

**PIECES DE RECHANGES
ERSATZTEILE
SPARE PARTS
PIEZAS DE RECAMBIO**

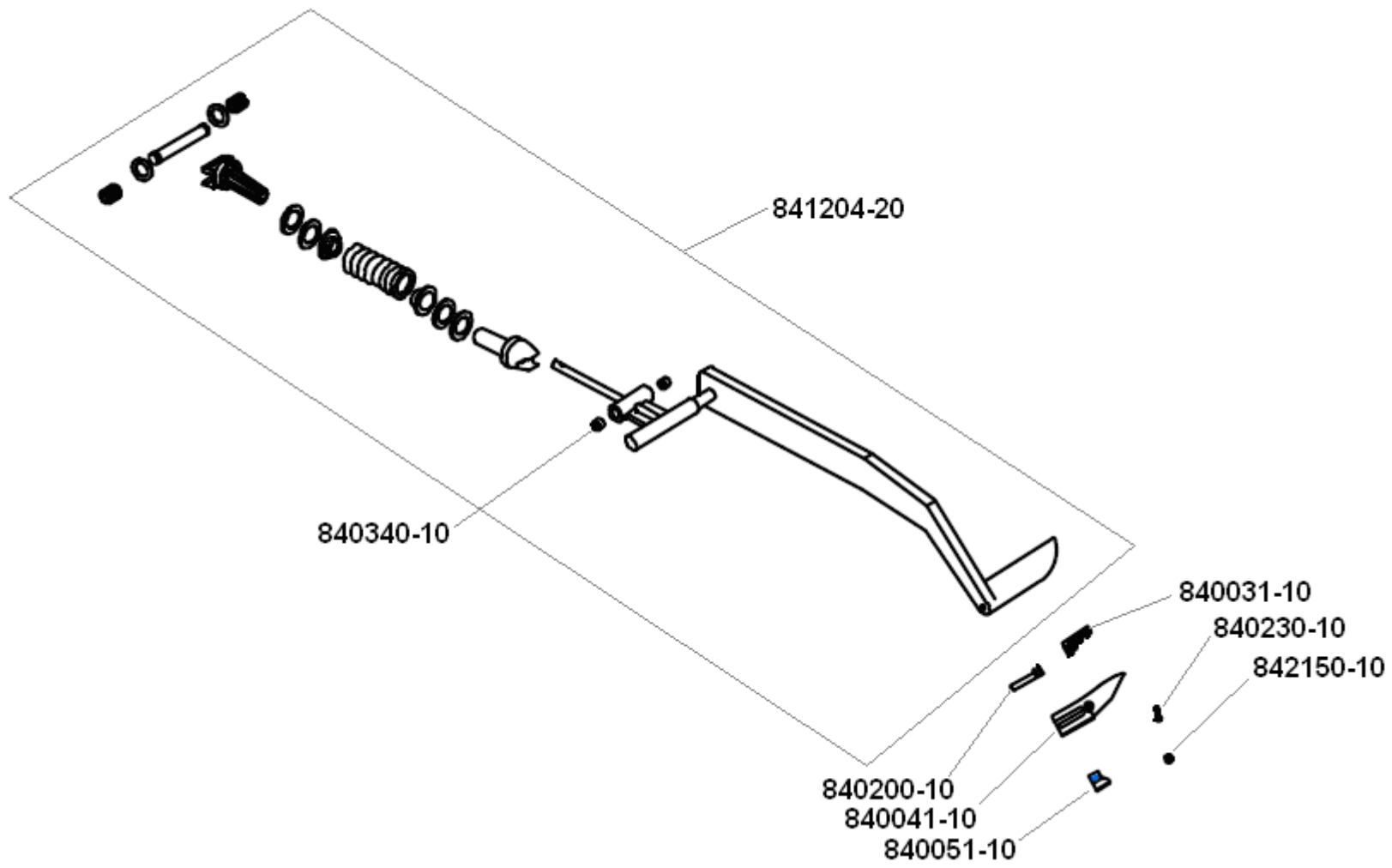


MODEL EP520

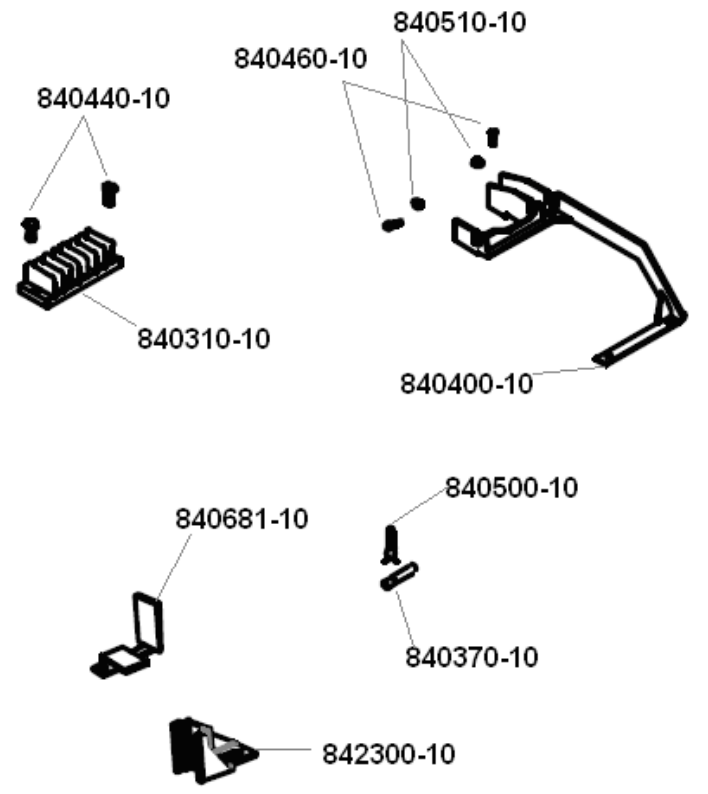
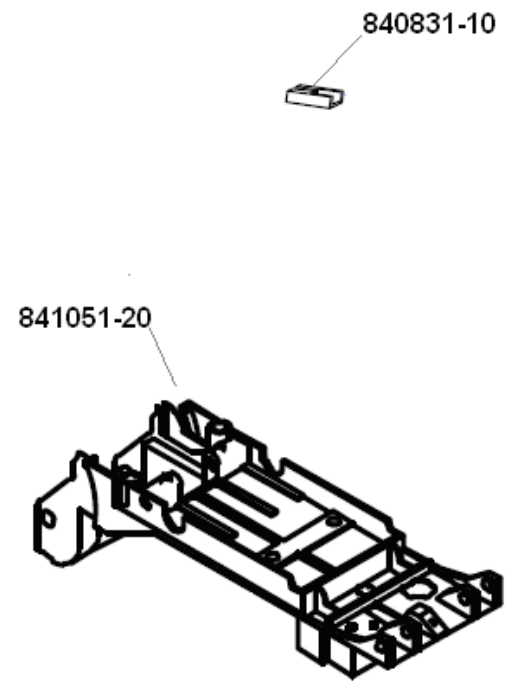
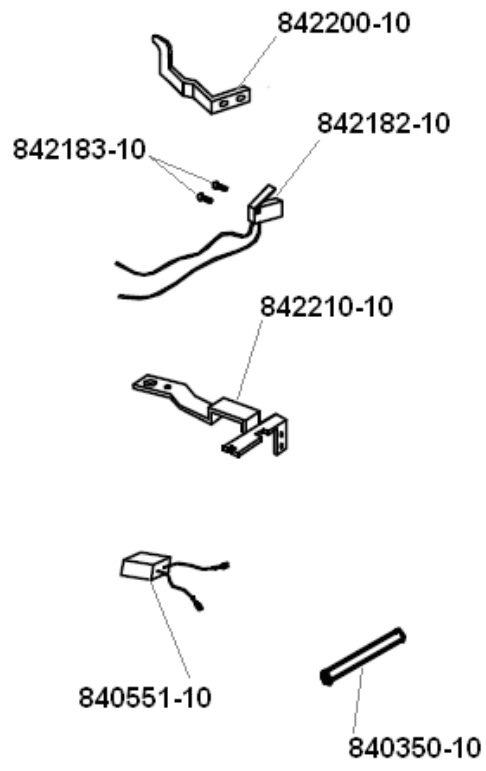
TABLE DES MATIERES / INHALTSVERZEICHNIS / INDEX / TABLA DE MATERIAS

1. POIGNEE MOBILE / BEWEGLICHER GRIFFE / MOBIL HANDLE / MANIJA MOVIL
2. BRAS PRESSION / DRUCKARM / PRESSURE ARM / BRAZO PRESSION
3. CHASSIS / RAHMEN / FRAME / RASTIDOR
4. SEMELLE CHAUFFANTE / HEIZSOHLE / HEATING SHOE / SUELE CALENTADOR
5. PLANCHE / BÜGELBRETT / IRONING BOARD / PLANCHA
6. ACCESSOIRES / ZUBEHÖR / ACCESORIES / ACCESORIOS
7. VAP-O-JET / VAP-O-JET / VAP-O-JET / VAP-O-JET
8. PIECES PLASTIQUES / PLASTIK TEILE / PLASTIC PARTS / PIEZA PLASTICA

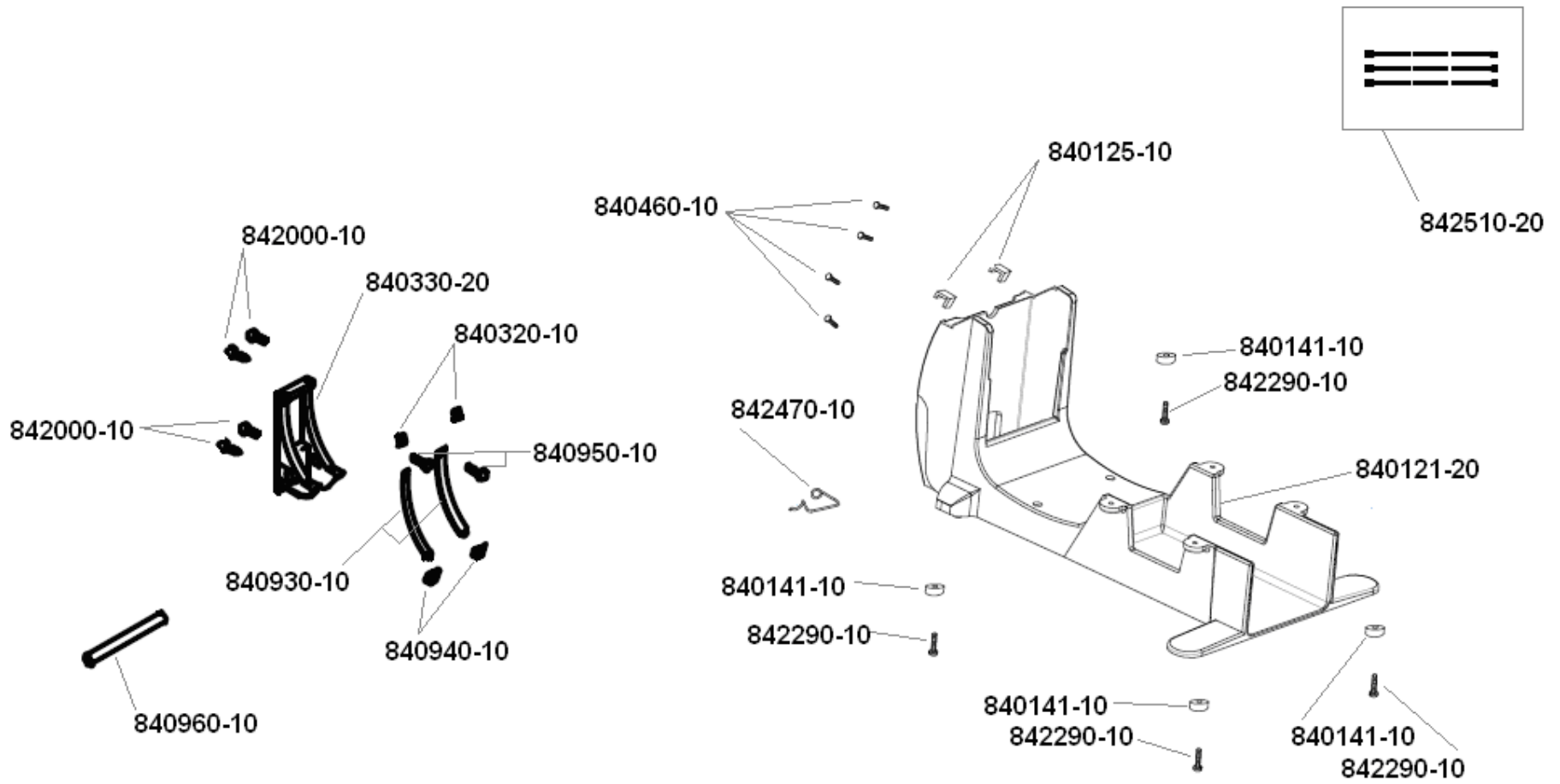
840031-10	SUPPORT AXE VEROUILLAGE SPERRAXESSTUTZE LOCKIN AXLE SUPPORT SOPORTE EJE CIERRE
840041-10	CACHE VEROUILLAGE SPERRDECKEL LOCKING COVER CUBIERTA CIERRE
840051-10	LOQUET VEROUILLAGE SPERRIEGEL LOCKING LATCH PASADOR CIERRE
840200-10	AXE VEROUILLAGE SPERRAXE LOCKING AXLE EJE CIERRE
840230-10	VIS 3x9.5 SCHRAUBE 3x9.5 SCREW 3x9.5 TORNILLO 3x9.5
841204-20	POIGNEE MOBILE COMPL. BEWOGLICHER GRIFF KOMPL. MOVABLE HANDLE COMPL. MANIJA MOVIL COMPL.
842150-10	CACHE VIS SCHRAUBENABDECKUNG SCREW CAP CUBIERTA TORNILLO
840340-10	GOUPILLE CYLINDRIQUE 8X50 ZYLINDERSTIFT 8X50 CYLINDRICAL PIN 8X50 CLAVIJA CILINDRICA 8X50



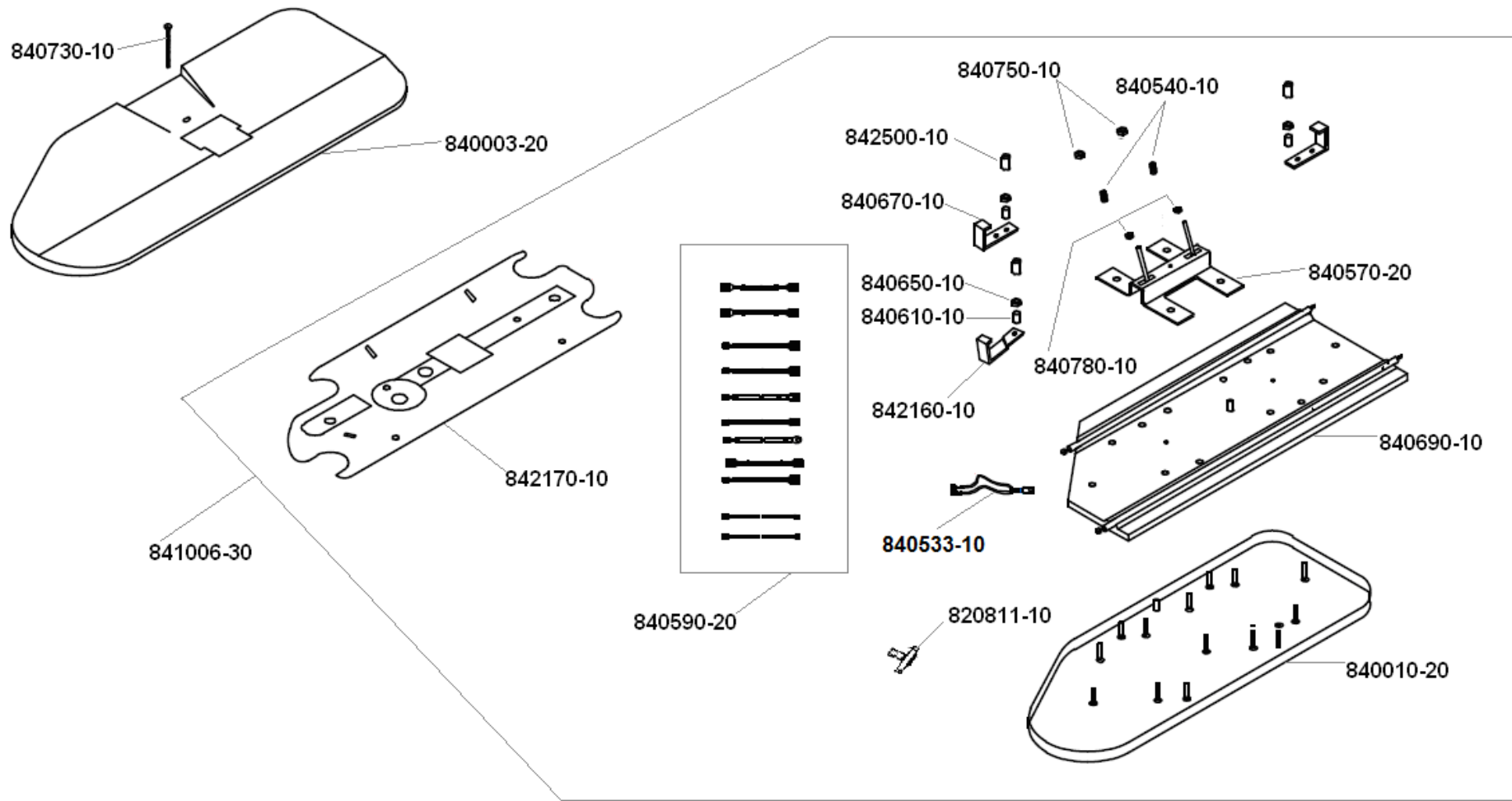
840310-10	SUPPORT CABLE CONNECTEUR AUSCLUSKABELHALTER CONNECTOR WIRE SUPPORT SOPORTE CABLE CONECTOR	840551-10	CONDENSATEUR KONDENSATOR CAPACITOR CONDENSADOR
840350-10	GOUPILLE CYLINDRIQUE 8X50 ZYLINDERSTIFT 8X50 CLAVIJA CILINDRICA 8X50 CYLINDRICAL PIN 8X50	840681-10	TRIAC TRIAC TRIAC TRIAC
840440-10	VIS 4x16 SCHRAUBE 4x16 SCREW 4x16 TORNILLO 4x16	842300-10	SUPPORT TRIAC TRAGER FUR TRIAC SUPPORT TRIAC SOPORTE TRIAC
840370-10	AXE POIGNEE FIXE FESTE GRIFF ACHSE FIXED HANDLE AXLE EJE MANIJA FIJA	840510-10	ECROU M5 MUTTER M5 NUT M5 TUERCA M5
841051-20	BRAS PRESSION COMPL. DRUCKARM KOMPL. PRESSURE ARM BRAZO PRESSION COMPL.	842200-10	SUPPORT CONTACT MICROSWITCH SCHALTHEBEL FUR MIKROSCHALTER SUPPORT CONTACT MICROSWITCH SOPORTE CONTACTO MICROSWITCH
840400-10	POIGNEE FIXE FESTER GRIFFS FIXED HANDLE MANIJA FIJA	842182-10	MICROSWITCH MIKROSCHALTER MICROSWITCH MICROSWITCH
840500-10	RESSORT AUTOBLOQUANT SELBSTSPERR FEDER SELF-LOCKING SPRING RESORTE AUTO-FREND	842183-10	VIS 2.5x10 SCHRAUBE 2.5x10 SCREW 2.5x10 TORNILLO 2.5x10
840460-10	VIS M5X14 SCHRAUBE M5X14 SCREW M5X14 TORNILLO M5X14	842210-10	SUPPORT MICROSWITCH MIKROSCHALTERTRAGER SUPPORT MICROSWITCH SOPORTE MICROSWITCH
840831-10	LOGEMENT TRANSFORMATEUR (230V) TRAFO-GEHAUSE (230V) TRANSFORMER HOUSING (230V) HABITACULO DEL TRANSFORMADOR (230V)		



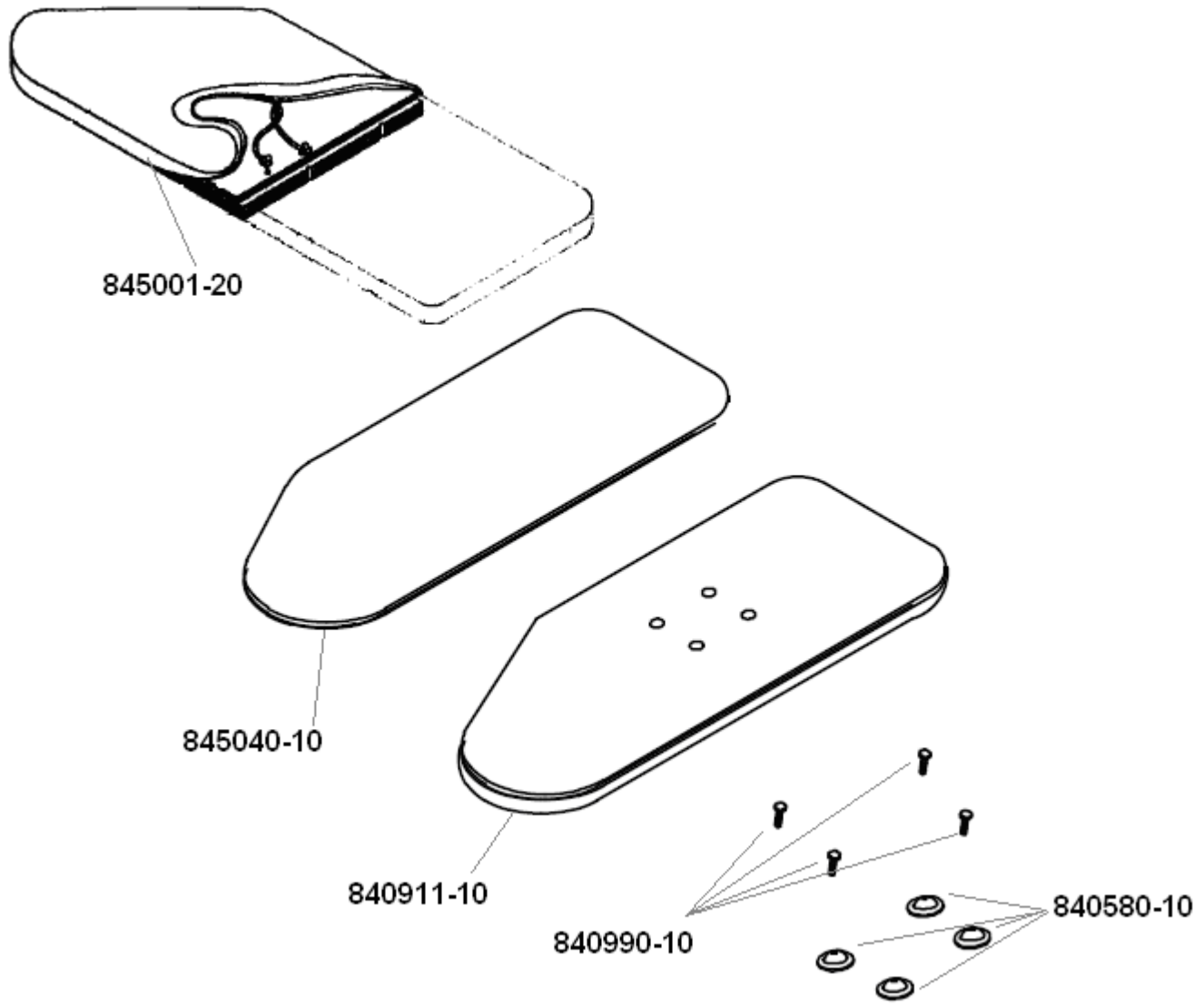
840121-20	CHASSIS RAHMEN FRAME RASTIDOR	840330-20	SUPPORT PISTE ROULEMENT LAGERBAHNSTUTZE BEARING TRACK SUPPORT SOPORTE PISTA RODAMIENTO
840125-10	BUTEE ANSCHLAG STOPPER BLOQUEADOR	840930-10	LAME PISTE ROULEMENT LAGERBAHNSCHIENE BEARING TRACK STRIP LAMINA PISTA RODAMIENTO
840141-10	PIED FUSS FOOT PIE	840940-10	BUTEE GALET ROLLENANSCHLAG ROLLER STOP TOPE RIDILLO
840460-10	VIS M5x14 SCHRAUBE M5x14 SCREW M5x14 TORNILLO M5x14	840950-10	VIS TAPTITE M3X6 TAPITESCHRAUBE M3X6 TAPTITE SCREW M3X6 TORNILLO TAPTITE M3X6
842290-10	VIS 3.5x6.5 SCHRAUBE 3.5x6.5 SCREW 3.5x6.5 TORNILLO 3.5x6.5	840960-10	GOUPILLE 8X90 PIN 8X90 PIN 8X90 CLAVIJA 8X90
842470-10	SERRE-CABLE METALLIQUE KABELKLAMMER WIRE CABLE CLAMP SUJETACABLES	840320-10	PLAQUE PISTE ROULEMENT LAGERBAHN BEARING TRACK PLATE PLAQUITA PISTA RODAMIENTO
842000-10	VIS PAN-HEAD M5X12 SCHRAUBE PAN-HEAD M5X12 SCREW PAN-HEAD M5X12 TORNILLO PAN-HEAD M5X12		
842510-20	CABLAGE CHASSIS (230V) RAHMEN KABEL (230V) FRAME WIRES (230V) RASTIDOR CABLES (230V)		



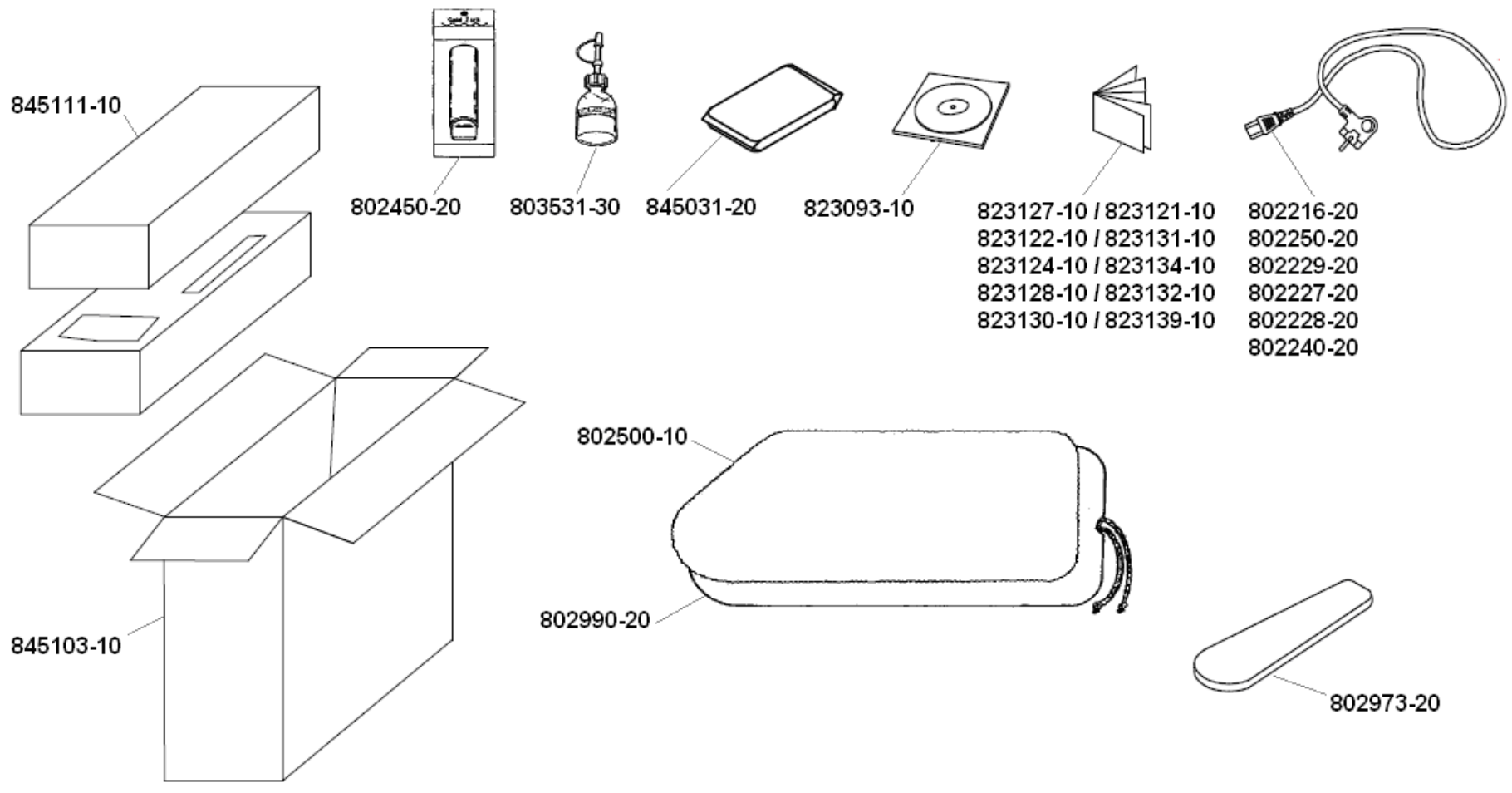
840003-20	COUVERCLE SEMELLE HEISOHLEDECKEL HEATING SHOE COVER CUBIERTA SUELA CALENT	840650-10	ECROU SP M5 MUTTER SP M5 NUT SP M5 TUERCA SP M5
840690-10	CORPS DE CHAUFFE (230V) HEIZKORPER (230V) HEATING ELEMENTS (230V) RESIST. CAL. (230V)	840670-10	SUPPORT COUVERCLE DECKEL HALTERUNG SUPPORT COVER SOPORTE CUBIERTA
840010-20	SEMELLE CHAUFFANTE PERALUMAN PERALUMAN HEITZSHOLE PERALUMAN HEITING SHOE SUELA CALENTADORA PERALUMAN	840750-10	ECROU AUTOBLOCANT M6 SELBSTSPERREMDE MUTTER M6 SELF-LOCKING NUT M6 TUERDA AUTO FRENO M6
820811-10	FUSIBLE THERMIQUE WARMSICHERUNG THERMO-FUSE FISIBILE TERMICO	840780-10	CIRCLIPS CIRCLIPS CIRCLIPS CIRCLIPS
840570-20	SUPPORT SUSPENSION SEMELE SOHLEAUFHANGEHALTERUNG SHOE HANGING SUPPORT PROTECCION SOPORTE CUBIERTA	841006-30	SEMELLE CHAUFFANTE ASS.PERALUMAN (230V) HEIZSHOLE KOMPLP.PERALUMAN (230V) HEATING SHOE COMPL.PERALUMAN (230V) SUELA CALENTADORA COMP.PERALUMAN (230V)
840590-20	CABLAGE SEMELLE (230V) SOHLEVERKABELUNG (230V) SHOE WIRES (230V) CABLES SUELA (230V)	842160-10	SUPPORT COUVERCLE DECKEL HALTERUNG SUPPORT COVER SOPORTE CUBIERTA
840610-10	TUBE AL. 12X5.5X12 TUBE AL. 12X5.5X12 TUBE AL. 12X5.5X12 TUBO AL. 12X5.5X12	842170-10	ISOLATION THERMIQUE THERMISCHE ISOLATION INSULATION THERMIQUE AISLAMIENTO THERMICO
840640-10	ECROU SP M4 MUTTER SP M4 NUT SP M4 TUERCA SP M4	840540-10	RESSORT ARTICULATION GELENKFEDER JOINT SPRINGS RESORTE ARTICULATION
840533-10	THERMO-SONDE THERMOSENSOR THERMO SENSOR TERMOSONDA	842500-10	TUYAU EN SILICONE SILICONE HUELSE SILICONOE HOSE SILICONA VAINA



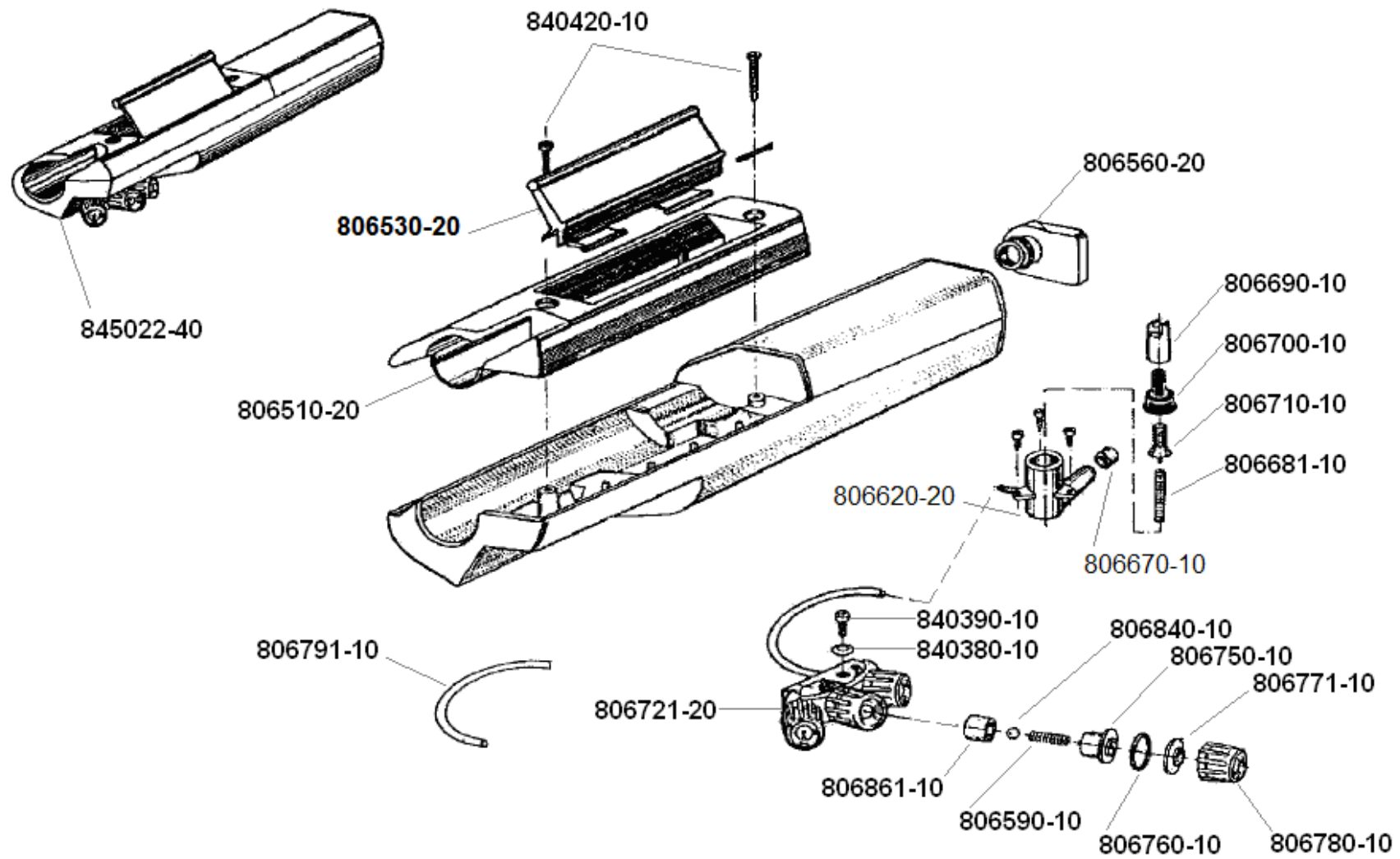
840911-10	PLANCHE BUGELBRETT IRONING BOARD PLANCHA
840990-10	VIS TETE CON. M5X20 SENKOPFSCHRAUBE M5X20 CON. SCREW M5X20 TORNILLO CONICO M5X20
845001-20	HOUSSE REPASSAGE BUGELTUCH IRONING COVER FUNDA PLANCHADO
845040-10	MOUSSE REMBOURRAGE SCHAUMSTOFFPOLSTER PADDING FOAM ESPUMA RELLENO
840580-10	RONDELLE CONIQUE UNTERLEGSCHIEBE CONICAL WASHER CONICO ARANDELA



802450-20	BATON NETTOYAGE SEMELLE HEITSOHLEN-REINIGER HEATING SHOE CLEANER LIMPIADOR SUELA CALENT.	802973-20	COUSSIN LONGUE MANCHE LANGES ARMELBRETT LONG SLEEVE CUSHION ALMOHADILLA BRAZO LARGO
803531-30	LIQUIDE PROTECTION SEMELLE SOHLENSCHUTZFLUSSIGKEIT HEATING SHOE PROT. LIQUID LIQUIDO PROTECCION SUELA	823093-10	DVD DVD DVD DVD
823127-10	INSTRUCTION MANUAL FRENCH	802216-20	CORD SET CE
823122-10	INSTRUCTION MANUAL ENGLISH	802250-20	CORD SET US
823121-10	INSTRUCTION MANUAL GERMAN	802229-20	CORD SET CN
823124-10	INSTRUCTION MANUAL SPANISH	802227-20	CORD SET GB
823131-10	INSTRUCTION MANUAL ITALIAN	802228-20	CORD SET S.A
823134-10	INSTRUCTION MANUAL SWEDISH	802240-20	CORD SET AUS
823128-10	INSTRUCTION MANUAL GREEK		
823132-10	INSTRUCTION MANUAL NORWEGIAN		
823130-10	INSTRUCTION MANUAL RUSSIAN		
823139-10	INSTRUCTION MANUAL CHINESE		
802500-10	PROTECTION INTERCALAIRE SCHUTZEINLAGE PROTECTIVE SHEET PROTECCION SUELA		
802990-20	HOUSSE ARTISANALE NOMEX GEWERBR-BUGEL TUCH NOMEX HANDICRAFT COVER NOMEX FUNDA ARTESANIA NOMEX		
845031-20	COUSSIN REPASSAGE BUGELKISSEN IRONING CUSHION COJIN PLANCHADO		
845103-10	CARTON EP520 KARTON EP520 CARDBOARD EP520 CARTON EP520		
845111-10	KIT COQUILLE SCHALEN SATZ SHELLS KIT COQUILLE KIT		



840420-10	VIS TARAUEUSE 3.5X25 GEWINDESCHRAUBE 3.5X25 TAPPING SCREW 3.5X25 TORNILLO CORTAPOSCA 3.5X25	845022-40	VAPOJET VAPOJET VAPOJET VAPOJET	806861-10	SIEGE OBTURATEUR ABDICHTUNGSSITZSTUTZE OBTURATOR SEAT APOVO ASIEN TO ABTURADOR
806530-20	LEVIER COMMANDE V-J-O BEDIENUNGSHEBEL V-J-O OPERATING LEVER V-J-O PALANCA MANDO V-J-O	806780-10	ECROU DE BUSE DUSENMUTTER NOZZLE NUT TUERCA BOQUILLA	806590-10	RESSORT FEDER SPRING RESORTE
806510-20	COUVERCLE HUMIDIFICATEUR SPRUGERATEDECKEL VAPORIZER COVER CUBIERTA VAPORIZADOR	806690-10	CORPS PISTON KOLBENKÖRPER PISTON BODY CUERPO PISTON	806760-10	O-RING BUSE DUSE O-RING NOZZLE O-RING O-RING BOQUILLA
840620-10	AXE LEVIER COMMANDE BEDIENUNGSHEBELACHSE CONTROL LEVER AXLE EJE PALANCA MANDO	806700-10	PISTON KOLBEN PISTON PISTON	806780-10	ECROU DE BUSE DUSENMUTTER NOZZLE TUERCA BOQUILLA
806791-10	TUYEAU REFOULEMENT RUECKFLUSSSCHLAUCH BACKING TUBE TUBO DESGARDA	806710-10	GUIDE PISTON KOLBENFUHTUNG PISTON GUIDE GUIA PISTON	806670-10	JOINT ASPIRATION ANSAUGDICHTUNG SUCTION JOINT JUNTA ASPIRACION
806721-20	CORPS BUSES DUSENKORPER NOZZLE BODY CUERPO BOQUILLAS	806681-10	RESSORT POMPE PUMPENFEDER PUMP SPRING RESOTE BOMBA	806620-20	CORPS POMPE PUMPEGEHAUSE PUMP BODY CUERPO BOMBA
840390-10	VIS TARAUEUSE 3.5X9.5 GEWINDECHRAUBE 3.5X9.5 TAPPING SCREW 3.5X9.5 TORNILLO CORTAPOSCA 3.5X9.5	806840-10	BILLE KUGEL BALLE BOLA		
840380-10	RONDELLE BOMBEE 4X0.4 SPANNSCHEIBE 4X0.4 CONICAL WASHER 4X0.4 ARANDELA BOMBADA 4 X0.4	806750-10	DISTRIBUTEUR BUSE DUSENVERTEILER NOZZLE DISTRIBUTOR DISTRIBUIDOR BOQUILLA		
806560-20	BOUCHON BOITIER GEHAUSE VERSCHLUSS CASING CAP PAPON CUERPO	806771-10	BUSE DUSE NOZZLE BOQUILLA		



840190-10	VIS 3x9.5 SCHRAUBE 3x9.5 SCREW 3x9.5 TORNILLO 3x9.5	840802-10	CONDUIT LUMIERE LICHTLEITER LIGHT CONDUCTOR CONDUCTOR DE LUZ
840230-10	VIS 3x7.5 SCHRAUBE 3x7.5 SCREW 3x7.5 TORNILLO 3x7.5	840884-10	COUVERCLE RECTANGULAR (230V) RECHTECKIGE ABDECKUNG (230V) RECTANGULAR COVER (230V) TAPA RECTANGULAR (230V)
840600-10	VIS 4x24 SCHRAUBE 4x24 SCREW 4x24 TORNILLO 4x24	840805-20	CIRCUIT (230V) CIRCUIT (230V) CIRCUIT (230V) CIRCUITO (230V)
840630-10	VIS 3.5x15 SCHRAUBE 3.5x15 SCREW 3.5x15 TORNILLO 3.5x15	842322-10	VIS 3x6 SCHRAUBE 3x6 SCREW 3x6 TORNILLO 3x6
840853-20	CACHE ARRIERE (230V) HINTERDECKEL (230V) REAR COVER (230V) CUBIERTA POSTERIOR (230V)	840893-20	PANNEAU CONTROLE (230V) EINSTELLUNGTADEL (230V) CONTROL PANEL (230V) PANEL DE CONTROL (230V)
840861-10	COUVERCLE POIGNEE SUPERIEURE (230V) OBERER GRIFFDECKEL (230V) UPPER HANDLE COVER (230V) CUBIERTA MANIJA SUPERIOR (230V)	842340-10	BOITIER EXTERIEUR (230V) LED-GEHAUSE (230V) OUTDOOR HOUSING (230V) CAJA EXTERIOR (230V)
840870-10	COUVERCLE POIGNEE INFERIEURE (230V) UNTERER GRIFFDECKEL (230V) LOWER HANDLE COVER (230V) CUBIERTA MANIJA INFERIOR (230V)	842330-20	GROUPE LED (230V) LED-GRUPPE (230V) LED GROUPE (230V) GRUPO LED (230V)
842150-10	CACHE VIS SCHRAUBENABDECKUNG SCREW CAP CUBIERTA TORNILLO	842350-10	VERRE D'ECLAIRAGE GLASABDECKUNG LIGHTING GLASS CRISTAL DE ALUMBRADO
840920-20	SOCLE CONNECTEUR VERBINDUNGSOCKEL CONNECTOR BASE BASE CONECTORA	842145-20	CABLAGE CIRCUIT (230V) CIRCUIT KABEL (230V) CIRCUIT WIRES (230V) CIRCUITO CABLES (230V)

