

PIÈCES DE RECHANGE
ERSATZTEILE
SPARE PARTS
PIEZAS DE RECAMBIO

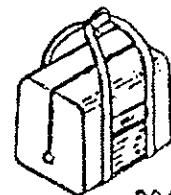
elna 604^F 614^D/_E 624^D/_E

MODIFICATIONS OF SPARE PARTS CATALOGUE 396 900-40

ELNA 604 614 624

- Page 1 : TAV. No. for
10760 = 396'018-99
10806 = 396 019-00
10807 = 396'019-01
- Page 4 : TAV. No. for
5200 = 396'019-11
- Page 11 : Correct TAV. No. for
10782 = 396'001-70 and not 396'003-67
10783 = 396'001-71 and not 396'003-68
10784 = 396'160-72 and not 396'009-69
- Page 12 : Correct designation for :
4597 (396'001-28) is : **Tape guide with cording**

Suppress No. 4736 and add
TAV. No. 396'001-62
also on the illustration
Correct designation is :
Carrying bag (suppress: not shown)



396001-62

Correct designation for :
10352 (396'001-81) is : **Attachment holder (2)**

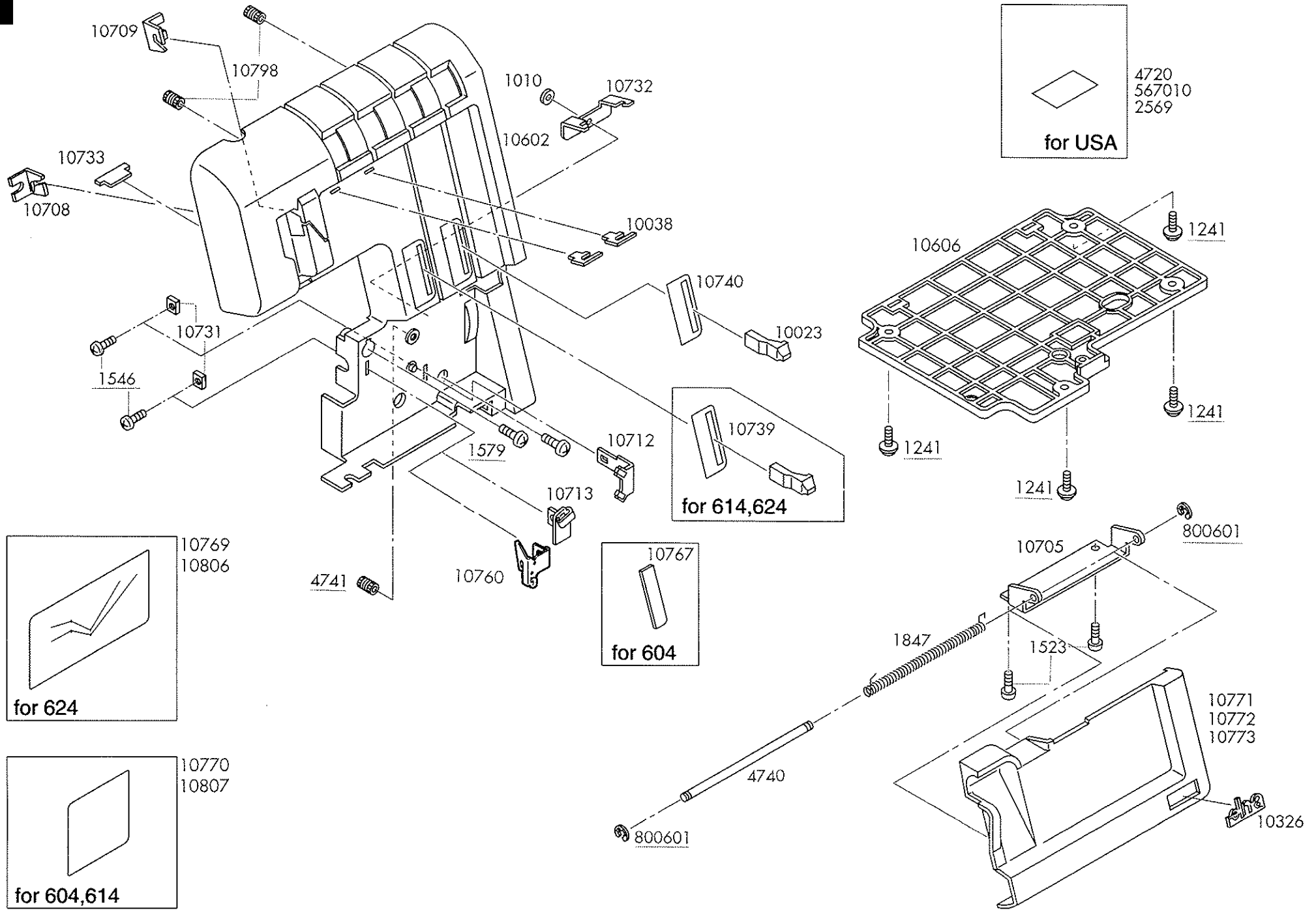
Correct designation for :
10360 (396'001-85) is : **Tape guide cording (new
version)**

July 1995

INDEX

1. Front cover, front door, base plate
2. Rear / side covers, spool stand and antenna
3. Tension unit
4. Motors, foot-controls, cords and light bulbs
5. Casing
6. Presser bar, presser foot lever, needle bar, upper shaft
7. Handwheel, motor belt, mainshaft, eccentrics and counterweights
8. Upper / lower loopers, looper axles and arm
9. Feed assembling system, moving and fixed blades
10. Feed-dogs, needle plate, instant rolled hem device
11. Standard accessories
12. Optional accessories and attachments
13. Parts number index

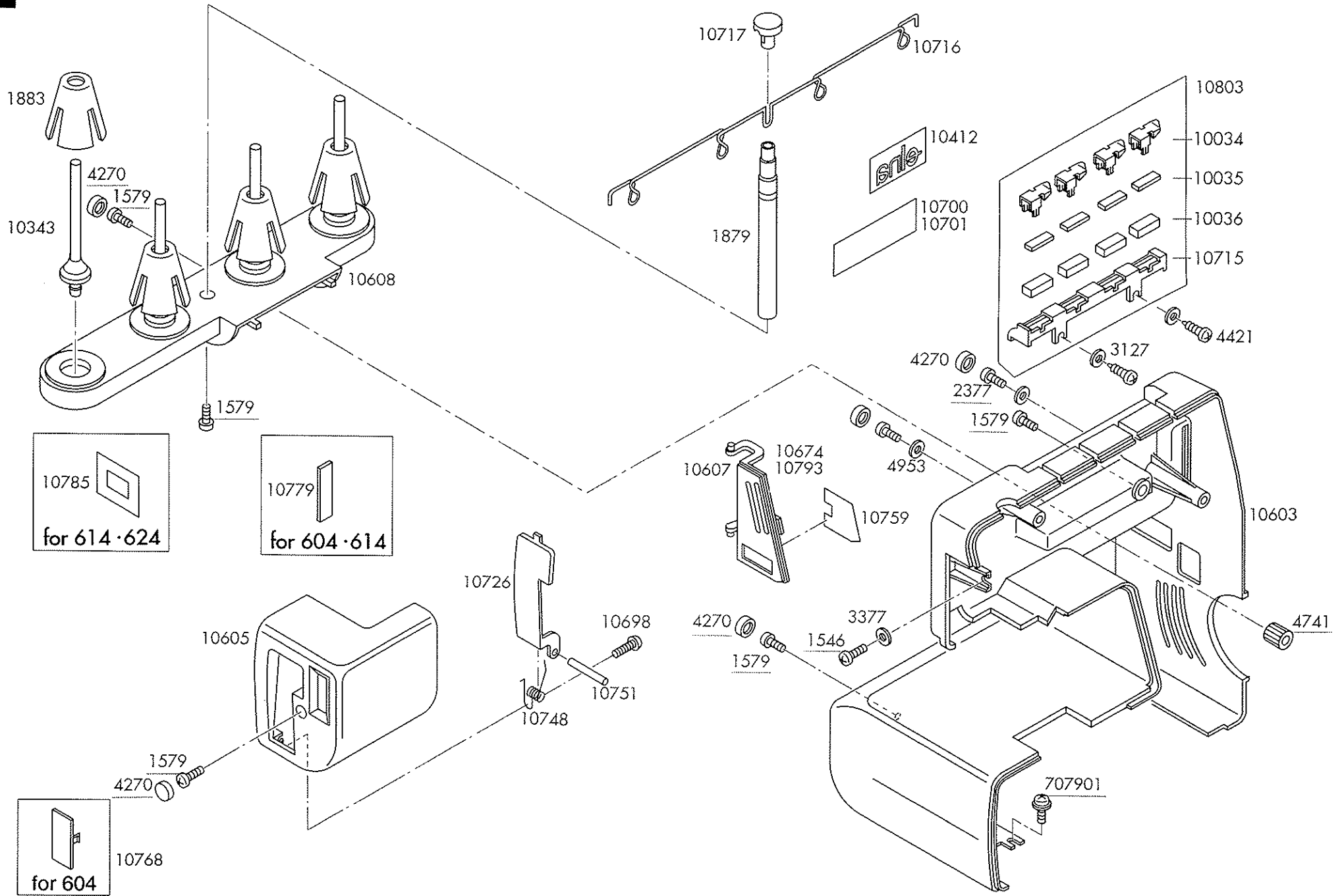
1



PART NO.	TAVARO NO.	NAME OF PART
1010	396012-66	Clip ring #4
<u>1241</u>	395049-19	Screw - TPM4x10
<u>1523</u>	395052-18	Screw M4x8
<u>1546</u>	395052-37	Screw M4x6
<u>1579</u>	395052-57	Screw M4x10
1847	396003-13	Front flap spring
2569	396018-76	Face cover caution mark for France
4720	396012-31	Face cover caution label (UL)
4740	396012-84	Front flap hinge axle
<u>4741</u>	396018-77	Screw SP M4x7.4
10023	396016-38	Feed control knob
10038	396016-41	Upper thread guide
10326	396015-27	elna brand name plate
10602	396018-08	Front cover
10606	396018-09	Base plate
10705	396018-10	Front flap hinge
10708	396018-11	Left thr. take-up lever cover guide
10709	396018-12	Right thr. take-up lever cover guide
10712	396018-13	Thread guide (2)
10713	396018-14	Thread guide (3)
10731	396018-15	Square nut
10732	396018-16	Front cover thread guide bracket
10733	396018-17	Needle thread guide plate
10739	396018-18	D.F. guide mark, type 2
10740	396018-19	S.L. guide mark, type 2
10767	396018-20	D.F. slide cap
10769	396018-21	Threading chart 624
10770	396018-22	Threading chart 604, 614
10771	396018-23	Front door, 624
10772	396018-24	Front door, 614
10773	396018-25	Front door, 604
10798	396018-26	Lock screw M3x4.8
567010	396008-36	Face cover caution mark for Canada
<u>800601</u>	395464-00	Snap ring #3

PART NO.	TAVARO NO.	NAME OF PART
10760		Threading guide hook
10806		Therading chart 624,type2
10807		Threading chart 604,614,type2

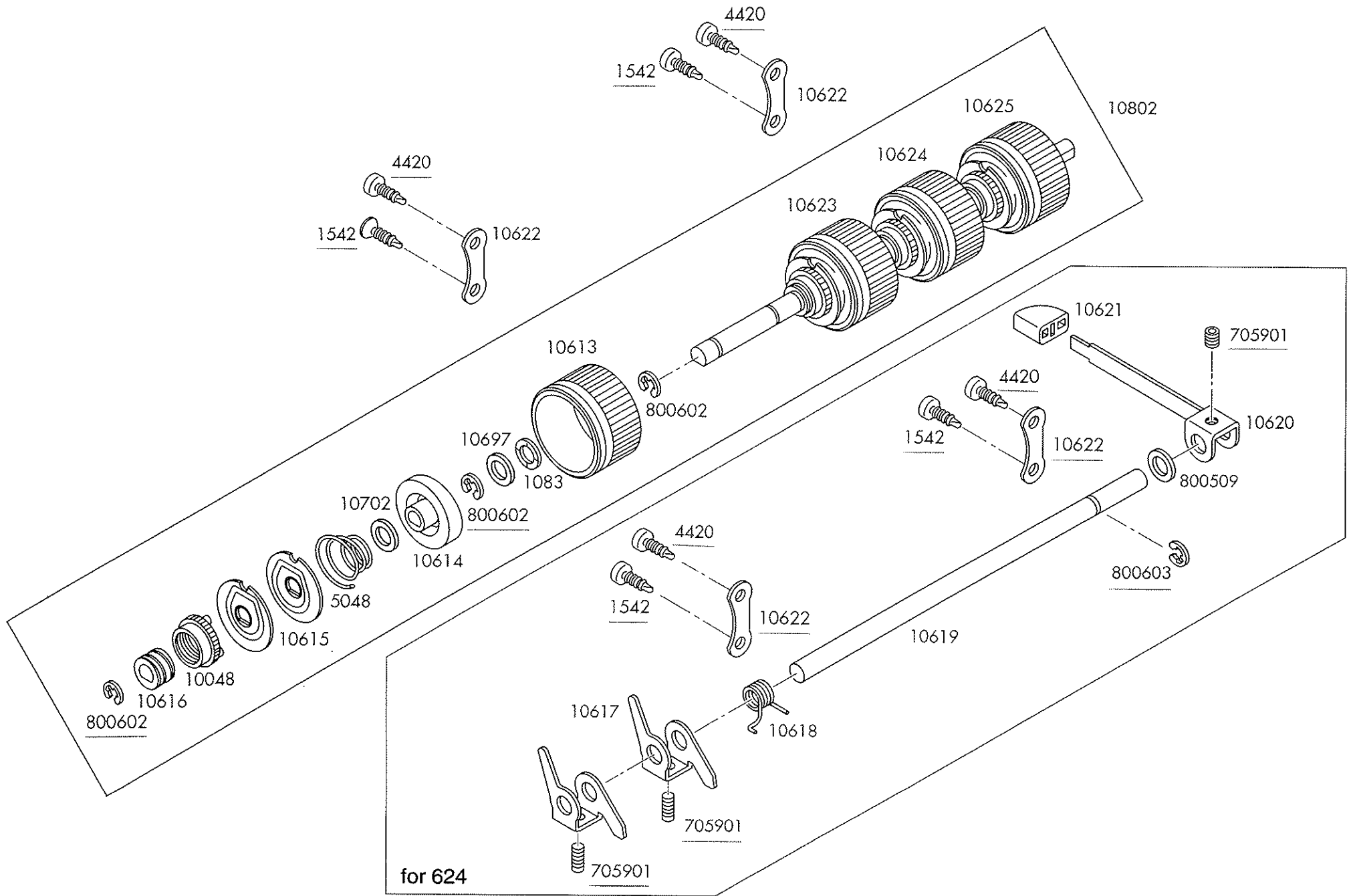
PART NO.	TAVARO NO.	NAME OF PART
----------	------------	--------------



PART NO.	TAVARO NO.	NAME OF PART
1546	395052-37	Screw M4x6
1579	395052-57	Screw M4x10
1879	396015-44	Thread guide pole
1883	396002-10	Spool holder
2377	396004-75	Screw M3x8
3127	396007-09	Washer 3x8x0.5
3377	396008-47	Washer 4x8x0.8
4270	396010-72	Cap ϕ 8 white
4421	396011-39	Tapping screw M3x8.5
4741	396018-77	Screw SP M4x7.4
4953	396012-58	Washer 2.7x6.5x0.5
10034	396015-53	Top thread guide plate ,upper
10035	396015-54	Top thread guide, bottom
10036	396015-55	Top thread guide, cushion
10343	396015-61	Spool pin, snap-on
10412	396015-62	elna mark for back cover
10603	396017-67	Back cover
10605	396017-68	Side cover
10607	396017-69	Lamp cover
10608	396017-70	Spool pin base
10674	396017-71	Reflex plate for Canada
10698	396018-04	Tapping screw M4x6P
10700	396017-72	Serial number plate, 120V
10701	396017-73	Serial number plate, 240V
10715	396018-80	Top thread guide, base
10716	396017-74	Thread guide beam
10717	396017-75	Pole/beam joint
10726	396017-76	Moving blade release lever
10748	396017-77	Moving blade release lever spring
10751	396017-78	Moving blade release lever conn. pin
10759	396017-79	Reflex plate
10768	396017-80	Cutting width dial cap
10779	396017-81	D.T. release lever cap
10785	396017-82	Cutting width indication line
10793	396017-83	Reflex plate for U.S.A.
10803	396017-84	Thread guide stand, assem.
707901	395430-00	Screw TPM 4x8

PART NO.	TAVARO NO.	NAME OF PART
----------	------------	--------------

PART NO.	TAVARO NO.	NAME OF PART
----------	------------	--------------



PART NO.	TAVARO NO.	NAME OF PART
1542	395052-34	Flash screw M4x8
1083	395047-24	Friction washer 6x14x0.15
<u>4420</u>	396011-38	Tapping screw M4x8P
5048	396012-95	Tension spring ϕ 1
10048	396014-93	D.T. nut
10613	396018-81	Tension knob, blue
10614	396018-82	D.T. cam
10615	396018-83	Tension discs
10616	396018-84	D.T. screw
10617	396018-58	Tension release crank
10618	396018-59	Tension release lever spring
10619	396018-60	Tension release axle
10620	396018-61	Tension release lever
10621	396018-62	Tension release lever tip
<u>10622</u>	396018-63	Tension support plate
10623	396018-85	Tension knob, red
10624	396018-86	Tension knob, yellow
10625	396018-87	Tension knob, green
10697	396018-88	Washer ϕ 6x10.5x0.5
10702	396018-89	Poly washer ϕ 8x2.5
10802	396018-64	D.T., assem.
<u>705901</u>	395421-00	Grub screw M4x5
800509	395462-00	Polyslider thrust washer 9.5x6.2x0.5
800602	395465-00	Snap ring #4
<u>800603</u>	395466-00	Snap ring #5

PART NO.	TAVARO NO.	NAME OF PART
----------	------------	--------------

PART NO.	TAVARO NO.	NAME OF PART
----------	------------	--------------

10804

10805

1523

10762

10758

10757

705901

705901

10688

10688

4567

3470

1731

1731

1279

1579

1579

1241

1279

2377

2377

4568

4566

10763

4402

3920

707908

4459

522005-1

10787

10741

10347

10746

10756

10744

10745

800601

1579

4430

4431

4432

4434

5183

3820

3822

3824

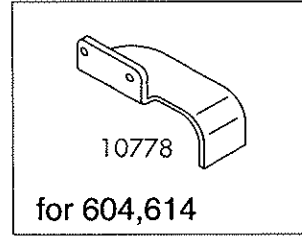
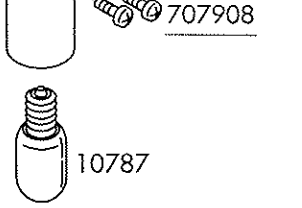
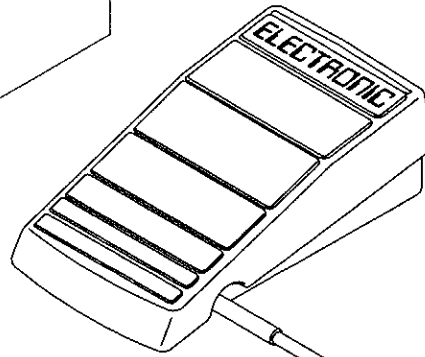
3823

5200

10778

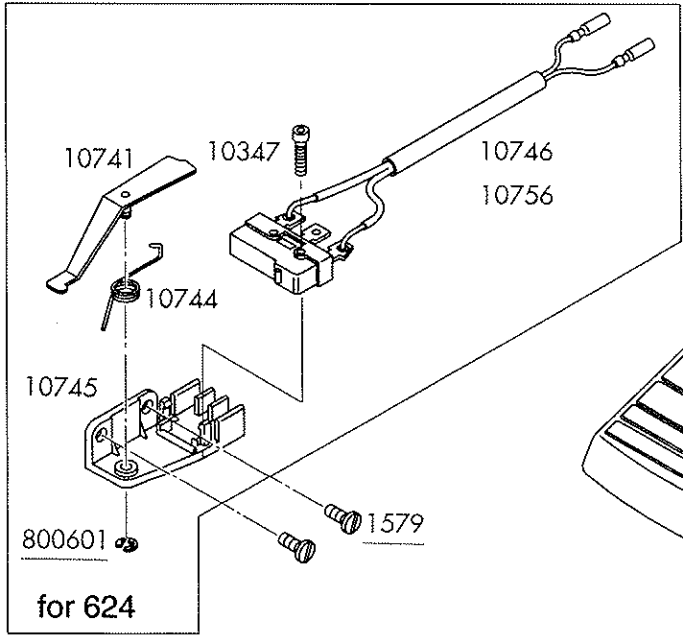
for 604,614

for 624

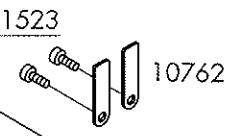


10778

for 604,614

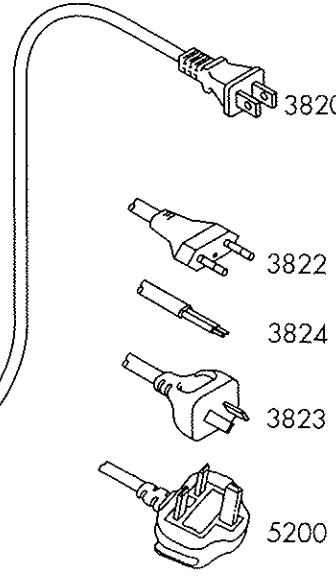
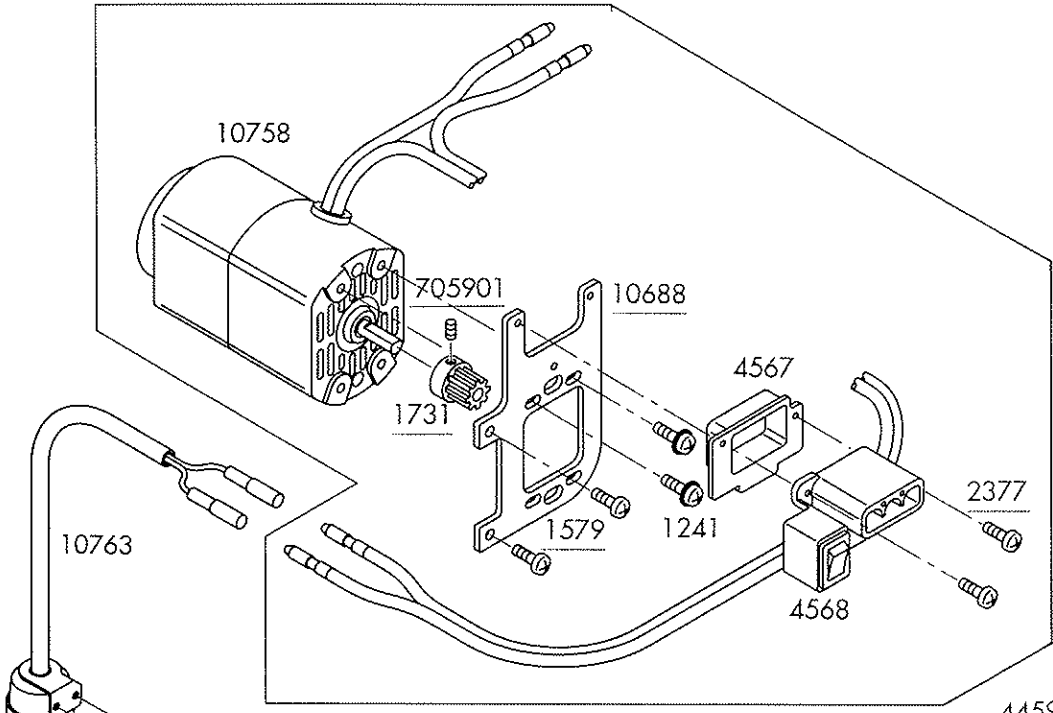
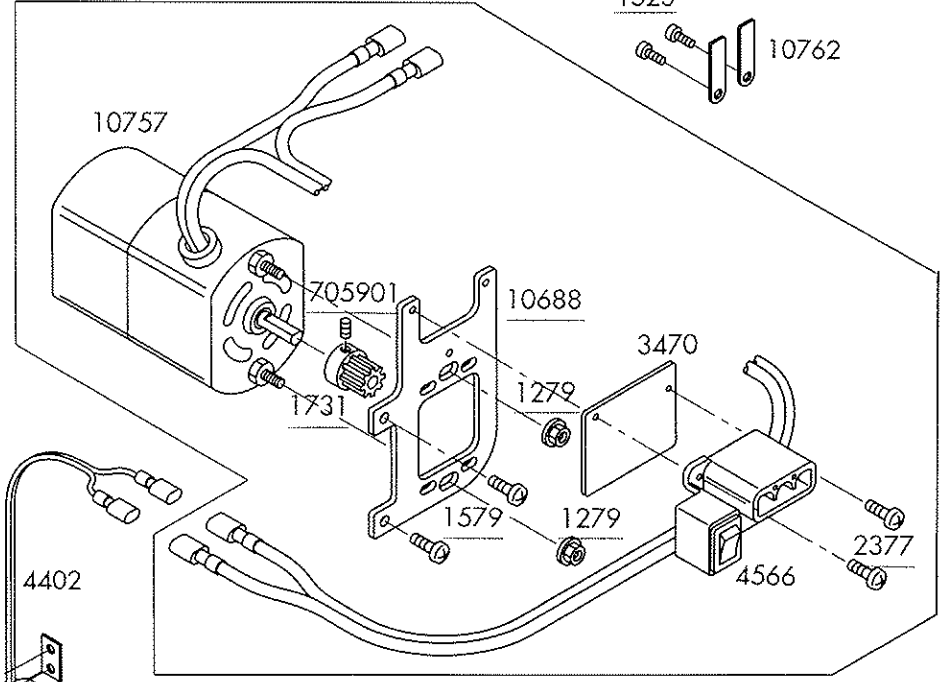


for 624



1523

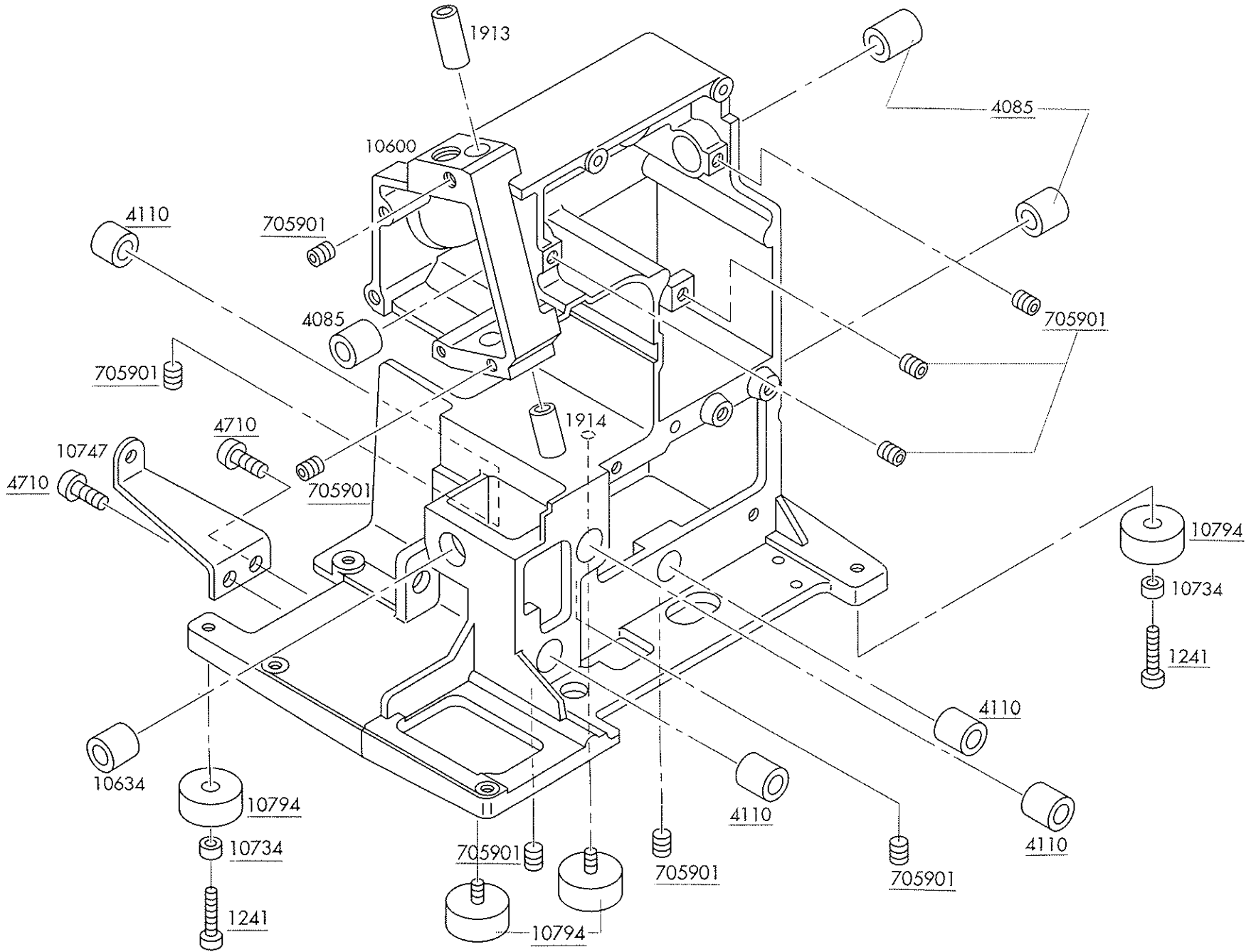
10762



PART NO.	TAVARO NO.	NAME OF PART
1241	395049-19	Screw TPM 4x10
1279	395049-20	Motor set nut M4
<u>1523</u>	395052-18	Screw M4x8
<u>1579</u>	395052-57	Screw M4x10
1731	395053-40	Motor pulley M8
2377	396004-75	Screw M3x8
3470	396008-53	Insulation plate
3820	396008-22	Cord set CSA 115V
3822	396008-24	Cord set CEE 220V
3823	396008-25	Cord set SAA/NZ 240V
3824	396008-26	Cord set SA/BS
3920	396018-78	Lamp holder
4402	396011-29	Lamp set 120V E-12
4430	396011-43	Foot cont. 4C-335G CEE type A
4431	396011-44	Foot cont. 4C-335G SA/BS type B
4432	396011-45	Foot cont. 4C-335G SAA/NZ type I
4434	396011-46	Foot cont. 4C-335B CSA
4459	396014-52	Screw
4566	396011-78	Wired TB/SW set 115V
4567	396011-79	Condenser cover 230-240V
4568	396011-80	Wired TE/SW set 220-240V
5183	396018-79	Foot control, for U.K.
5200		Cord set GB
10347	396016-97	Screw M2x10
<u>10688</u>	396018-91	Motor bracket
10741	396018-38	Switch lever, assem.
10744	396018-39	Switch lever spring
10745	396018-40	Micro switch base
10746	396018-65	Micro switch 230V
10756	396018-66	Micro switch 120V
10757	396018-92	Motor 120V
10758	396018-90	Motor 230V
10762	396018-67	Cord support plate
10763	396018-68	Lamp set 230V
10778	396018-69	Protection cover 604, 614
10787	396013-55	Light bulb 220-240V
10804	396018-70	Motor set 230V
10805	396018-71	Motor set 120V

PART NO.	TAVARO NO.	NAME OF PART
522005-1	396013-56	Light bulb 120V
<u>705901</u>	395421-00	Grub screw M4x5
<u>707908</u>	395049-39	Screw M3x5
<u>800601</u>	395464-00	Snap ring #3

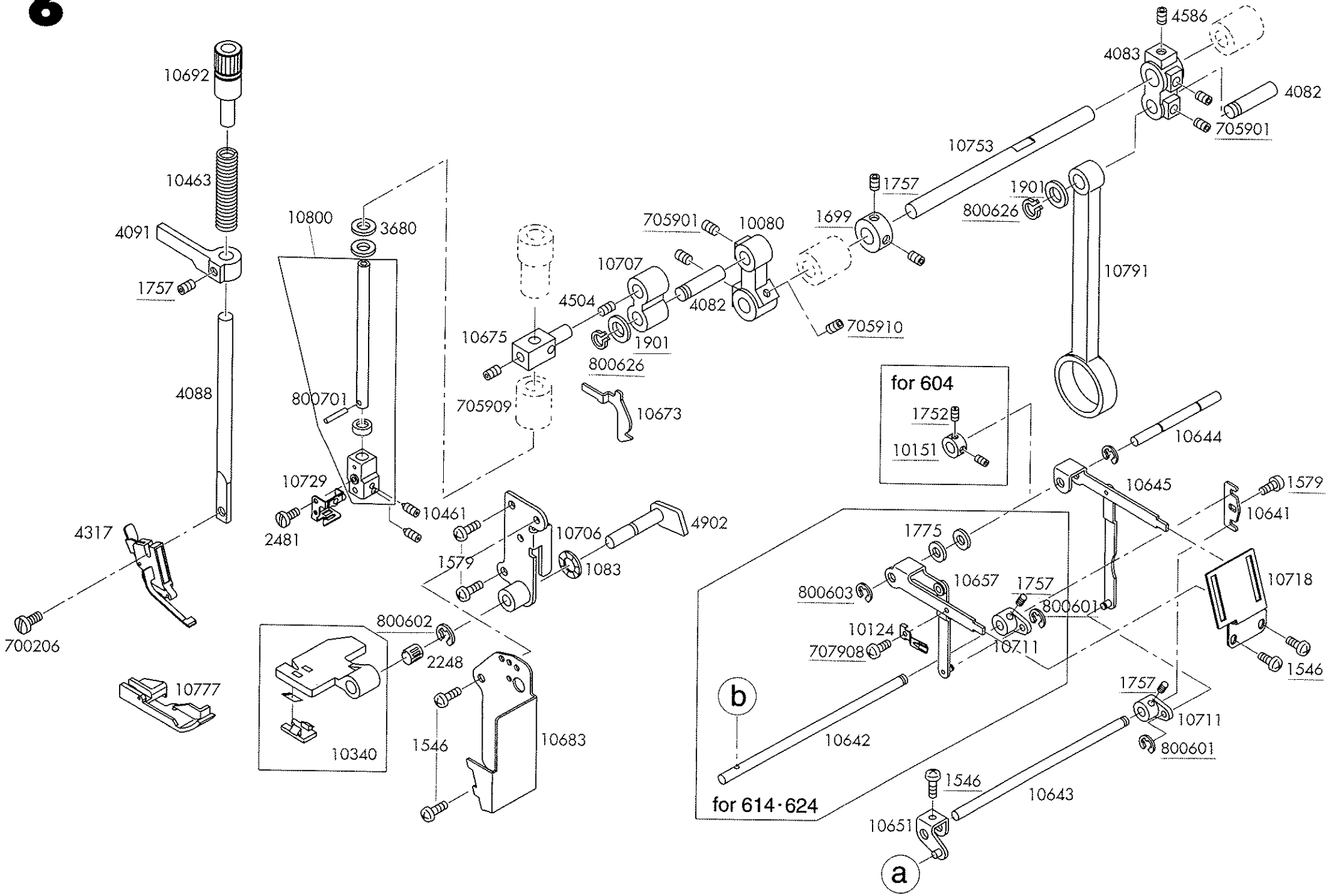
PART NO.	TAVARO NO.	NAME OF PART
----------	------------	--------------



PART NO.	TAVARO NO.	NAME OF PART
<u>1241</u>	395049-19	Screw - TPM4x10
1913	396003-67	Upper needle bar bearing
1914	396003-68	Lower needle bar bearing
<u>4085</u>	396009-69	Bearing
<u>4110</u>	396009-90	Looper axle bearing
<u>4710</u>	396012-29	Hexagon bolt M4x6
10600	396017-50	Casing
10634	396017-51	Bearing
<u>10734</u>	396017-52	Spacer M4x3.5
10747	396017-53	Back cover bracket support
<u>10794</u>	396017-54	Rubber foot
<u>705901</u>	395421-00	Grub screw M4x5

PART NO.	TAVARO NO.	NAME OF PART
----------	------------	--------------

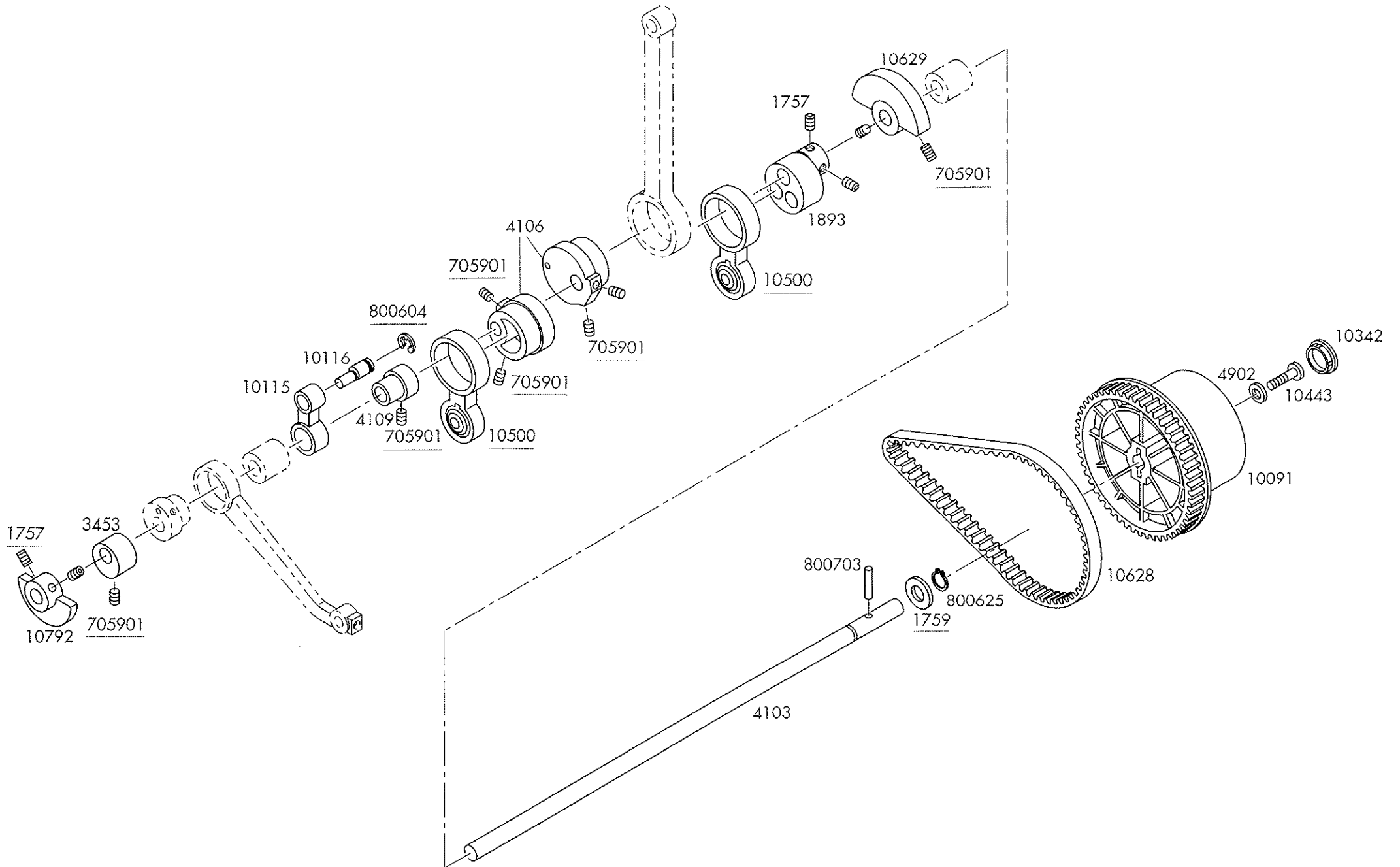
PART NO.	TAVARO NO.	NAME OF PART
----------	------------	--------------



PART NO.	TAVARO NO.	NAME OF PART
<u>1083</u>	395047-24	Friction washer 6x14x0.15
<u>1546</u>	395052-37	Screw M4x6
<u>1579</u>	395052-57	Screw M4x10
<u>1699</u>	395053-23	Lower shaft collar
<u>1752</u>	395053-58	Grub screw M3x3
<u>1757</u>	395053-63	Grub screw M4x4
1775	395053-74	Washer 6x13x1
<u>1901</u>	396003-55	Washer STW-FT 7x1
2248	395054-50	Knob spring - 101-103-104
<u>2481</u>	396002-15	Set screw-type 2
3680	396008-11	Felt washer 7x13x2
4082	396009-66	Needle bar link pin
4083	396009-67	Needle bar crank right
4088	396009-72	Presser bar
4091	396009-74	Presser bar guide
4092	396009-75	Presser bar lift crank
4317	396010-92	Shank holder, assem.
4504	396011-57	Grub screw M3x8
4586	396011-88	Allen screw M5x8 flat tip
10080	396014-57	Needle bar crank (L)
10124	396014-91	Spring plate
<u>10151</u>	396014-41	Collar #6
10340	396014-76	Presser foot lever, assem.
10461	396014-81	Set screw M3x6
10463	396014-74	Presser bar spring
10641	396017-85	Shaft guide plate
10642	396017-86	D.F. axle
10643	396017-87	S.L. axle
10644	396017-88	S.L. lever conn. axle
10645	396017-89	S.L. lever assem.
10651	396017-90	S.L. lever axle rocker (L) assem.
10657	396017-91	D.F. lever assem.
10673	396017-92	Needle thread take-up lever
10675	396017-93	Needle bar stud
10683	396017-94	Reflex partition plate
10692	396017-95	Foot presser control knob
10706	396017-96	Lamp cover hinge bracket

PART NO.	TAVARO NO.	NAME OF PART
10707	396017-97	Needle bar link
10711	396017-98	S.L. lever axle rocker, right
10718	396017-99	D.F./S.L. lever stopper plate.
10729	396018-00	Needle clamp thread guide
10753	396018-01	Upper shaft
10777	396013-53	Presser foot
10791	396018-02	Crank rod
10800	396018-03	Needle bar, assem.
700206	395402-00	Screw #7x8
<u>705901</u>	395421-00	Grub screw M4x5
705909	395047-98	Grub screw M5x5
<u>705910</u>	395047-99	Screw
<u>707908</u>	395049-39	Screw M3x5
<u>800601</u>	395464-00	Snap ring #3
<u>800602</u>	395465-00	Snap ring #4
<u>800603</u>	395466-00	Snap ring #5
<u>800626</u>	395128-24	Clip ring #7
800701	396012-27	Roll pin 2x10

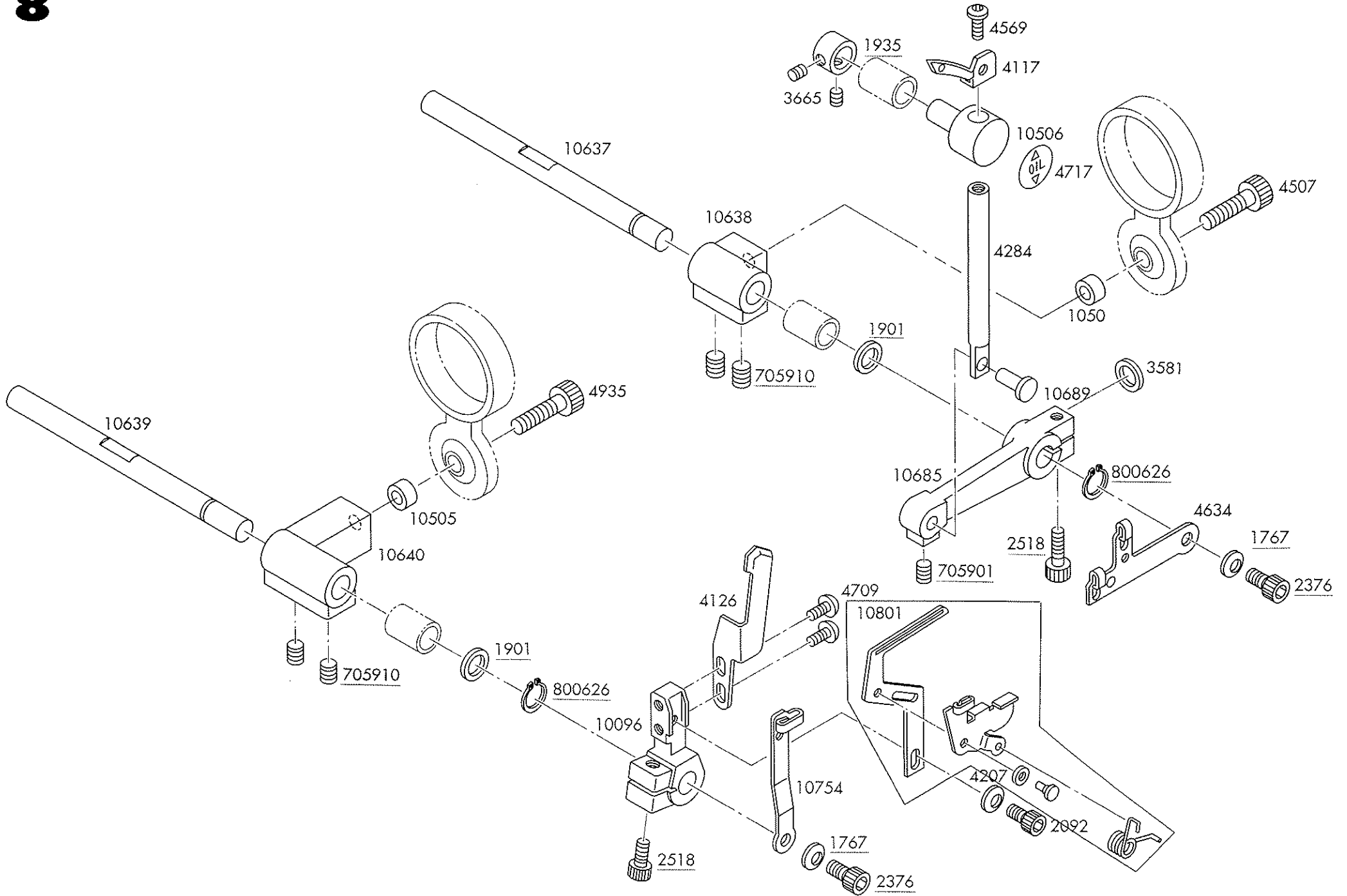
PART NO.	TAVARO NO.	NAME OF PART
----------	------------	--------------



PART NO.	TAVARO NO.	NAME OF PART
1757	395053-63	Grub screw M4x4
1759	395053-65	Washer STW-FM 8x1
1893	396003-47	Looper rod eccentric
3453	396007-62	Feed cam
4103	396009-83	Main shaft
4106	396009-86	Crank cam
4109	396009-89	Feed eccentric
4902	396014-05	Washer M4x12x1
10091	396014-10	Handwheel
10115	396014-12	Feed eccentric
10116	396015-85	Feed dog conn. pin
10342	396014-18	Handwheel cap
10443	396014-19	Screw M4x16 pan head
10500	396014-20	Ball rod assem.
10628	396017-55	Belt XL128
10629	396017-56	Pulley balance weight
10792	396017-57	Balance weight, left
705901	395421-00	Grub screw M4x5
800604	395467-00	Snap ring #6
800625	395128-23	Clip ring #8
800703	395054-44	Roll pin 3x16

PART NO.	TAVARO NO.	NAME OF PART
----------	------------	--------------

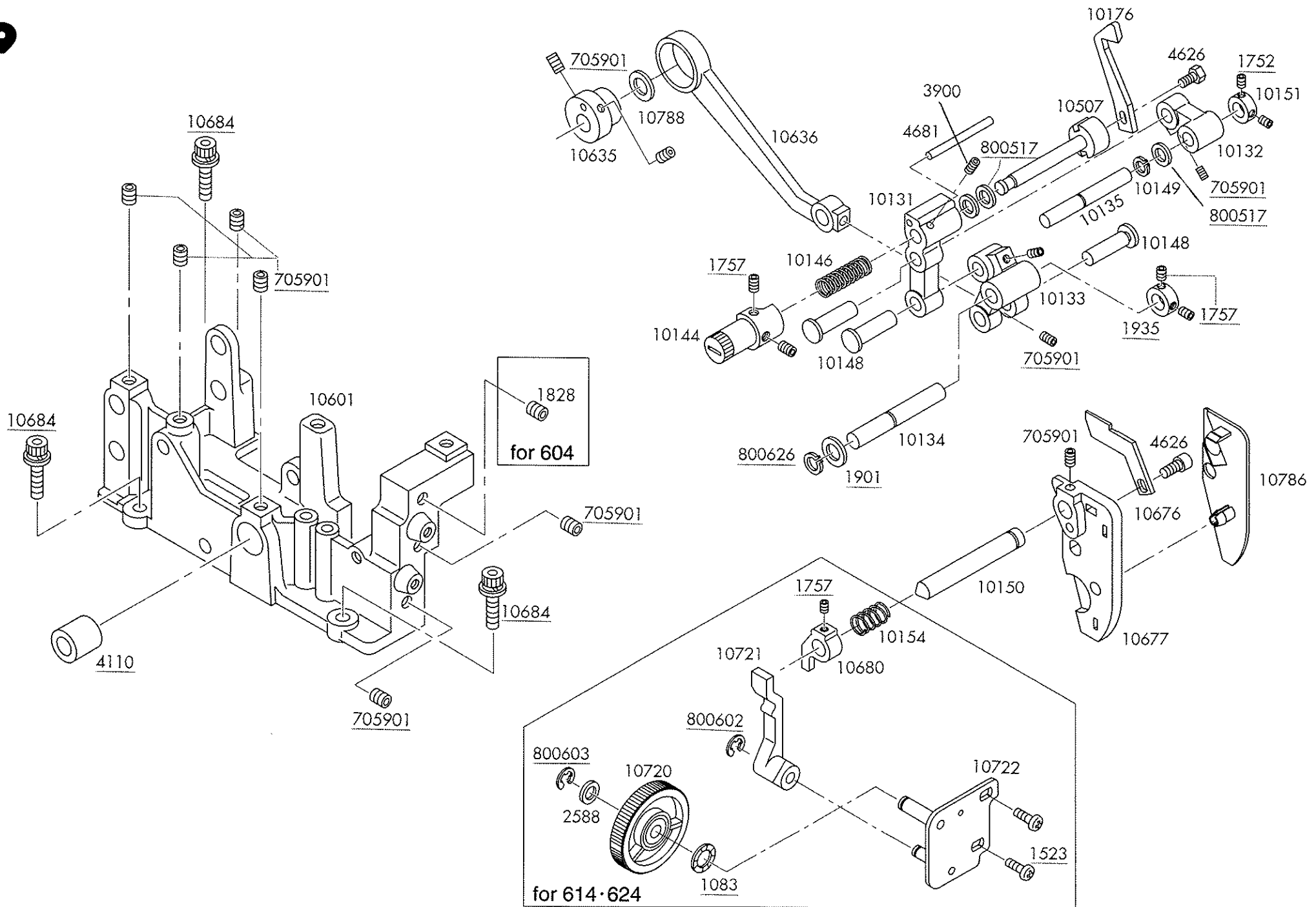
PART NO.	TAVARO NO.	NAME OF PART
----------	------------	--------------



PART NO.	TAVARO NO.	NAME OF PART
1767	395053-70	Conical washer 8x4x0.4
1901	396003-55	Washer STW-FT 7x1
1935	396003-80	Collar ϕ 7
2092	396004-54	Allen screw M3x8
2376	396004-74	Allen screw M4x6
2518	396004-91	Allen screw M4x12
3581	396007-97	Washer 4x7x0.8
3665	396008-08	Grub screw M4x3
4117	396009-95	Upper looper
4126	396010-01	Overtock needle guard
4207	396008-70	Conical washer 3x7
4284	396010-81	Upper looper shaft
4507	396011-58	Allen screw M5x18 P
4569	396011-81	Allen screw M4x8 Pan
4634	396012-19	Take up lever - right
4709	396012-78	Allen screw M3x6
4717	396012-42	Oil mark roud
4935	396018-74	Allen screw M5x18
10096	396016-09	Lower looper support
10505	396017-58	Spacer M5x3
10506	396017-59	Upper looper shaft guide
10637	396017-60	Upper looper axle
10638	396017-61	Upper looper axle rocker
10639	396017-62	Lower looper axle
10640	396017-63	Lower looper axle rocker
10685	396017-64	Upper looper arm (4)
10689	396017-65	Upper looper shaft pin
10754	396017-66	Lower looper take-up lever
10801	396016-29	Lower looper assem.
705901	395421-00	Grub screw M4x5
705910	395047-99	Screw
800626	395128-24	Clip ring #7

PART NO.	TAVARO NO.	NAME OF PART
----------	------------	--------------

PART NO.	TAVARO NO.	NAME OF PART
----------	------------	--------------

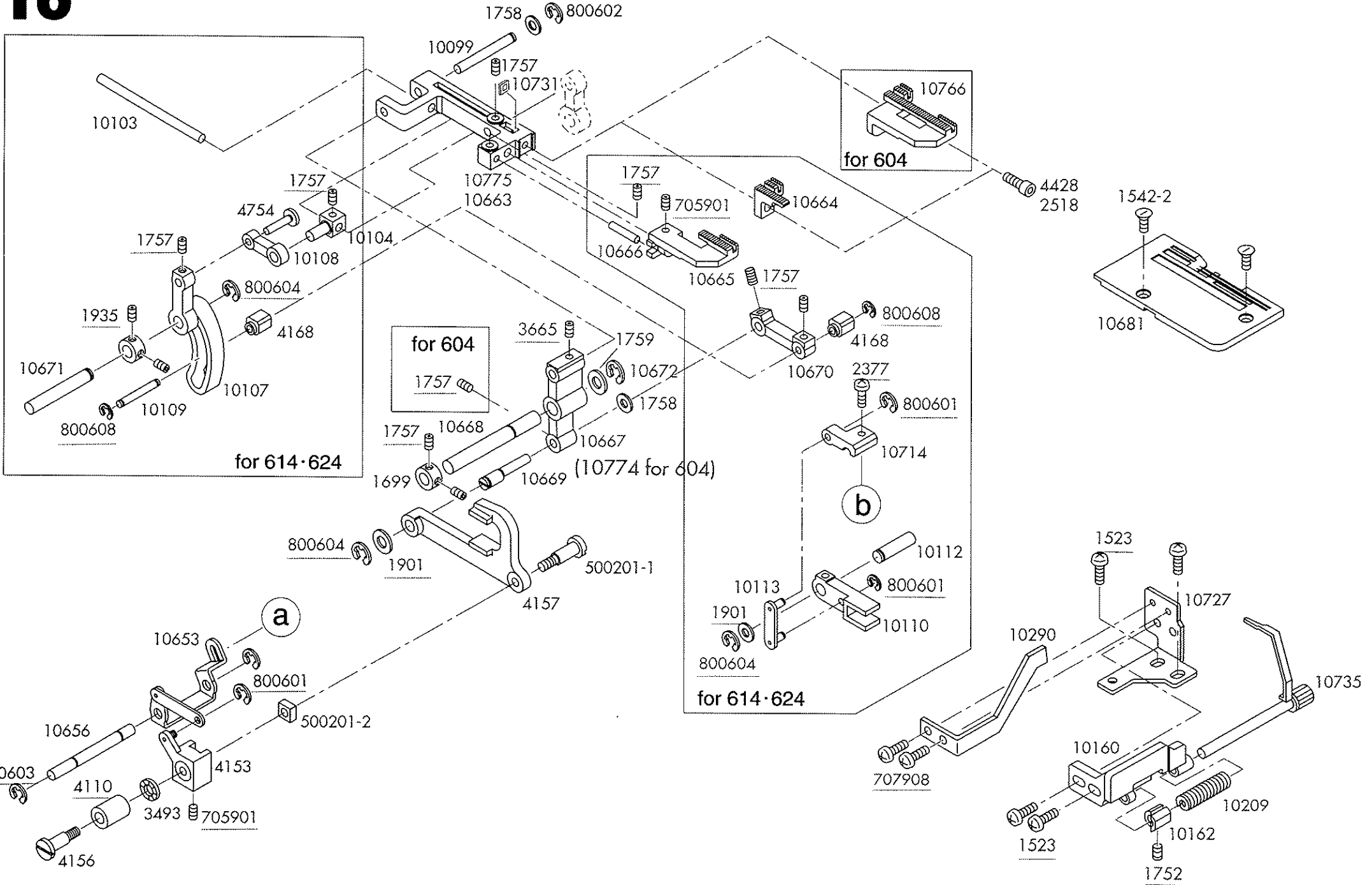


PART NO.	TAVARO NO.	NAME OF PART
1083	395047-24	Friction washer 6x14x0.15
1523	395052-18	Screw M4x8
1752	395053-58	Grub screw M3x3
1757	395053-63	Grub screw M4x4
1828	395053-92	Grub screw
1901	396003-55	Washer STW-FT 7x1
1935	396003-80	Collar ϕ 7
2588	395055-45	Washer STW-FT 6x0.25
3900	396009-23	Dry lock allen screw M3x3
4110	396009-90	Looper axle bearing
4626	396012-14	Hexagon bolt M4X10
4681	396012-31	Pin M3x38
10131	396014-25	Moving blade support rod, 905
10132	396014-26	Cutter arm (1)
10133	396014-27	Cutter arm (2)
10134	396014-28	Cutter arm axle (1)
10135	396014-29	Cutter arm axle (2)
10144	396014-34	Cutter knob
10146	396014-36	Moving blade pressure spring
10148	396014-38	Pin
10149	396014-39	C ring #6
10150	396014-40	Fixed blade axle
10151	396014-41	Collar #6
10154	396014-43	Fixed blade pressure spring
10176	396001-60	Moving blade
10507	396018-05	Moving blade holder
10601	396018-06	Base unit of feed assembling system
10635	396018-07	Cutter arm
10636	396018-28	Cutter conn. rod.
10676	396018-29	Fixed blade
10677	396018-30	Fixed blade support
10680	396018-31	Moving blade shift rod
10684	396018-32	Cap bolt M5x20
10720	396018-33	Cutter width dial
10721	396018-34	Cutter width dial lever
10722	396018-35	Cutting width dial bracket assem.
10786	396018-36	Fixed blade protection cover
10788	396018-37	Washer STW 19x25x0.25
705901	395421-00	Grub screw M4x5

PART NO.	TAVARO NO.	NAME OF PART
800517	395048-46	Washer STW-FT 6X1
800602	395465-00	Snap ring #4
800603	395466-00	Snap ring #5
800626	395128-24	Clip ring #7

PART NO.	TAVARO NO.	NAME OF PART
----------	------------	--------------

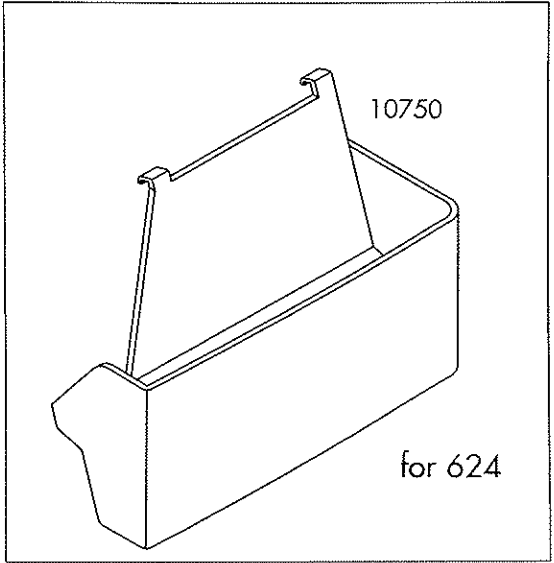
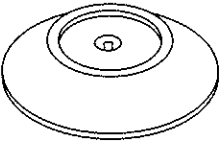
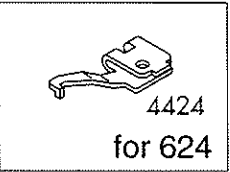
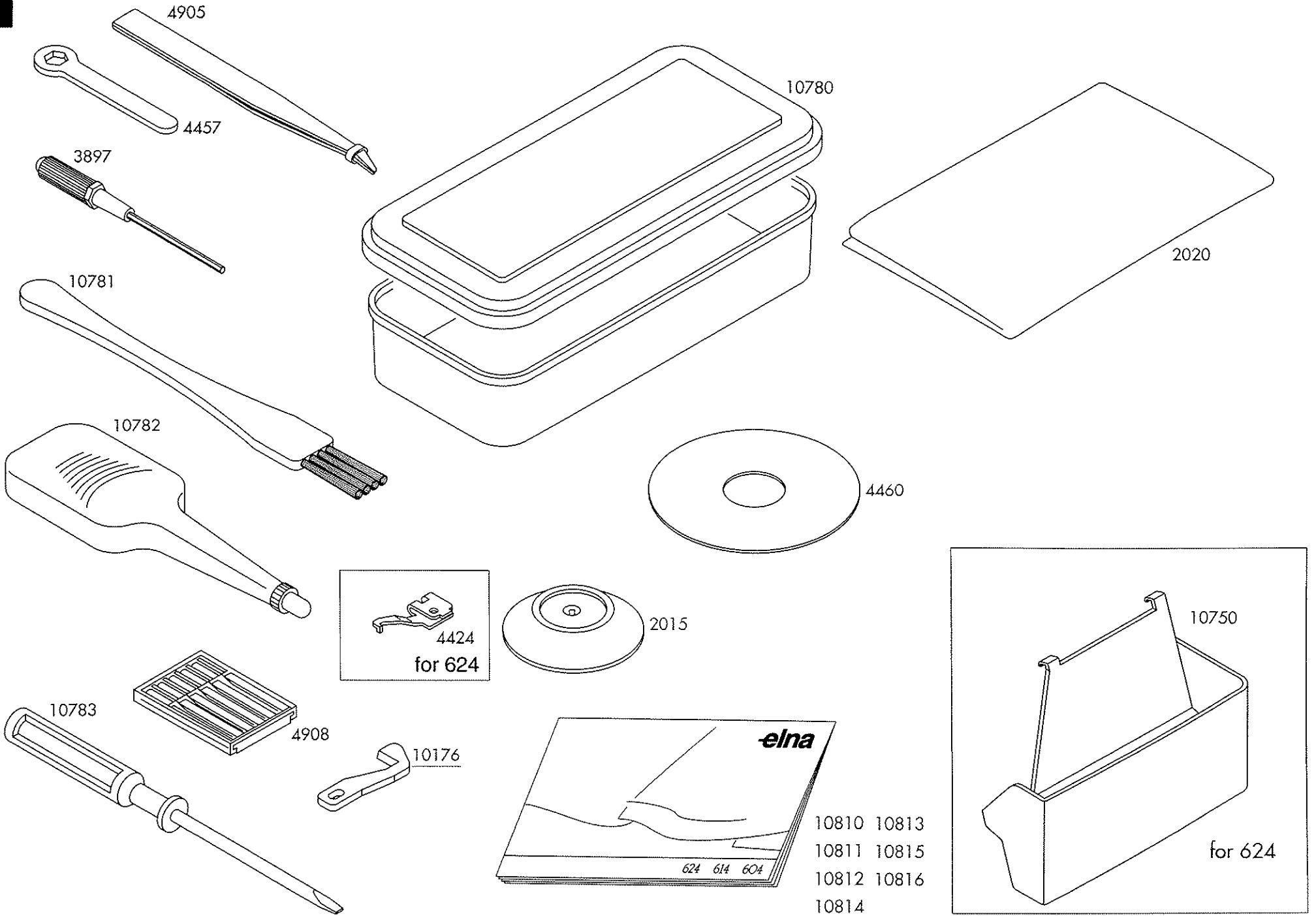
10



PART NO.	TAVARO NO.	NAME OF PART
1523	395052-18	Screw M4x8
1542	395052-34	Flush screw M4x8
1542-2	396018-27	Needle plate set screw M4x7
1699	395053-23	Lower shaft collar
1752	395053-58	Grub screw M3x3
1757	395053-63	Grub screw M4x4
1758	395053-64	Washer STW-FT 5x0.5
1759	395053-65	Washer STW-FM 8x1
1901	396003-55	Washer STW-FT 7x1
1935	396003-80	Collar ϕ 7
2377	396004-75	Screw M3x8
3493	396007-79	Friction washer ϕ 7
3665	396008-08	Grub screw M4x3
4110	396009-90	Bearing
4153	396010-19	Feed regulator
4156	396010-20	Feed regulator hinge pin
4157	396010-21	Feed forked rod
4168	396010-30	DF regulator slide block
4428	396011-42	Allen screw M4x10 P
4754	396012-92	Link pin 904 DE/DC & 905 DC
10099	396015-72	Feed bar conn. pin, back
10103	396015-76	Feed bar axle
10104	396015-77	Feed bar rod
10107	396015-99	Feed rock lever, back
10108	396016-00	Feed rock conn. rod.
10109	396015-80	Slide pin
10110	396015-81	D.F. guide lever
10112	396015-83	D.F. guide pin
10113	396015-84	D.F. conn. rod, left
10160	396014-59	Instant rolled/narrow hem device holder
10162	396014-61	Sleeve
10209	396014-66	Stitch tongue spring
10290	396014-85	Front Needle guard, 904
10653	396018-41	S.L. lever axle rocker assem.
10656	396018-42	S.L. lever axle pin
10664	396018-43	Feed dog, front
10665	396018-44	Feed dog, back

PART NO.	TAVARO NO.	NAME OF PART
10666	396018-45	Feed dog guide pin
10667	396018-46	Feed rock lever, front
10668	396018-47	Feed rock lever conn. pin
10669	396018-48	Feed rock lever, back
10670	396018-49	D.F. link
10671	396018-50	D.F. axle conn. pin
10672	396018-51	E-ring #7
10681	396013-54	Needle plate
10714	396018-52	D.F. axle arm
10727	396018-53	Instant rolled/narrow hem bracket
10735	396018-54	Instant rolled/narrow hem device
10766	396018-55	Feed dog, 604
10774	396018-56	Feed rock lever front, 604
10775	396018-57	Feed bar
500201-1	395054-29	Feed S.B. hinge screw
500201-2	395054-30	Feed slide block
705901	395421-00	Grub screw M4x5
707908	395049-39	Screw M3x5
800601	395464-00	Snap ring #3
800602	395465-00	Snap ring #4
800603	395466-00	Snap ring #5
800604	395467-00	Snap ring #6
800608	395401-02	E ring #2.5

PART NO.	TAVARO NO.	NAME OF PART
2518	396004-91	Allen screw M4x12
10663	396019-11	Feed bar
10731	396018-15	Square nut M4



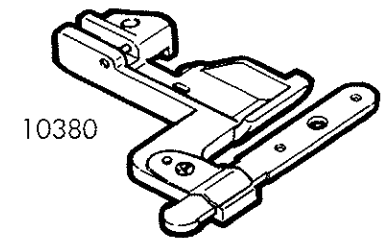
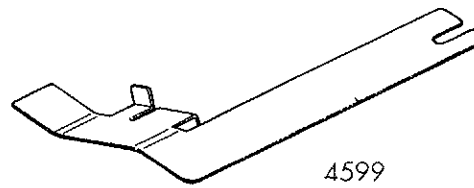
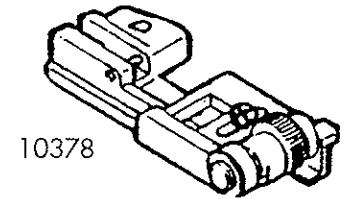
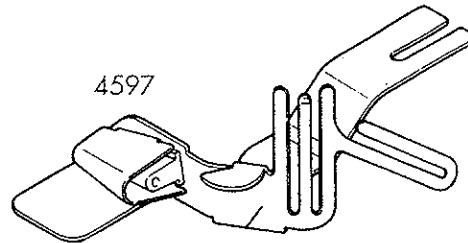
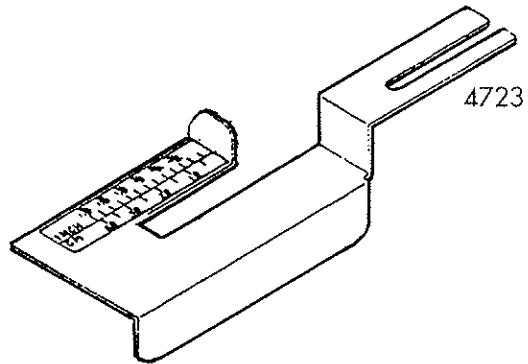
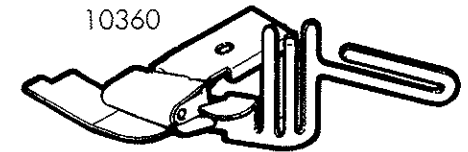
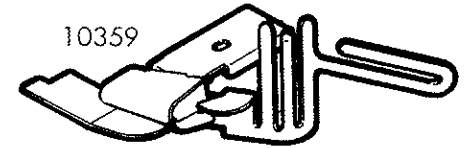
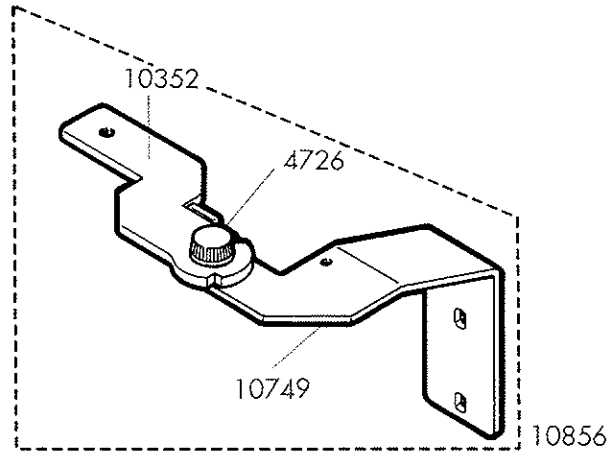
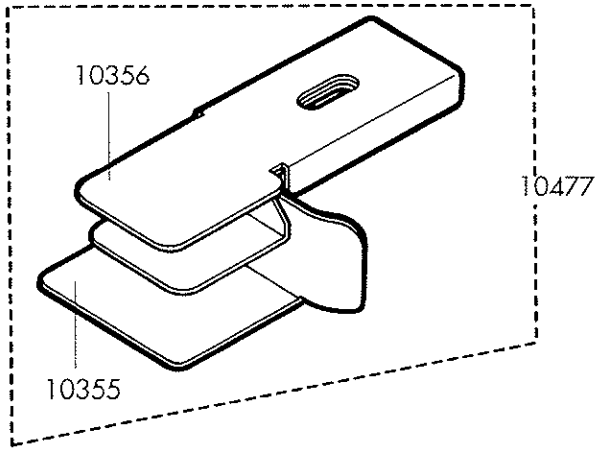
- 10810 10813
- 10811 10815
- 10812 10816
- 10814

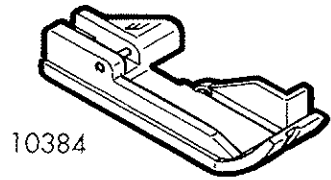
PART NO.	TAVARO NO.	NAME OF PART
2015	396002-07	Spool cap
2020	396002-09	Machine dust cover
3897	396002-69	Allen screw driver 1.5mm
4424	396001-19	Converter
4457	396001-13	Wrench 7mm
4460	396001-37	Spool disc sheet
4905	396001-62	Tweezers
4908	396001-51	Needle assortment ELx705 #80-90
10176	396001-60	Moving blade
10750	396001-74	Waste tray
10780	396001-72	Accessory case
10781	396001-69	Brush
10782	396003-67	Oil tube
10783	396003-68	Screwdriver
10784	396009-69	Instruction manual, English
10796	396018-72	Styrofoam (not shown)
10797	396018-73	Carton case, standard (not shown)
10810	396160-71	Instruction manual, German
10811	396160-77	Instruction manual, French
10812	396160-73	Instruction manual, Danish
10813	396160-84	Instruction manual, Swedish
10814	396160-82	Instruction manual, Norwegian
10815	396160-75	Instruction manual, Finnish
10816	396160-80	Instruction manual, Hungarian

PART NO.	TAVARO NO.	NAME OF PART
----------	------------	--------------

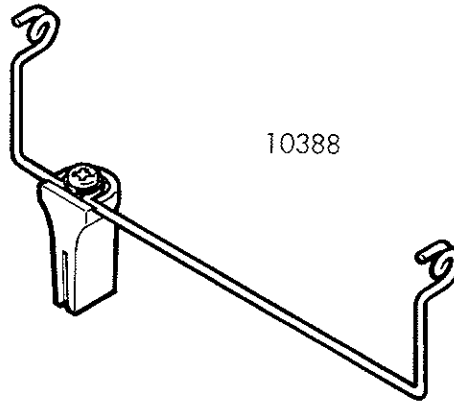
PART NO.	TAVARO NO.	NAME OF PART
----------	------------	--------------

12

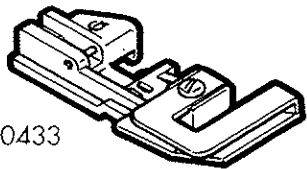




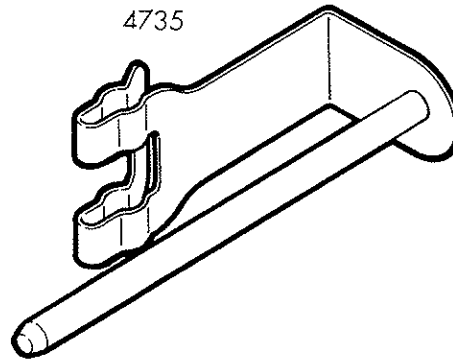
10384



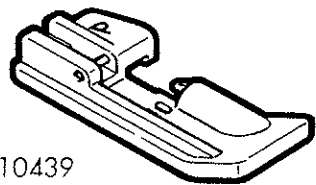
10388



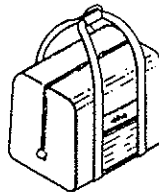
10433



4735



10439



4736

PART NO.	TAVARO NO.	NAME OF PART
4597	396001-28	Tape guide
4599	396001-29	Gathering plate
4723	396001-42	Cloth guide
4726	396001-39	Coin screw M4x8
4735	396001-43	Ribbon thread spool holder
4736	396001-44	Carring bag(Not shawn)
10352	396001-81	Attachment holder
10355	396001-82	Cloth guide (S)
10356	396001-83	Cloth guide (W)
10359	396001-84	Tape guide
10360	396001-85	Tape guide with cording
10378	396001-93	Blind stitch/Flatlock foot
10380	396001-94	Multi-purpose foot
10384	396001-95	Piping foot, 904
10388	396001-97	Special thread guide (Yarn guide)
10433	396001-98	Bulky/gathering foot
10439	396001-99	Pearl foot
10477	396013-58	Cloth guide(S) + (W)
10749	396013-57	Attachment holder,base(1)
10856	396013-59	Attachment holder,assem.

PART NO.	PAGES	PART NO.	PAGES	PART NO.	PAGES	PART NO.	PAGES	PART NO.	PAGES
1010	1	3470	4	4431	4	10091	7	10461	6
1083	3,6,9	3493	10	4432	4	10096	8	10463	6
1241	1,5	3581	8	4434	4	10099	10	10500	7
1279	4	3665	8,10	4457	11	10103	10	10505	8
1523	1,4,9,10	3680	6	4459	4	10104	10	10506	8
1542	10	3820	4	4460	11	10107	10	10507	9
1546	1,2,6	3822	4	4504	6	10108	10	10600	5
1579	1,2,4,6	3823	4	4507	8	10109	10	10601	9
1699	6,10	3824	4	4566	4	10110	10	10602	1
1731	4	3897	11	4567	4	10112	10	10603	2
1752	6,9,10	3900	9	4568	4	10113	10	10605	2
1757	6,7,9,10	3920	4	4569	8	10115	7	10606	1
1758	10	4082	6	4586	6	10116	7	10607	2
1759	7,10	4083	6	4586	6	10124	6	10608	2
1767	8	4085	5	4626	9	10131	9	10613	3
1775	6	4088	6	4634	8	10132	9	10614	3
1847	1	4091	6	4681	9	10133	9	10615	3
1879	2	4092	6	4709	8	10134	9	10616	3
1883	2	4103	7	4710	5	10135	9	10617	3
1893	7	4106	7	4717	8	10144	9	10618	3
1901	6,8,9,10	4109	7	4720	1	10146	9	10619	3
1913	5	4110	5,9	4740	1	10148	9	10620	3
1914	5	4117	8	4741	1,2	10149	9	10621	3
1935	8,9,10	4126	8	4754	10	10150	9	10622	3
2015	11	4153	10	4902	7	10151	6,9	10623	3
2020	11	4156	10	4905	11	10154	9	10624	3
2092	8	4157	10	4908	11	10160	10	10625	3
2248	6	4168	10	4935	8	10162	10	10628	7
2376	8	4207	8	4953	2	10176	4,9	10629	7
2377	2,4,10	4270	2	5048	3	10209	10	10634	5
2481	6	4284	8	5183	4	10290	10	10635	9
2518	8	4317	6	5200	4	10326	1	10636	9
2569	1	4402	4	10023	1	10340	6	10637	8
2588	9	4420	2,3	10034	2	10342	7	10638	8
3085	6	4421	2	10035	2	10343	2	10639	8
3127	2	4424	4	10036	2	10347	4	10640	8
3377	2	4428	10	10038	1	10412	2	10641	6
3453	7	4430	4	10048	3	10443	7	10642	6
				10080	6				

PART NO.	PAGES
10709	1
10711	6
10712	1
10713	1
10714	10
10715	4
10716	2
10717	2
10718	6
10720	9
10721	9
10722	9
10726	2
10727	10
10729	6
10731	1
10732	1
10733	1
10734	5
10735	10
10739	1
10740	1
10741	4
10744	4
10745	4
10746	4
10747	5
10748	2
10749	11
10750	11
10751	2
10753	6
10754	8
10756	4
10757	4
10758	4
10759	2
10762	4

PART NO.	PAGES
10763	4
10766	10
10767	1
10768	2
10769	1
10770	1
10771	1
10772	1
10773	1
10774	10
10775	10
10777	6
10778	4
10779	2
10780	11
10781	11
10782	11
10783	11
10784	11
10785	2
10786	9
10787	4
10788	9
10791	6
10792	7
10793	2
10794	5
10796	11
10797	11
10798	1
10800	6
10801	8
10802	3
10803	2
10804	4
10805	4
10810	11
10811	11

PART NO.	PAGES
10812	11
10813	11
10814	11
10815	11
10816	11
567010	1
700206	6
705901	3,5,6,7,8,9,10
705909	6
705910	6,8
707901	2
707908	4,6,10
800509	3
800517	9
800601	1,4,6,10
800602	6,9,10
800603	3,6,9,10
800604	7,10
800608	10
800625	7
800626	6,8,9
800701	6
800703	7
1542-2	10
500201-1	10
500201-2	10
522005-1	4

PART NO.	PAGES
----------	-------

PART NO.	PAGES
----------	-------

PART NO.	PAGES
2518	10
10663	10
10731	10
10760	1
10806	1
10807	1