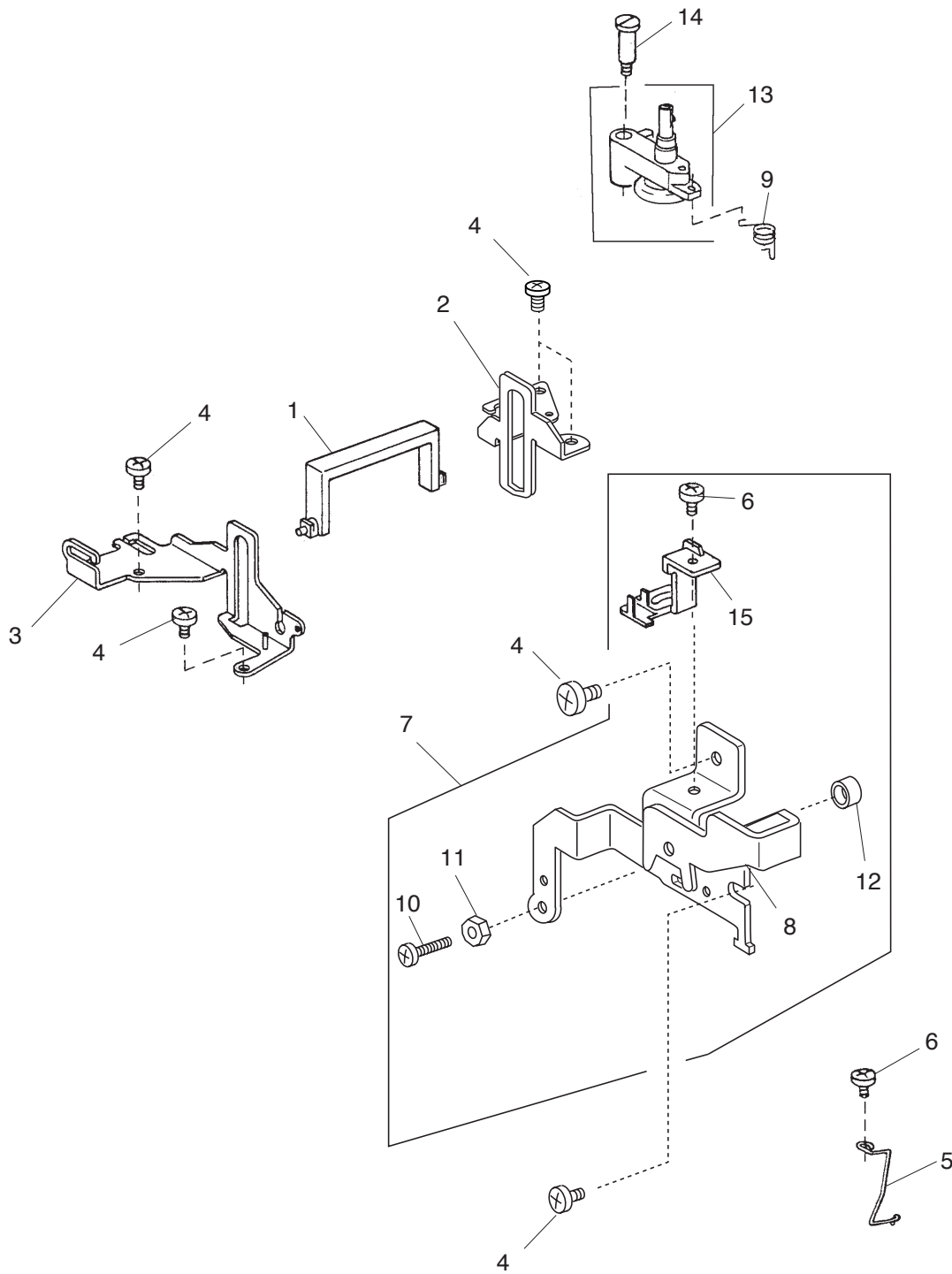


PARTS LIST

MODEL 2600



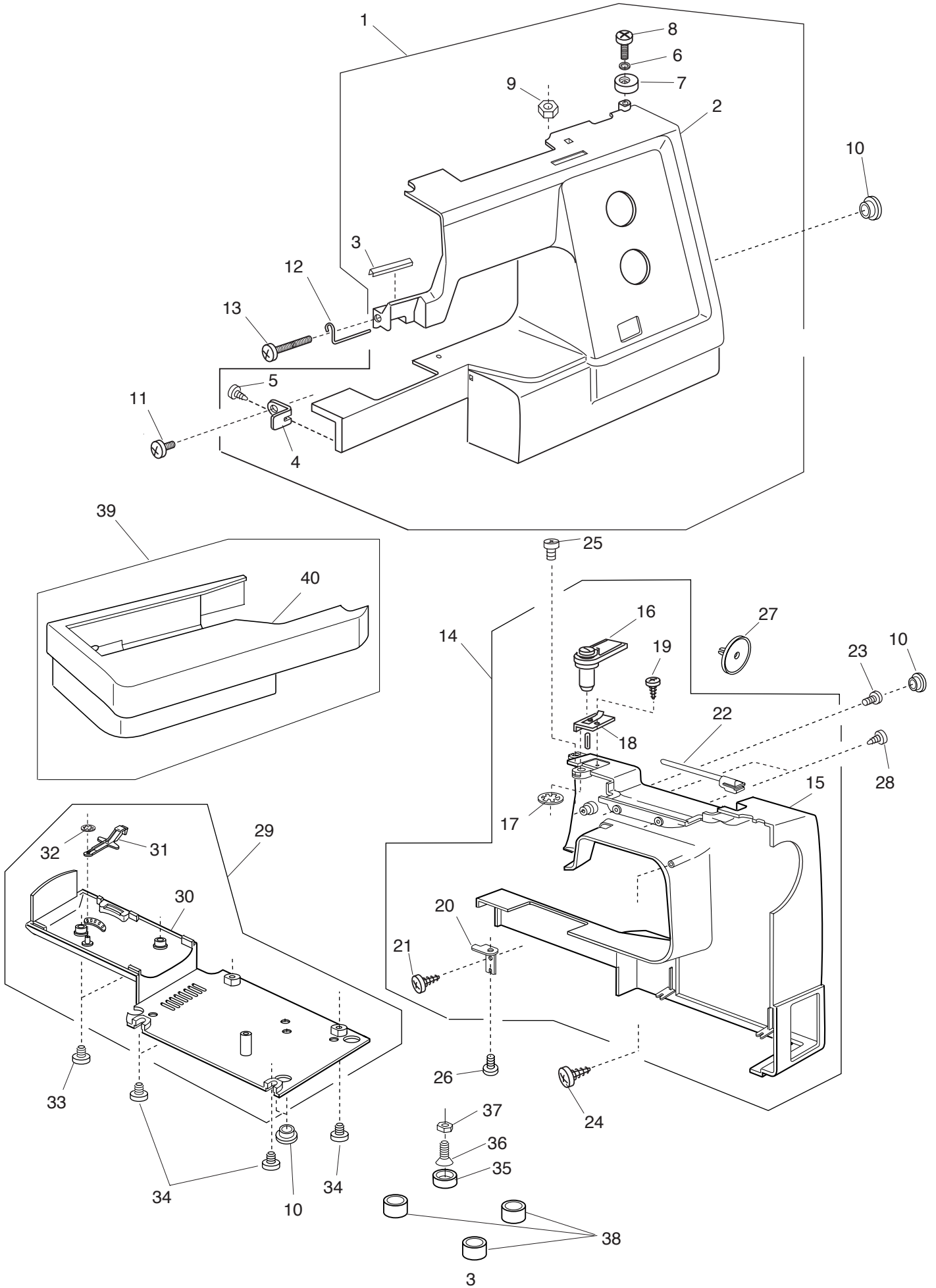
PARTS LIST

MODEL 2600

KEY NO.	PART NO.	DESCRIPTION
1	751100000	Carrying handle
2	507150002	Carrying handle supporter (right)
3	751077029	Carrying handle supporter (left)
4	000081005	Setscrew 4x8
5	652137006	Arm thread guide (2)
6	000101404	Setscrew 4x6
7	507605100	Face plateset plate (unit)
8	507161006	Face plateset plate
9	659034003	Spring
10	000105419	Setscrew 4x20
11	000160102	Adjustable lock nut 4
12	685042005	Supporter stopper
13	652506000	Bobbin winder (unit)
14	652093009	Setscrew
15	751020027	Threader shaft guide (upper)

PARTS LIST

MODEL 2600



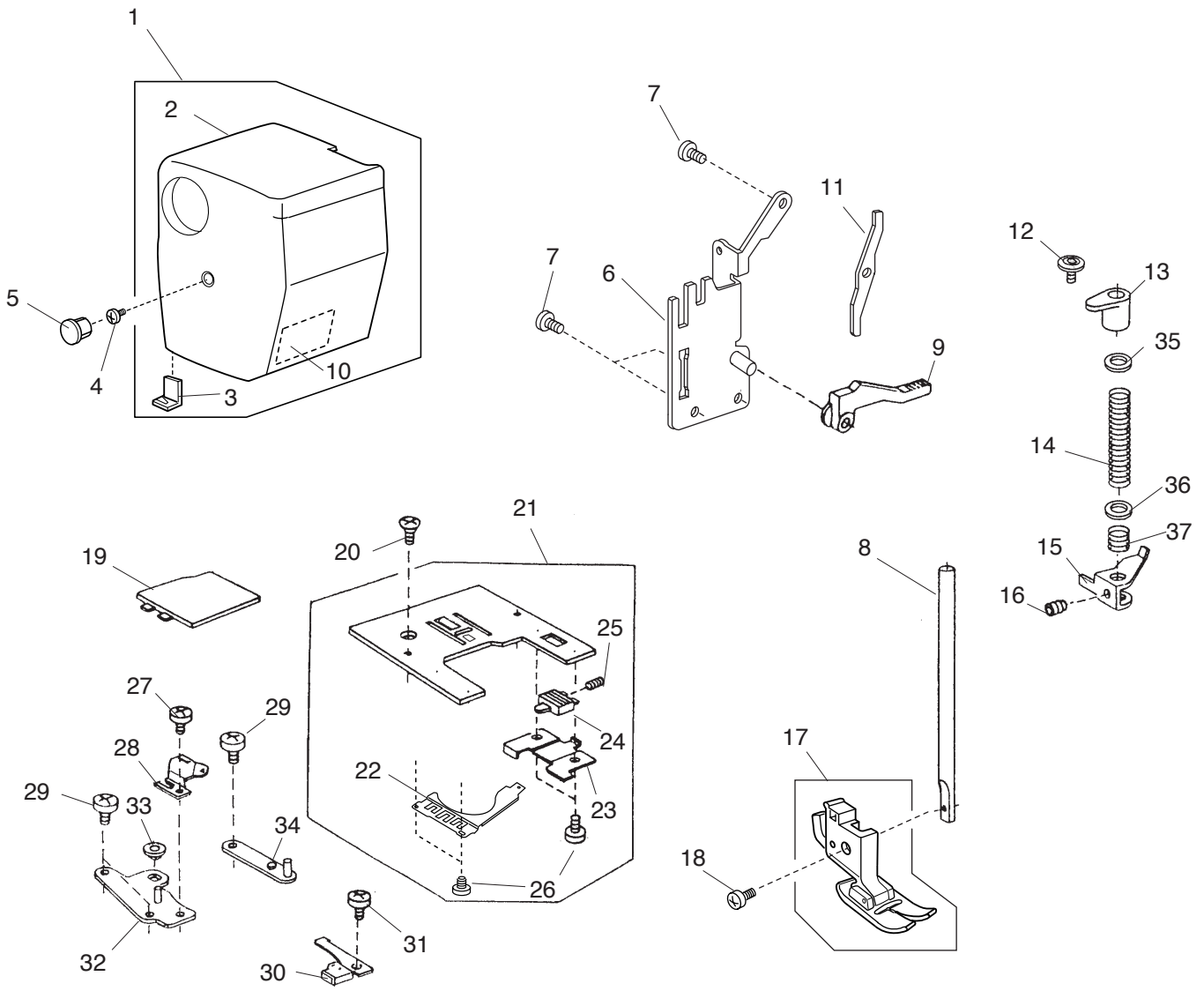
PARTS LIST

MODEL 2600

KEY NO.	PART NO.	DESCRIPTION
1	507657141	Front cover (unit)
2	507170606	Front cover
3	753125007	Thread guide
4	827069004	Front coverset plate (lower)
5	000120203	Setscrew 3x8(B)
6	000071013	Washer 4
7	735016307	Bobbin winder stopper
8	000103107	Setscrew 4x14
9	000061205	Nut4-3-7
10	653006101	Cap
11	000101404	Setscrew 4x6
12	753126008	Arm thread guide
13	000092917	Setscrew 3.5x27
14	507631806	Rear cover (unit)
15	507102180	Rear cover
16	650503702	Thread guide (unit)
17	000014409	Snap ring CS8
18	827503005	Top cover thread guide (unit)
19	000162001	Setscrew 2.6x5(B)
20	827006003	Rear cover set plate
21	000161103	Setscrew 3x6(B)
22	659067005	Additional spool pin
23	000101817	Setscrew 4x16
24	000121905	Setscrew 4x12(B)
25	810220003	Setscrew
26	000081119	Setscrew 4x6
27	822020503	Spool holder (large)
28	000161310	Setscrew 3x12(B)
29	507601003	Base cover (unit)
30	507001007	Base cover
31	753005000	Drop feed lever
32	745033002	Cap
33	000101703	Setscrew 4x12
34	000103509	Setscrew 4x10
35	735002001	Rubber foot
36	000097808	Setscrew 5x25
37	000061412	Nut5-3-8
38	647009002	Bed rubber cushion
39	507637307	Extension table (unit)
40	507503004	Extension table (unit)

PARTS LIST

MODEL 2600



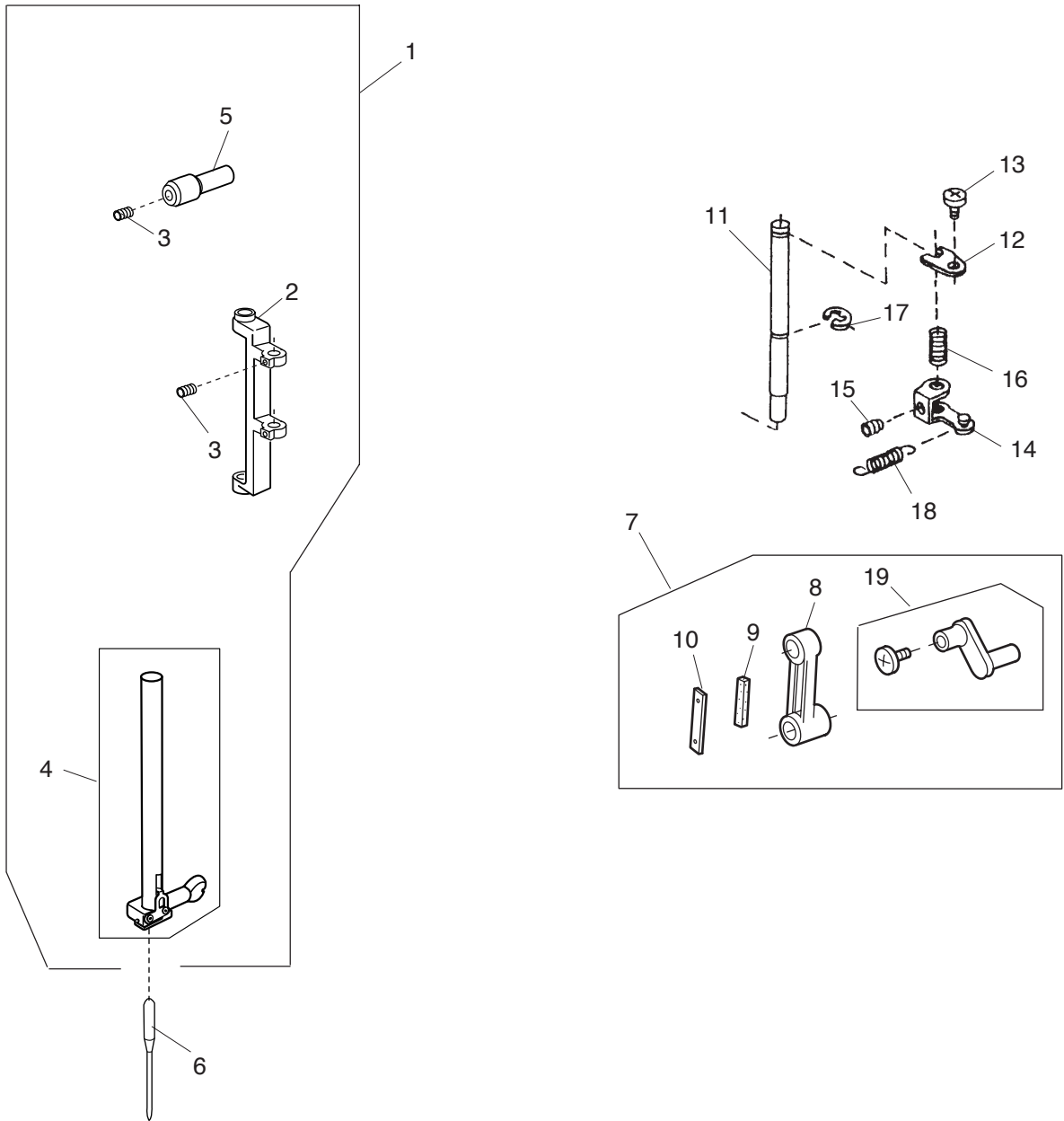
PARTS LIST

MODEL 2600

KEY NO.	PART NO.	DESCRIPTION
1	507632151	Face plate (unit)
2	507105161	Face plate
3	840602006	Thread cutter (unit)
4	000101703	Setscrew 4x12
5	653006101	Cap
6	507156008	Presser bar base plate
7	000081005	Setscrew 4x8
8	827021004	Presser bar
9	735029004	Presser foot lifter
10	724025006	Reflecting sticker(2)
11	751142004	Thread tension release lever
12	000193001	Thin-head setscrew TP (HS) 4x6
13	652104004	Presser bar bushing
14	826006000	Presser bar spring
15	735028003	Presser bar supporter
16	000111500	Hexagonal socket screw 4x8
17	660508007	Presser foot (unit)
18	660106001	Setscrew
19	750036012	Hook cover plate
20	820390109	Needle plate setscrew
21	751603400	Needle plate (unit)
22	832235010	Hook cover plate supporter (left)
23	825015010	Hook cover plate supporter (right)
24	825016000	Hook cover plate release button
25	825017001	Hook cover plate release button spring
26	820374004	Setscrew 2x2.3
27	000103808	Setscrew 3x5
28	822011109	Bobbin holder stopper
29	000066705	Setscrew 3x8
30	751502006	Bobbin holder stopper (unit)
31	810220003	Setscrew
32	751008007	Needle plate adjusting plate (left)
33	822314002	Nut
34	751009008	Needle plate adjusting plate (right)
35	652201002	Washer
36	826055004	Washer
37	826056005	Presser foot support spring

PARTS LIST

MODEL 2600



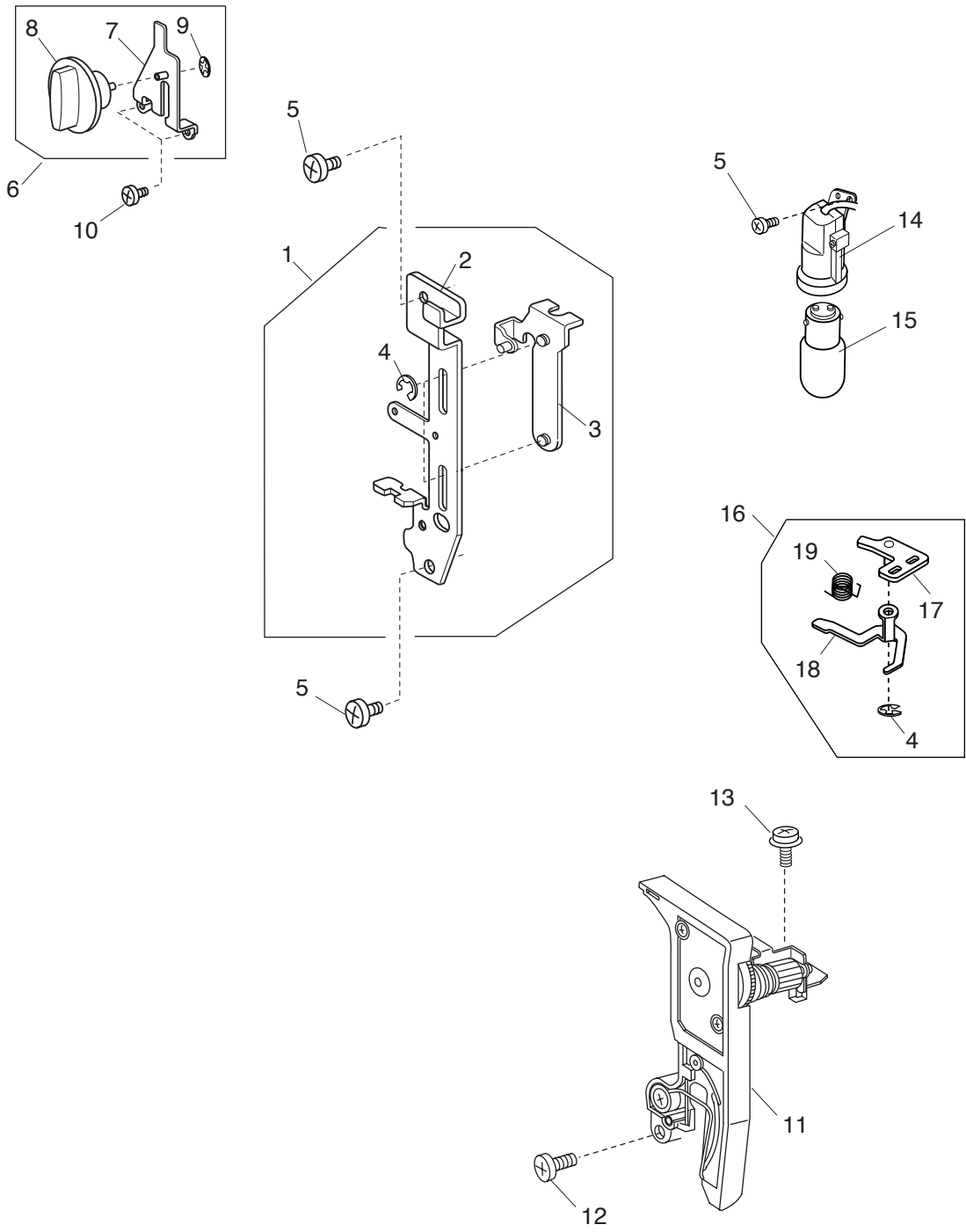
PARTS LIST

MODEL 2600

KEY NO.	PART NO.	DESCRIPTION
1	752654100	Needle bar supporter (unit)
2	650038000	Needle bar supporter
3	000111201	Hexagonal socket screw 4x4
4	751630015	Needle bar (unit)
5	650100004	Needle bar connecting stud
6	102408089	Needle HAx1-14
7	846615000	Needle bar crank (unit)
8	650039001	Needle bar crank rod
9	650040005	Felt
10	650041006	Spring
11	650033005	Supporter shaft
12	650034006	Supporter shaft stopper plate
13	000101404	Setscrew 4x6
14	650035007	Zigzag width arm
15	000111108	Hexagonal socket screw 4x6
16	650036008	Supporter shaft spring
17	000001609	Snap ring E5
18	507094007	Needle bar supporter spring
19	652512009	Needle bar crank pin (unit)

PARTS LIST

MODEL 2600



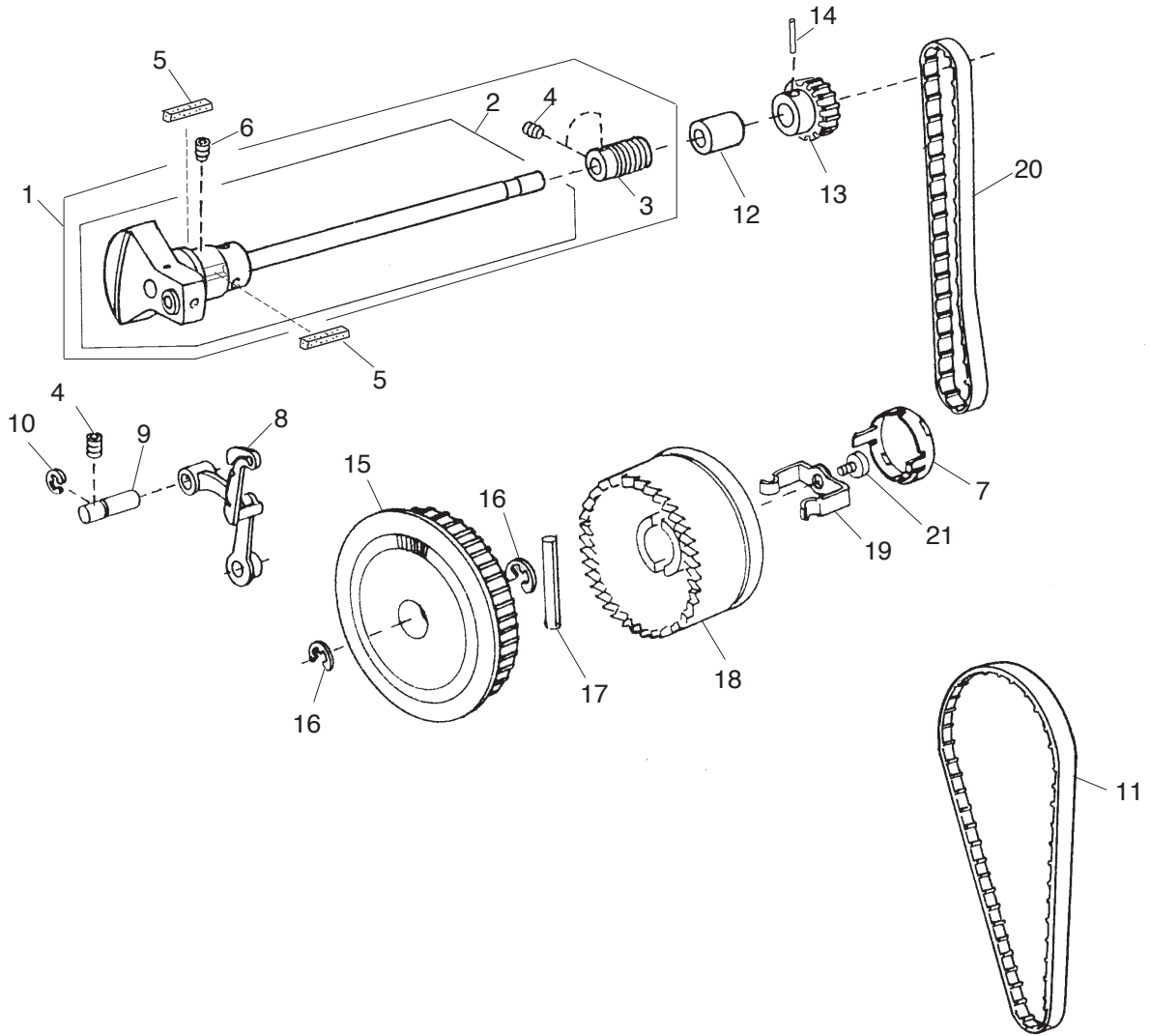
PARTS LIST

MODEL 2600

KEY NO.	PART NO.	DESCRIPTION
1	507615000	Front bracket (unit)
2	507007117	Front bracket
3	501009007	Presser foot pressure adjusting plate
4	000002105	Snap ring E3
5	000081005	Setscrew 4x8
6	507607009	Presser foot pressure dial (unit)
7	501008109	Dialset plate
8	507008004	Presser foot pressure dial
9	000014007	Snap ring CS4
10	000106203	Setscrew 3.5x4
11	507504108	Thread tension (unit)
12	000101703	Setscrew 4x12
13	000115205	Setscrew TP 4x6
14	507611006	Lamp socket (unit)
15	000009009	Lamp 240V 15W
16	507638009	Thread tension release arm (unit)
17	752055002	Thread tension release arm base
18	751215009	Thread tension release arm
19	752056003	Thread tension release spring

PARTS LIST

MODEL 2600



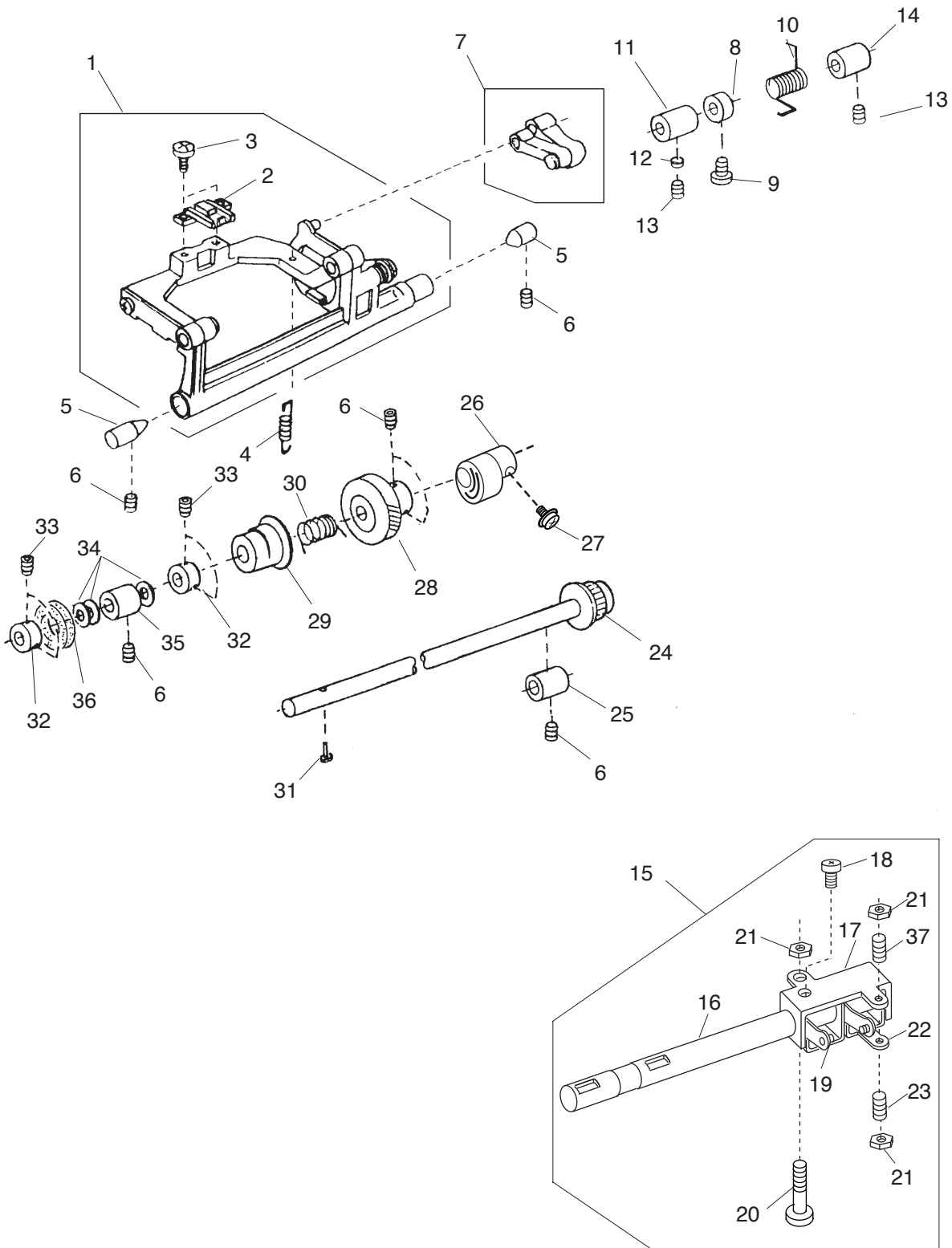
PARTS LIST

MODEL 2600

KEY NO.	PART NO.	DESCRIPTION
1	756607100	Upper shaft (unit)
2	756504003	Upper shaft (unit)
3	507059000	Worm
4	000111201	Hexagonal socket screw 4x4
5	731384008	Felt
6	000111304	Hexagonal socket screw 5x5
7	650070509	Handwheel cap
8	820511108	Thread take-up lever (unit)
9	650062003	Thread take-up lever pin
10	000002806	Snap ring E6 (D)
11	653139012	Timing belt
12	673062004	Upper shaft rear bushing
13	756017004	Upper shaft gear
14	000020501	Knock pin 3x22
15	756018005	Belt wheel
16	000030205	Snap ring E8
17	000023803	Knock pin 4x40
18	639097024	Handwheel
19	639113016	Clutch spring
20	650071005	Timing belt
21	000081005	Setscrew 4x8

PARTS LIST

MODEL 2600



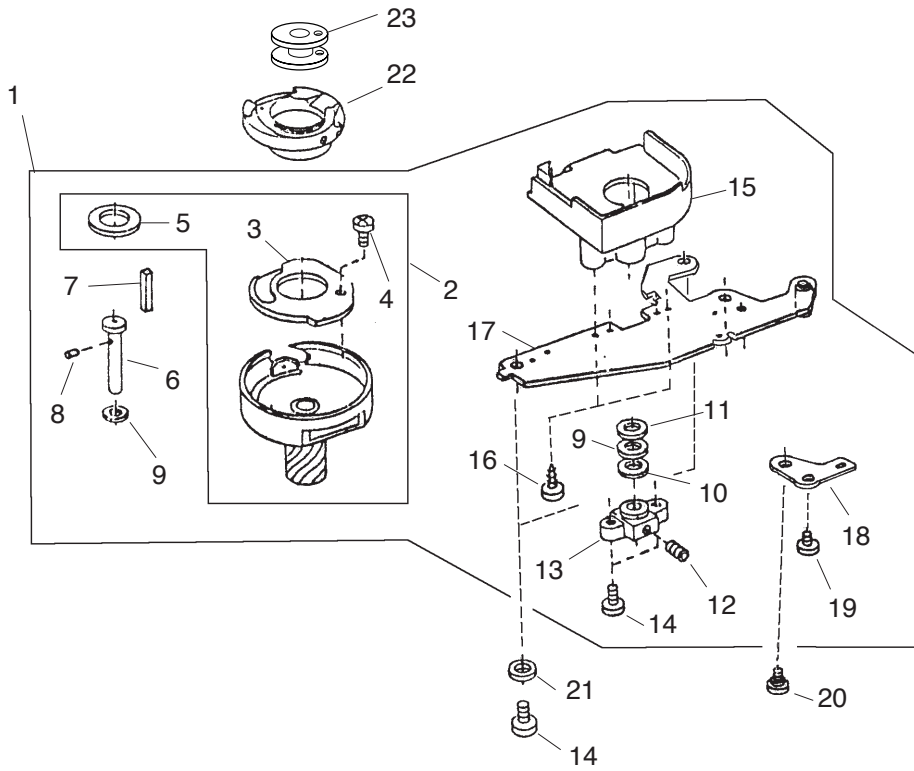
PARTS LIST

MODEL 2600

KEY NO.	PART NO.	DESCRIPTION
1	751666009	Feed lock shaft (unit)
2	653193003	Feed dog
3	000104005	Setscrew 3.5x8
4	650085002	Feed base spring
5	738055008	Straight pin
6	000111304	Hexagonal socket screw 5x5
7	650612004	Feed regulator (unit)
8	820387000	Ring
9	000081005	Setscrew 4x8
10	507095008	Feed regulator spring
11	625144002	Feed shaft bushing (front)
12	650175000	Cushion
13	000111108	Hexagonal socket screw 4x6
14	650092002	Feed shaft bushing (rear)
15	507608103	Feed regulating plate (unit)
16	507062006	Feed shaft
17	507011103	Feed shaft set plate
18	000081500	Setscrew 3x12
19	507064101	SS adjusting plate
20	507087007	Feed adjusting screw
21	000160102	Adjustable lock nut4
22	507063007	Feed regulating plate
23	648010009	Setscrew
24	751612206	Lower shaft (unit)
25	650079003	Lower shaft bushing (rear)
26	751148000	Feed cam
27	000115009	Setscrew TP 3x8
28	650955002	Lower shaft gear
29	753183025	Feed lifting cam
30	686035008	Feed lifting cam spring
31	820161006	Feed lifting pin
32	820166001	Lower shaft ring
33	000111201	Hexagonal socket screw 4x4
34	000038502	Washer 8x0.5
35	650078002	Lower shaft bushing (front)
36	735143005	Felt
37	000159201	Setscrew 4x12

PARTS LIST

MODEL 2600



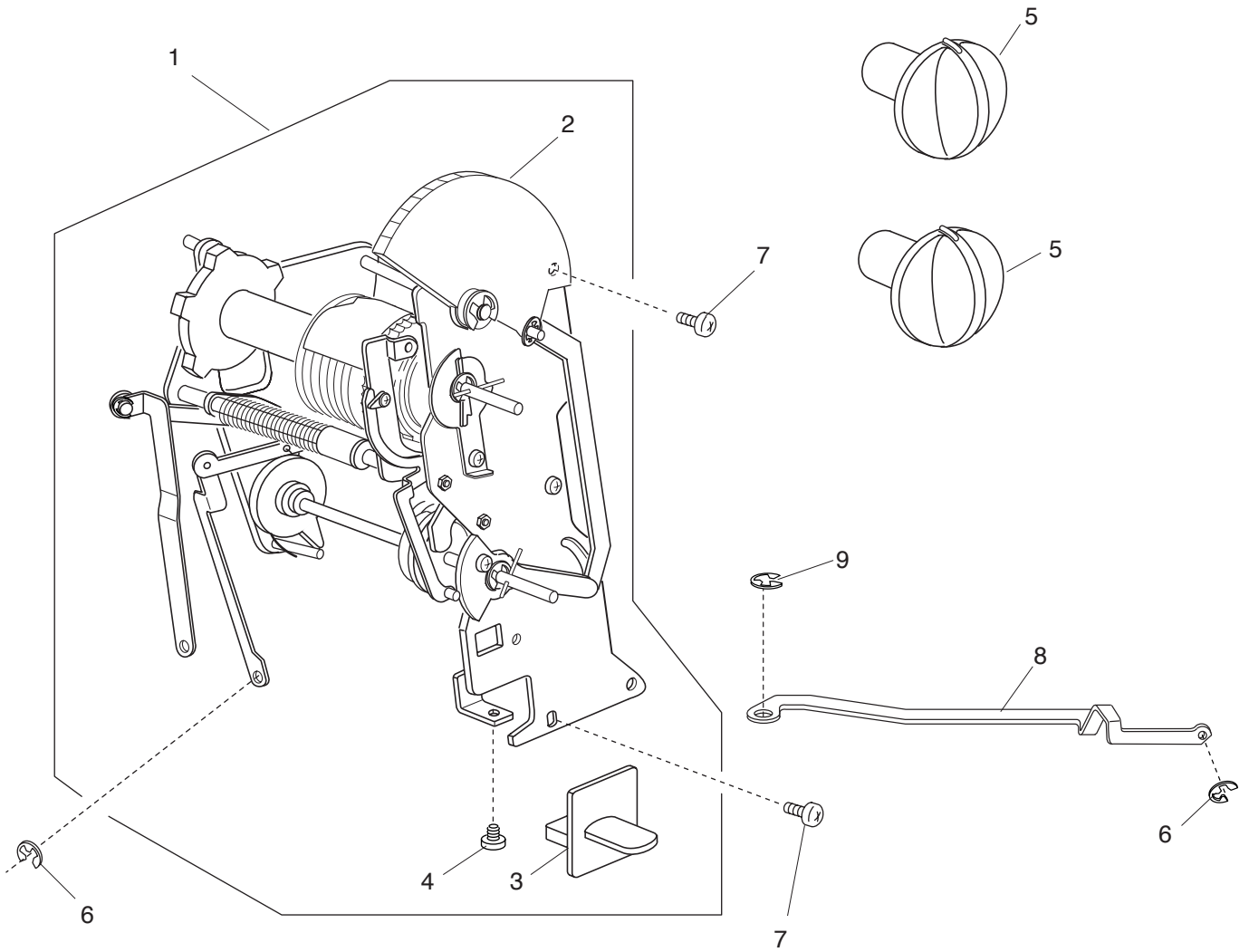
PARTS LIST

MODEL 2600

KEY NO.	PART NO.	DESCRIPTION
1	827614022	Hook race (unit)
2	652623004	Hook body (unit)
3	627191000	Hook bottom plate
4	820374004	Setscrew 2x2.3
5	627190010	Magnet
6	820123006	Hook race shaft
7	820124007	Oil string (1)
8	820125008	Oil string (2)
9	000038409	Washer 6x0.5
10	625102008	Washer
11	627192001	Hook race shaft washer
12	000111304	Hexagonal socket screw 5x5
13	650094004	Hook race shaft base
14	000081005	Setscrew 4x8
15	827040009	Cover
16	000107204	Setscrew 3x12 (B)
17	823106002	Hook race set plate
18	650171006	Positioning plate
19	000101404	Setscrew 4x6
20	650172007	Setscrew
21	000070506	Washer 4
22	627569106	Bobbin holder (unit)
23	102261000	Bobbin

PARTS LIST

MODEL 2600



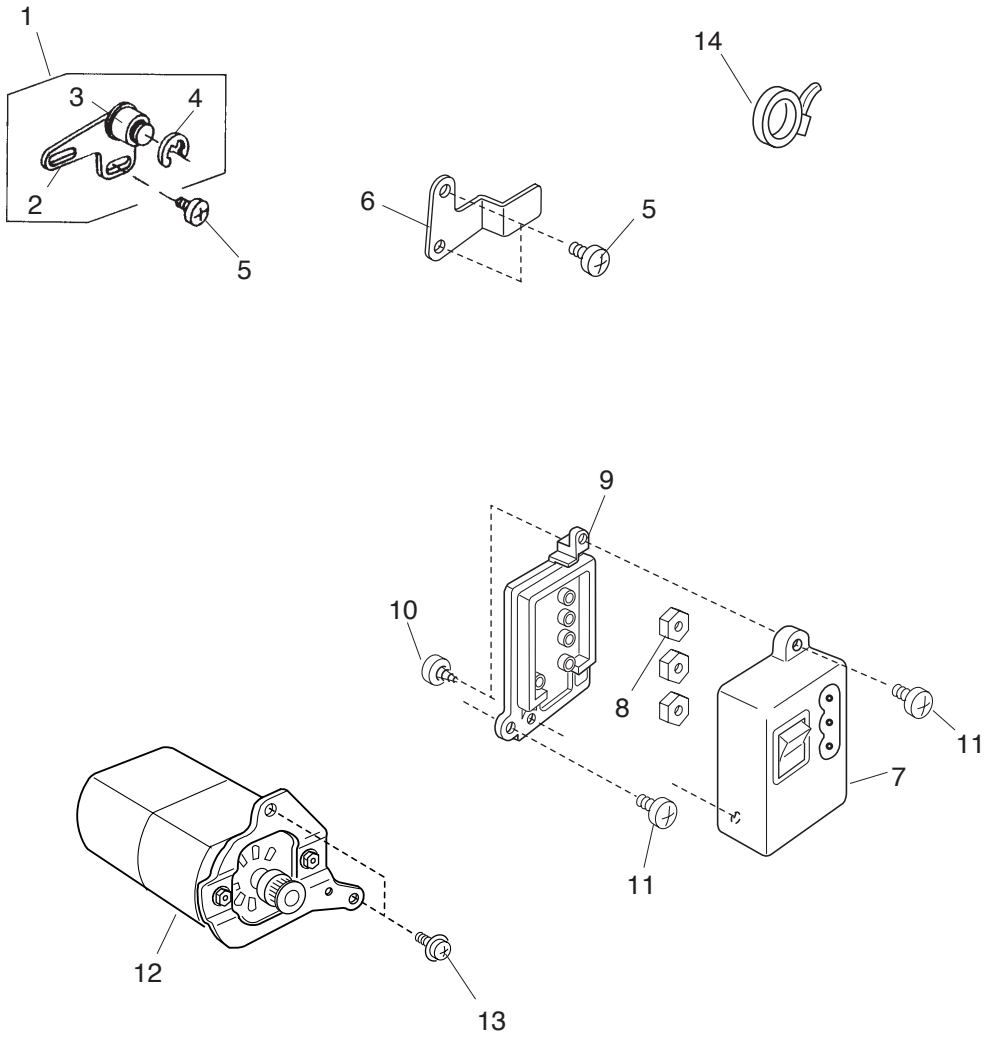
PARTS LIST

MODEL 2600

KEY NO.	PART NO.	DESCRIPTION
1	507633107	Cam block (unit)
2	507041205	Zigzag width dial
3	507109006	Reverse lever
4	000107307	Setscrew 3x8(B)
5	507171009	Dial
6	000002105	Snap ring E3
7	000081005	Setscrew 4x8
8	507066000	Zigzag width rod
9	000002507	Snap ring E4

PARTS LIST

MODEL 2600



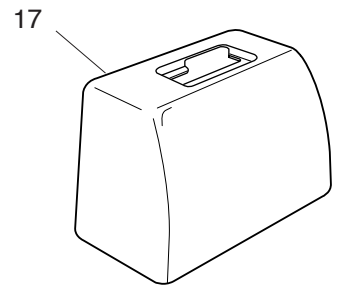
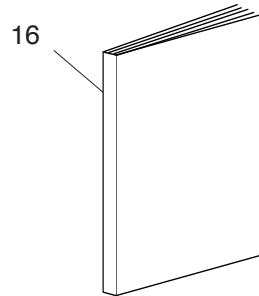
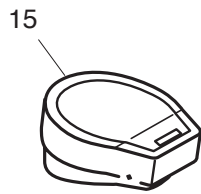
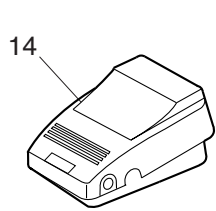
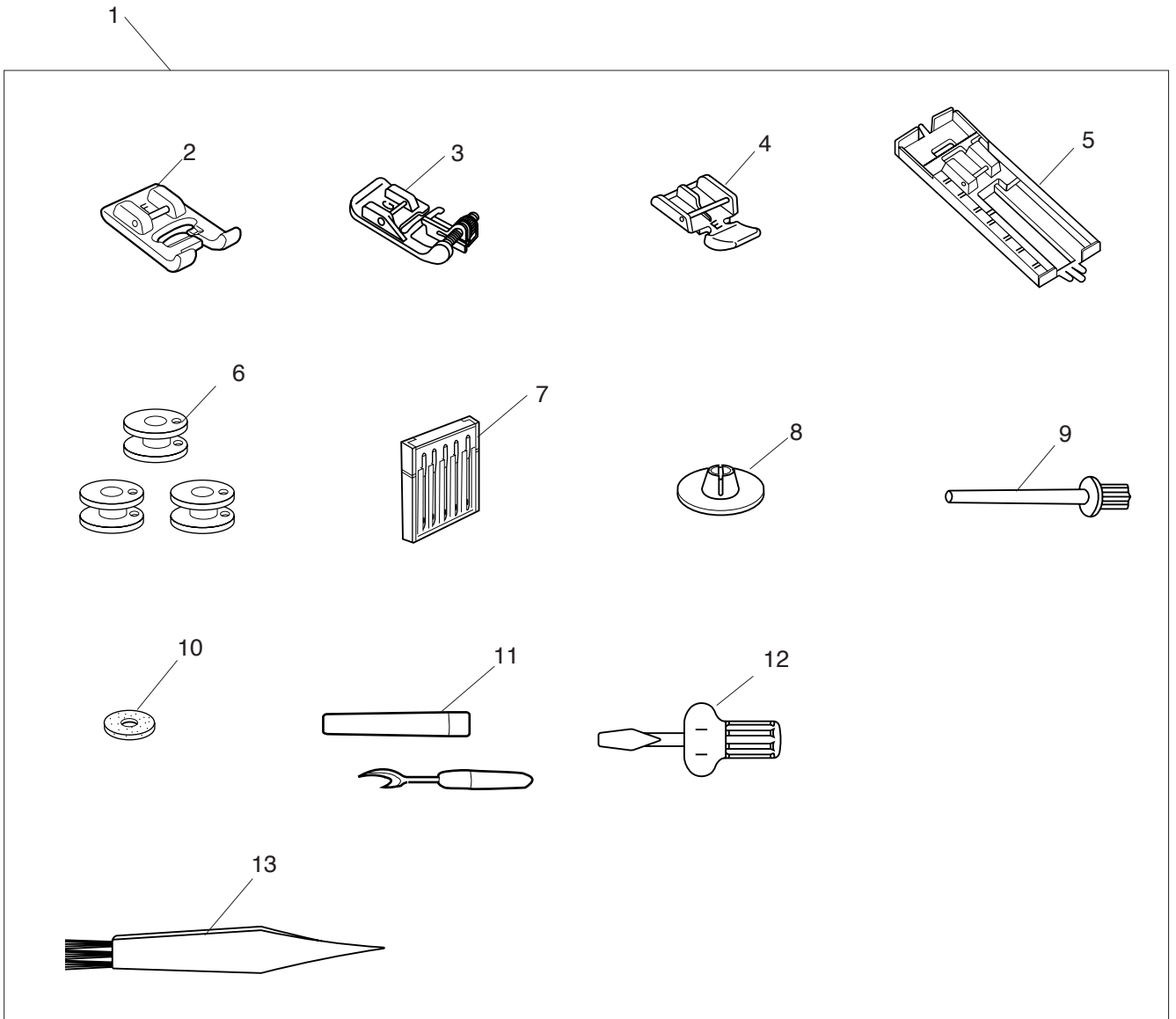
PARTS LIST

MODEL 2600

KEY NO.	PART NO.	DESCRIPTION
1	753619003	Idler (unit)
2	753119008	Idler base
3	625217100	Idler
4	000002806	Snap ring E6
5	000081005	Setscrew 4x8
6	507067001	Set plate
7	739503308	Machine socket (unit)
8	000060802	Nut 3-1-5.5
9	505064002	Machine socket cover
10	000107802	Setscrew 3x10(B)
11	000103509	Setscrew 4x10
12	752671309	Motor (unit)
13	000115504	Setscrew TP 5x10
14	000053709	Cord binder

PARTS LIST

MODEL 2600



PARTS LIST

MODEL 2600

KEY NO.	PART NO.	DESCRIPTION
1	507879004	Standard accessories (unit)
2	822804118	Satin stitch foot (unit)
3	820817015	Blind hem foot (unit)
4	829801002	Zipper foot (unit)
5	825813016	BH foot (unit)
6	102261000	Bobbin
7	540401026	Needle case (unit)
8	822019509	Spool holder (small)
9	625031500	Additional spool pin
10	102403109	Felt
11	647808009	Seam ripper (buttonhole opener) (unit)
12	820832005	Screwdriver (large)
13	802424004	Lint brush
14	042870308	Foot control (unit)
15	C2037-2	Foot control (unit)
16	507800554	Instruction book
17	479713401	Cover