

elna 8006

**PIECES DE RECHANGE
ERSATZTEILE
SPARE PARTS
PIEZAS DE RECAMBIO**

APRIL 1997

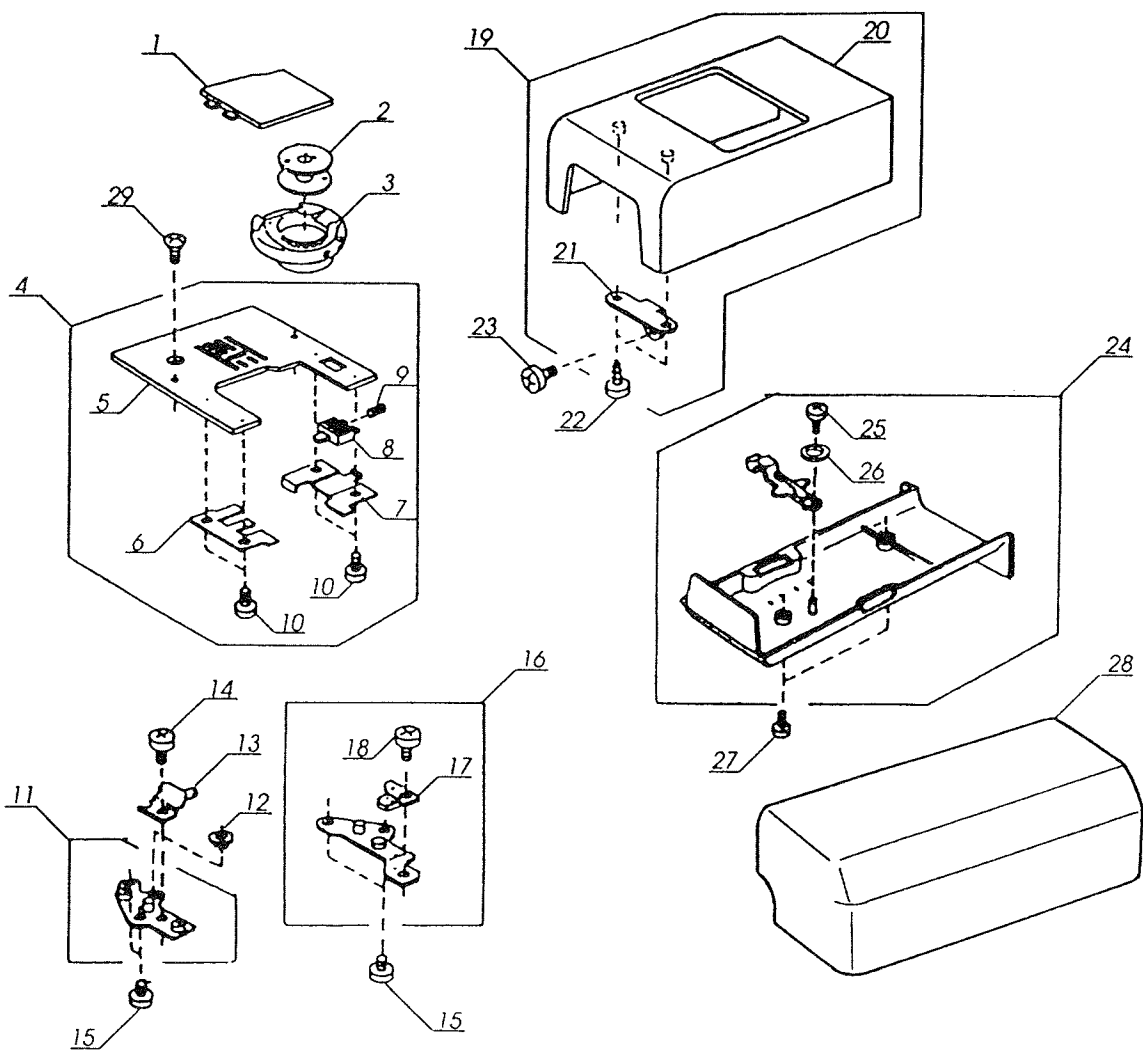
395 901-90

INDEX

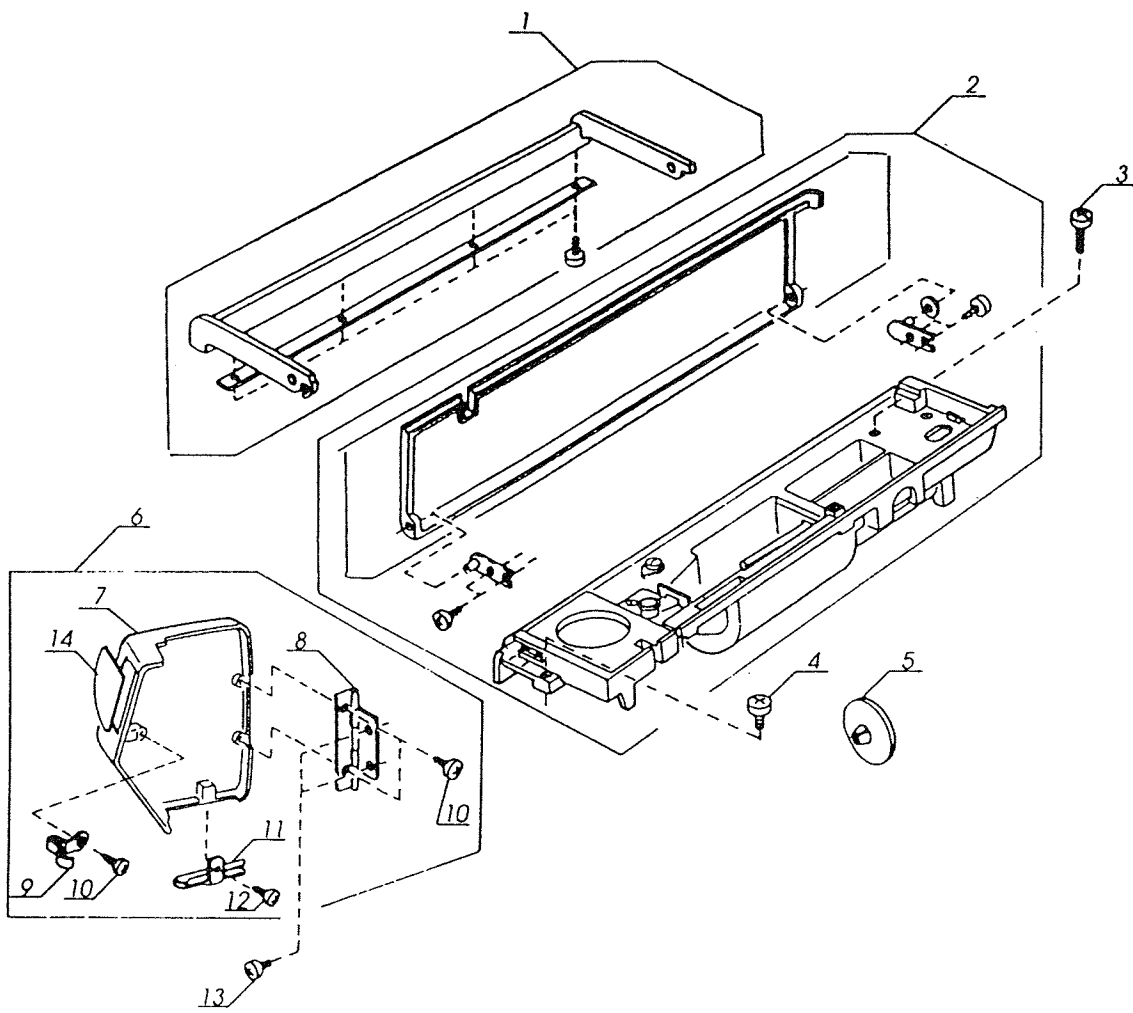
8006

1. Accessory box, needle plate, free arm cover, bottom cover, bobbin case.
2. Top cover, handle, face plate.
3. Hook race, feed stepping motor, rear cover.
4. Needle bar, thread tension, zigzag width rod.
5. Presser bar, presser foot, presser lever, front bracket, lamp socket/lamp.
6. Take-up lever, upper shaft, handwheel, timing belt.
7. Lower shaft, feed rock shaft, feed dog, lower shaft gear.
8. Front panel, LCD, circuit board A, circuit board F.
9. Base, machine socket, transformer, circuit board C.
10. Belt cover, belt, zigzag stepping motor, bobbin winder, motor.
11. Accessories, foot control, cord, hard cover, instruction manual.
12. Parts number index

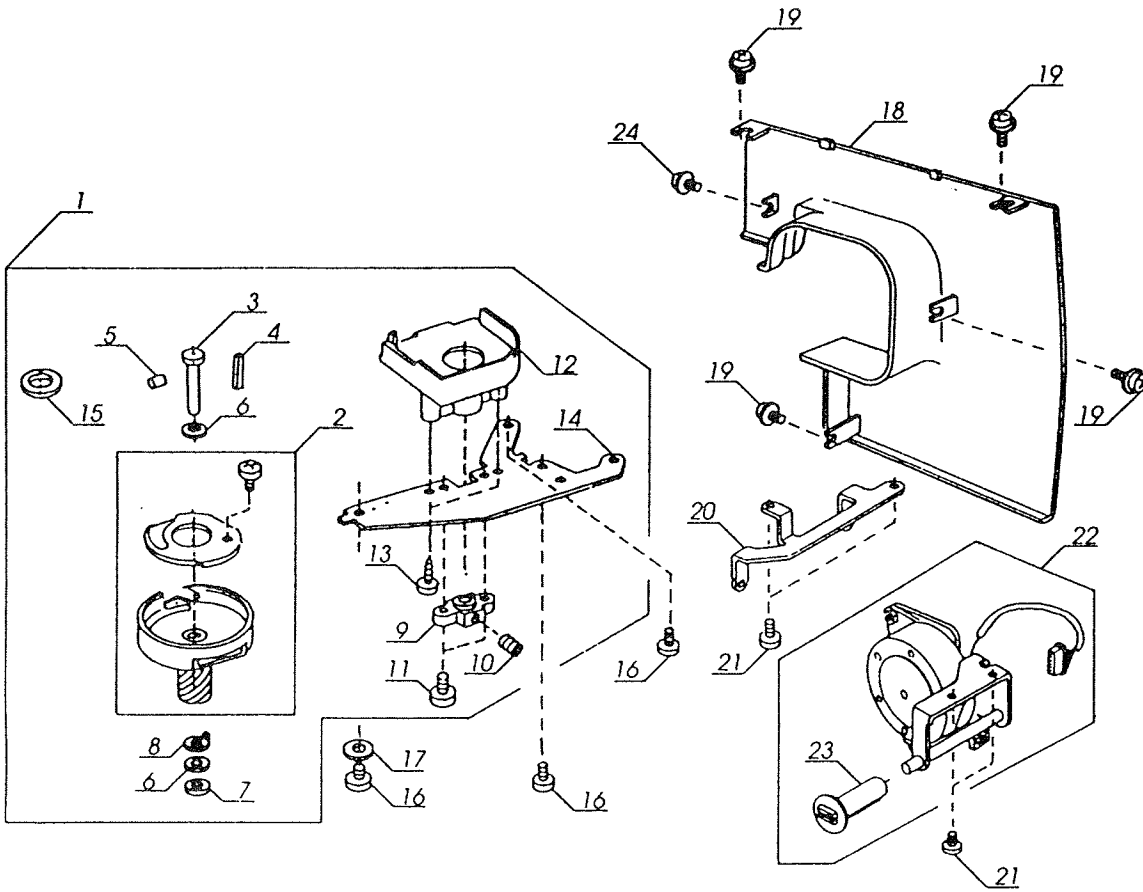
REF. NO.	ELNA PART NO.	DESIGNATION
1	395 725-79	HOOK COVER PLATE
2	494 430-00	BOBBIN
3	395 719-69	BOBBIN HOLDER
4	395 725-81	NEEDLE PLATE UNIT
5	395 729-51	NEEDLE PLATE
6	395 713-16	HOOK COVER PLATE SUPPORTER (L)
7	395 713-17	HOOK COVER PLATE SUPPORTER (R)
8	395 713-18	HOOK COVER, PLATE RELEASE BUTTON
9	395 713-19	SPRING
10	395 716-72	SET SCREW 2 X 2.3
11	395 713-22	NEEDLE PLATE SET PLATE (L) UNIT
12	395 713-24	NUT
13	395 713-23	STOPPER
14	395 711-06	SET SCREW 3 X 5
15	395 716-79	SET SCREW 4 X 6
16	395 713-25	NEEDLE PLATE SET PLATE (R) UNIT
17	395 713-26	STOPPER UNIT
18	395 713-27	SET SCREW
19	395 729-52	FREE ARM COVER UNIT
20	395 729-53	FREE ARM COVER
21	395 729-54	FREE ARM COVER SET PLATE
22	395 713-65	SET SCREW 3 X 8 (B)
23	395 710-38	SET SCREW 4 X 6
24	395 729-55	BED COVER UNIT
25	395 716-93	SET SCREW 2.6 X 6 (8)
26	395 716-86	WASHER
27	395 711-12	SET SCREW 4 X 12
28	395 729-56	EXTENSION BOX UNIT
29	395 716-73	NEEDLE PLATE SET SCREW



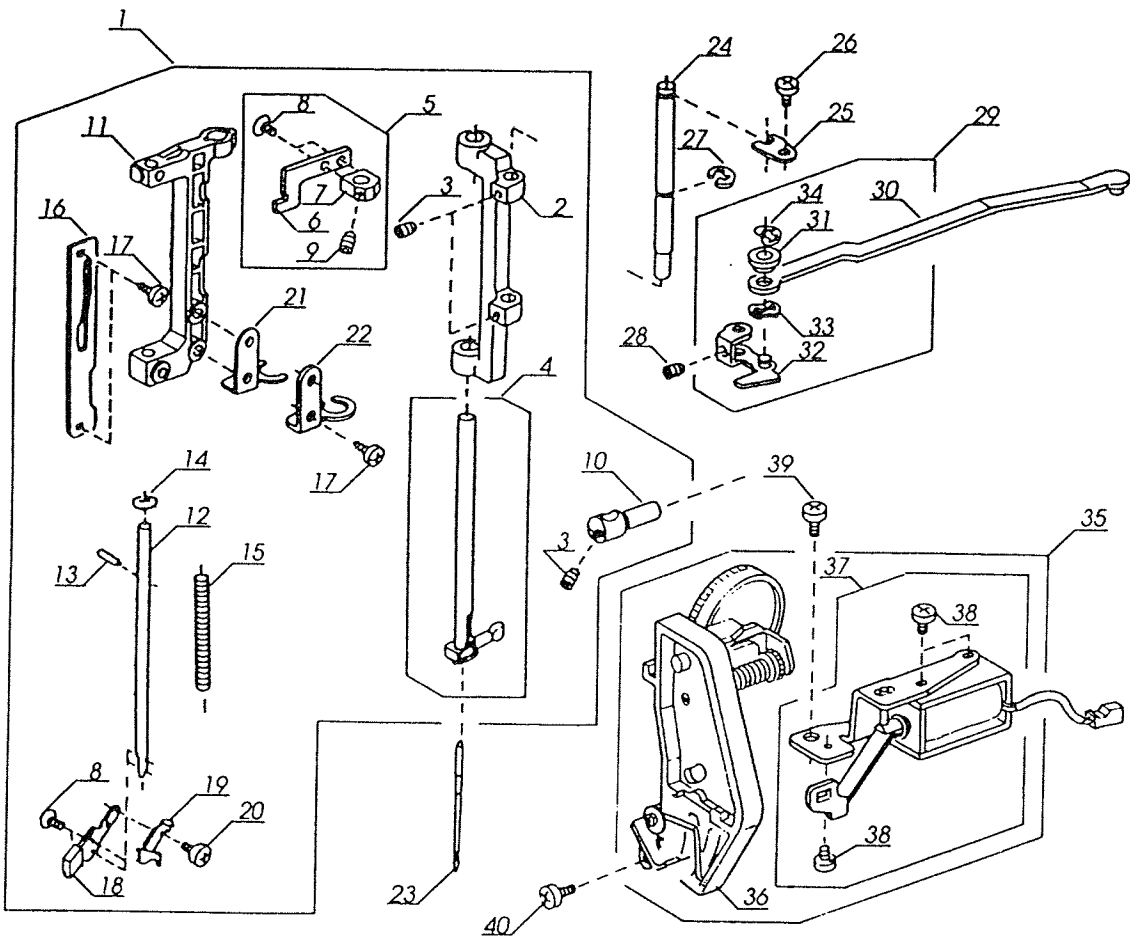
REF. NO.	ELNA PART NO.	DESIGNATION
1	395 717-00	HANDLE UNIT
2	395 729-57	TOP COVER UNIT
3	395 717-25	SET SCREW 4 X 25
4	395 710-42	SET SCREW 4 X 8
5	395 719-39	SPOOL HOLDER (LARGE)
6	395 729-58	FACE PLATE UNIT
7	395 729-59	FACE PLATE
8	395 713-50	FACE PLATE HINGE UNIT
9	395 713-48	FACE PLATE SPRING
10	395 713-65	SET SCREW 3 X 8 (B)
11	395 717-48	THREAD CUTTER UNIT
12	395 716-94	SET SCREW 3 X 6 (B)
13	395 717-49	SET SCREW 4 X 6
14	395 729-60	ORNAMENTAL PLATE



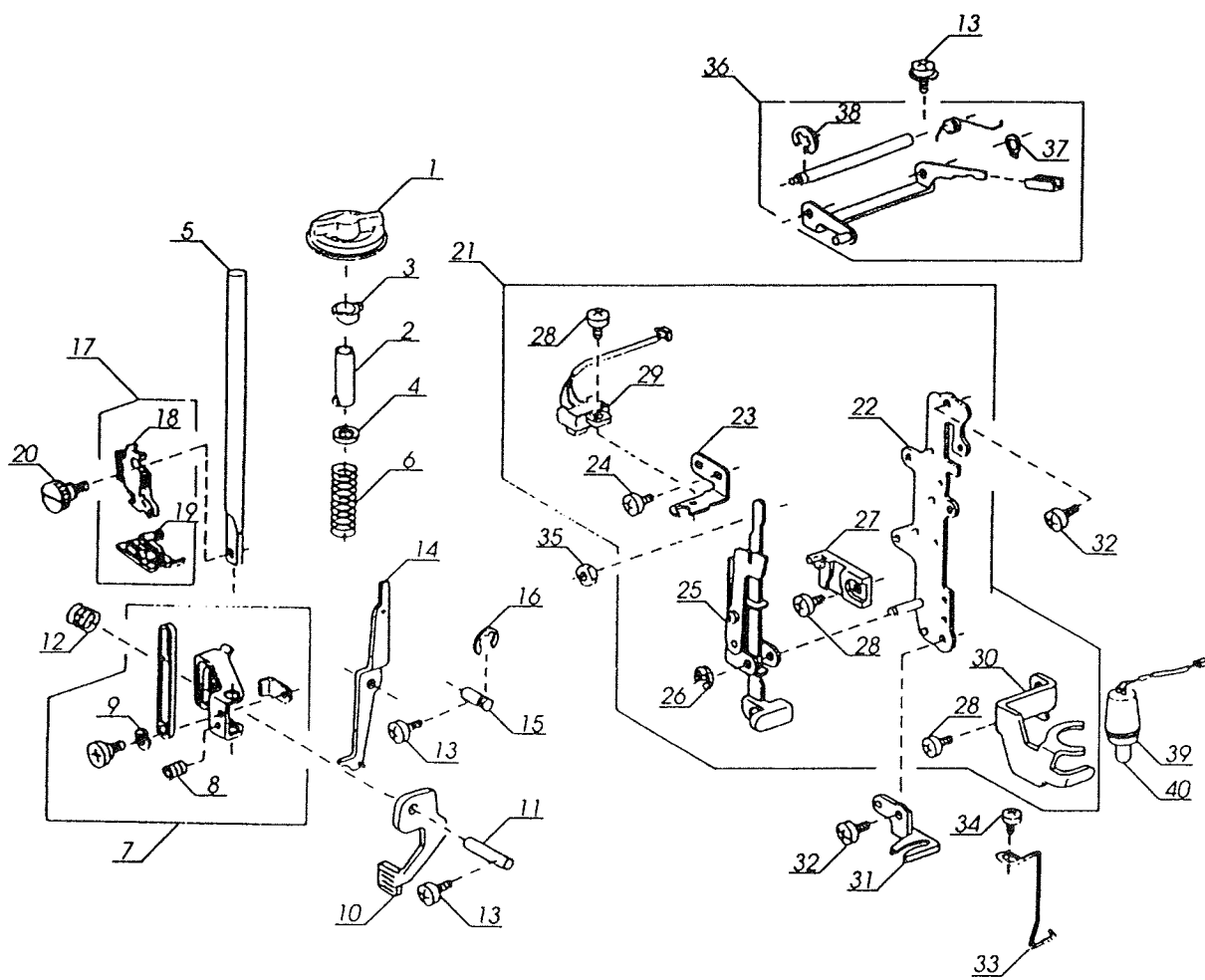
REF. NO.	ELNA PART NO.	DESIGNATION
1	395 729-61	HOOK RACE COMPLETE UNIT
2	395 729-62	HOOK RACE UNIT
3	395 714-74	HOOK RACE SHAFT
4	395 714-75	OIL WICK (1)
5	395 714-76	OIL WICK (2)
6	395 717-29	WASHER
7	395 714-78	WASHER
8	395 714-79	WASHER,
9	395 714-80	HOOK RACE SHAFT SEI PLATE
10	395 711-25	SET SCREW 5 X 5
11	395 710-42	SET SCREW 4 X 8
12	395 726-23	HOOK RACE COVER
13	395 714-82	SET SCREW 3 X 12(8)
14	395 726-24	HOOK RACE SET PLATE
15	395 714-86	MAGNET
16	395 717-36	SETSCREW
17	395 714-23	WASHER
18	395 729-63	REAR COVER
19	395 715-50	SET SCREW 4 X 8
20	395 729-64	COVER SET PLATE
21	395 717-51	SET SCREW 4 X 8
22	395 729-65	FEED STEPPING MOTOR UNIT
23	395 729-66	ADJUSTING KNOB
24	395 710-41	SET SCREW 4 X 6



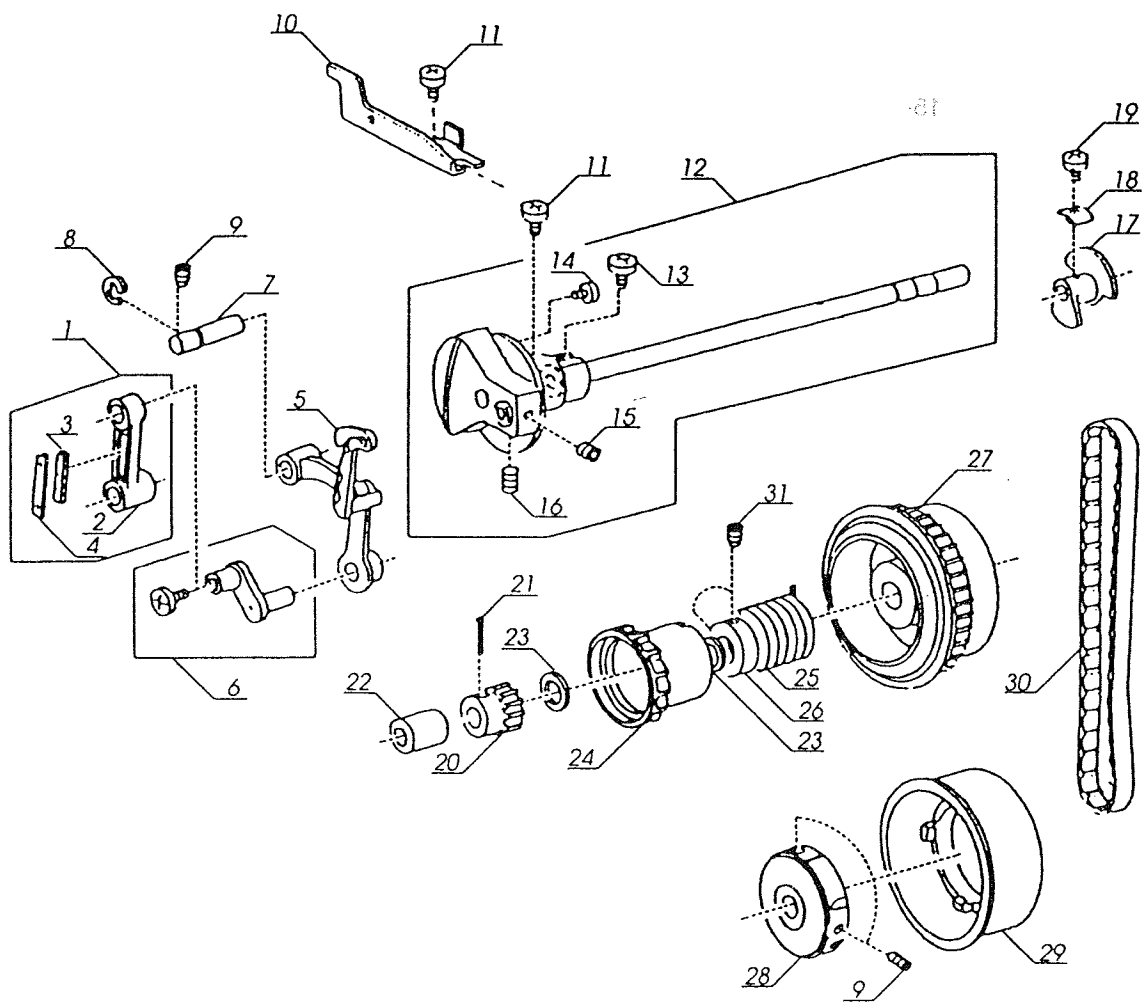
REF. NO.	ELNA PART NO.	DESIGNATION
1	395 729-67	NEEDLE BAR SUPPORTER UNIT
2	395 723-56	NEEDLE BAR SUPPORTER
3	395 712-14	SET SCREW 4 X 4
4	395 729-68	NEEDLE BAR UNIT
5	395 718-23	THREADER POSITION SET PLATE UNIT
6	395 718-24	THREADER POSITION SET PLATE
7	395 718-25	THREADER POSITION SET HOLDER
8	395 728-26	SET SCREW 2 X 4
9	395 718-21	SET SCREW 3 X 4
10	395 718-27	NEEDLE BAR CONNECTING STUD COMPLETE
11	395 718-28	THREADER FRAME
12	395 718-29	THREADER BAR
13	395 718-30	PIN
14	395 718-31	HOLDING PLATE
15	395 718-32	THREADER BAR SPRING
16	395 718-33	THREADER GUIDE PLATE
17	395 718-34	SET SCREW 3 X 10(B)
18	395 729-69	THREADER LEVER
19	395 718-37	THREADER PLATE UNIT
20	395 718-38	SET SCREW 1.6 X 2.5
21	395 718-39	THREADER FRAME SPRING
22	395 718-40	THREADER FRAME (LOWER)
23	395 714-30	NEEDLE
24	395 714-35	NEEDLE BAR SUPPORTER SHAFT
25	395 714-36	NEEDLE BAR SUPPORTER SHAFT STOPPING
26	395 717-51	SET SCREW 4 X 8
27	395 710-96	SNAP RING E-5
28	395 714-39	SET SCREW 4 X 6
29	395 729-70	ZIGZAG WIDTH ROD UNIT
30	395 729-71	ZIGZAG WIDTH ROD
31	395 729-72	ZIGZAG WIDTH ARM BIJSHING
32	395 729-73	ZIGZAG WIDTH ARM
33	395 710-90	WASHER
34	395 711-03	SNAP RING E-3
35	395 729-74	THREAD TENSION COMPLETE UNIT
36	395 729-75	THREAD TENSION UNIT
37	395 729-76	SOLENOID UNIT
38	395 711-06	SET SCREW 3 X 5
39	395 717-36	SET SCREW 4 X 10
40	395 717-76	SET SCREW 4 X 14



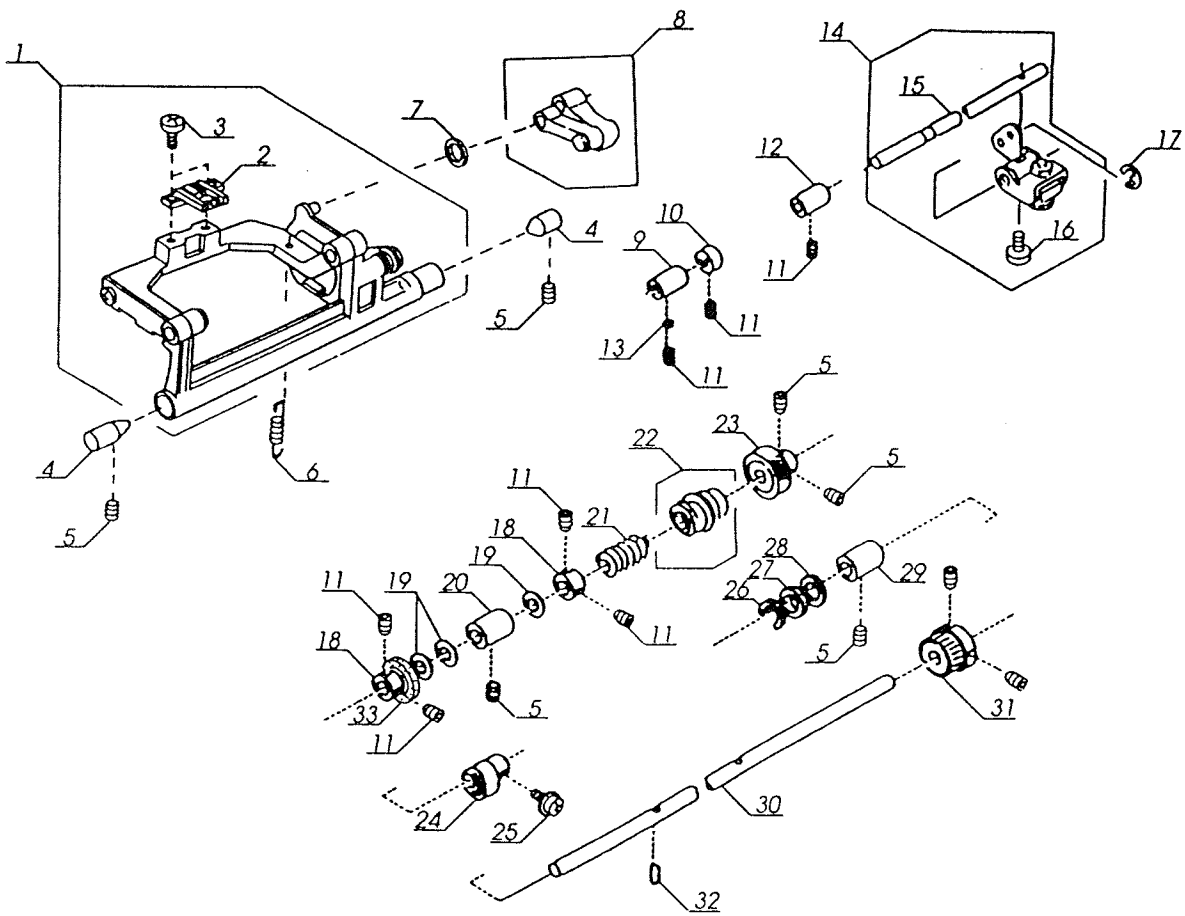
REF. NO.	ELNA PART NO.	DESIGNATION
1	395 717-79	PRESSURE ADJUSTING DIAL
2	395 717-81	PRESSER BAR BUSHING
3	395 717-80	PRESSURE ADJUSTING CAM
4	395 717-82	PLAIN WASHER
5	395 717-83	PRESSER BAR
6	395 717-84	PRESSER BAR SPRING
7	395 717-88	PRESSER BAR SUPPORTER
8	395 710-94	SET SCREW 4 X 8
9	395 717-39	WASH E R
10	395 729-77	PRESSER BAR LIFTER
11	395 714-22	PRESSER BAR LIFTER PIN
12	395 714-20	SPRING
13	395 718-10	SET SCREW 4 X 10
14	395 729-78	TENSION RELEASING LEVER
15	395 717-97	TENSION RELEASING LEVER PIN
16	395 711-24	SNAP RING E-4
17	395 729-79	PRESSER FOOT UNIT
18	395 717-86	FOOT HOLDER UNIT
19	395 719-67	ZIGZAG FOOT UNIT
20	395 717-87	THUMB SCREW
21	395 729-80	FRONT BRACKET UNIT
22	395 729-81	FRONT BRACKET
23	395 718-01	SENSOR SET PLATE
24	395 713-96	SET SCREW 3 X 4
25	395 718-02	BH LEVER UNIT
26	395 711-03	SNAP RING E-3
27	395 727-16	BH LEVER GUIDE
28	395 711-06	SET SCREW 3 X 5
29	395 729-82	PHOTOSENSOR UNIT
30	395 729-83	LAMP SET PLATE
31	395 729-84	THREADER GUIDE
32	395 717-36	SET SCREW 4 X 10
33	395 729-85	ARM THREAD GUIDE
34	395 717-51	SET SCREW 4 X 8
35	395 710-39	HEXAGONAL NUT
36	395 729-86	PRESSURE FUNCTIONING ARM UNIT
37	395 718-15	GRIP RING 6
38	395 710-96	SNAP RING E-5
39	395 723-43	LAMP SOCKET UNIT
40	395 722-99	HALOGEN LAMP



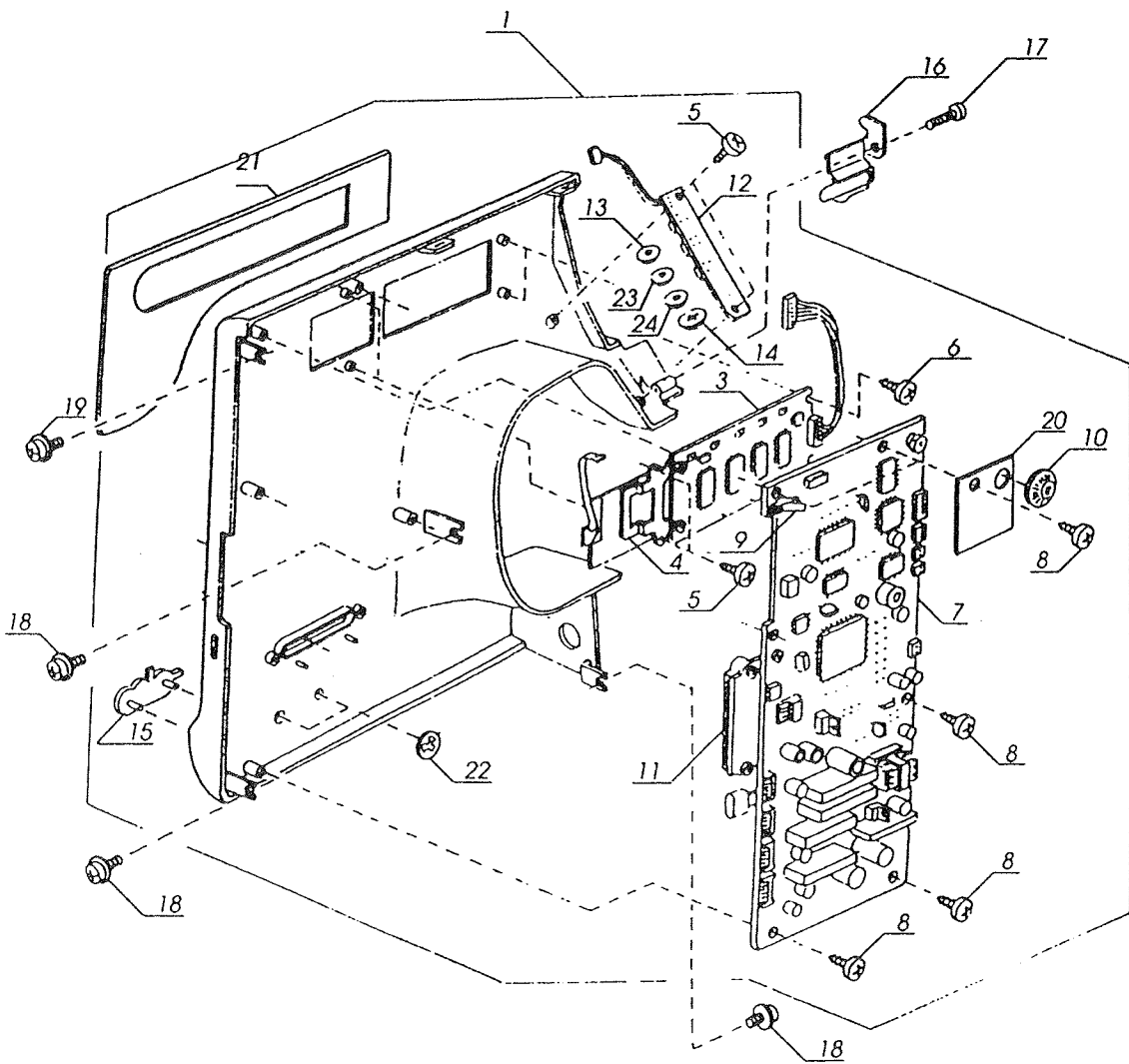
REF. NO.	ELNA PART NO.	DESIGNATION
1	395 718-51	NEEDLE BAR CRANK ROD UNIT
2	395 718-52	NEEDLE BAR CRANK ROD
3	395 714-33	FELT
4	395 714-34	SPRING
5	395 723-68	THREAD TAKE-UP LEVER UNIT
6	395 723-67	NEEDLE BAR CRANK PIN UNIT
7	395 714-54	PIN
8	395 714-55	SNAP RING E-6
9	395 712-14	SET SCREW 4 X 4
10	395 729-87	cone GUIDE (1)
11	395 717-51	SET SCREW 4 X 8
12	395 729-88	UPPER SHAFT UNIT
13	395 712-61	SET SCREW 4 X 10
14	395 716-07	SET SCREW 3 X 6
15	395 729-89	SET SCREW 5 X 4
16	395 711-63	SET SCREW 5 X 8
17	395 718-59	UPPER SHAFT SHIELDING PLATE
18	395 718-60	PLAIN WASHER
19	395 710-42	SET SCREW 4 X 8
20	395 718-61	UPPER SHAFT TIMING WHEEL
21	395 718-62	SPRING PIN
22	395 714-45	BUSHING (REAR)
23	395 729-90	WASHER
24	395 718-63	DECLUTCH RELEASING RING
25	395 718-64	CLUTCH SPRING
26	395 718-65	CLUTCH RING
27	395 718-66	BELT WHEEL
28	395 718-67	HANDWHEEL BASE
29	395 718-68	HANDWHEEL
30	395 714-47	TIMING BELT
31	395 711-25	SET SCREW 5 X 5



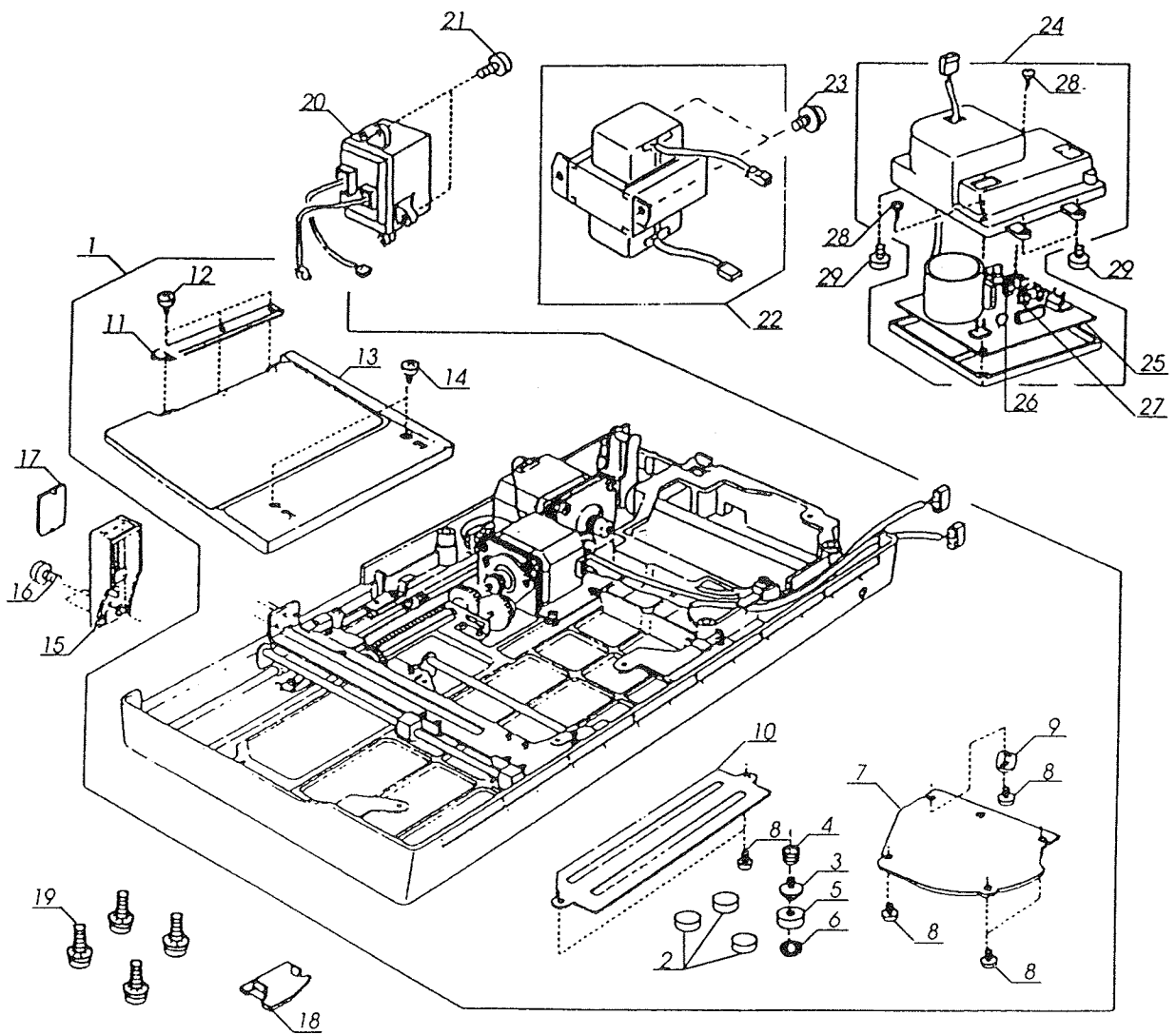
REF. NO.	ELNA PART NO.	DESIGNATION
1	395 729-91	FEED ROCK SHAFT UNIT
2	395 726-11	FEED DOG
3	395 727-65	SET SCREW 3.5 X 8
4	395 723-62	SCREW CENTER
5	395 711-25	SET SCREW 5 X 5
6	395 714-68	SPRING
7	395 718-44	WASHER
8	395 714-70	FEED REGULATOR UNIT
9	395 715-30	BUSHING (FRONT)
10	395 715-33	RING
11	395 712-14	SET SCREW 4 X 4
12	395 715-31	BUSHING (REAR)
13	395 715-32	WASHER
14	395 729-92	FEED SHAFT UNIT
15	395 718-77	FEED SHAFT
16	395 718-78	SET SCREW 3 X 12
17	395 711-03	SNAP RING E-3
18	395 715-00	LOWER SHAFT RING
19	395 718-87	WASHER
20	395 715-02	LOWER SHAFT BUSHING (FRONT)
21	395 715-01	FEED LIFTING CAM SPRING
22	395 729-93	FEED LIFTING CAM UNIT
23	395 714-97	LOWER SHAFT GEAR
24	395 727-57	FEED CAM
25	395 715-16	SET SCREW 3 X 8
26	395 718-88	FELT HOLDER
27	395 712-42	FELT(1)
28	395 712-37	WASHER
29	395 715-03	LOWER SHAFT BUSHING (REAR)
30	395 729-94	LOWER SHAFT
31	395 718-86	LOWER SHAFT TIMING GEAR
32	395 714-99	FEED LIFTING PIN
33	395 711-61	FELT



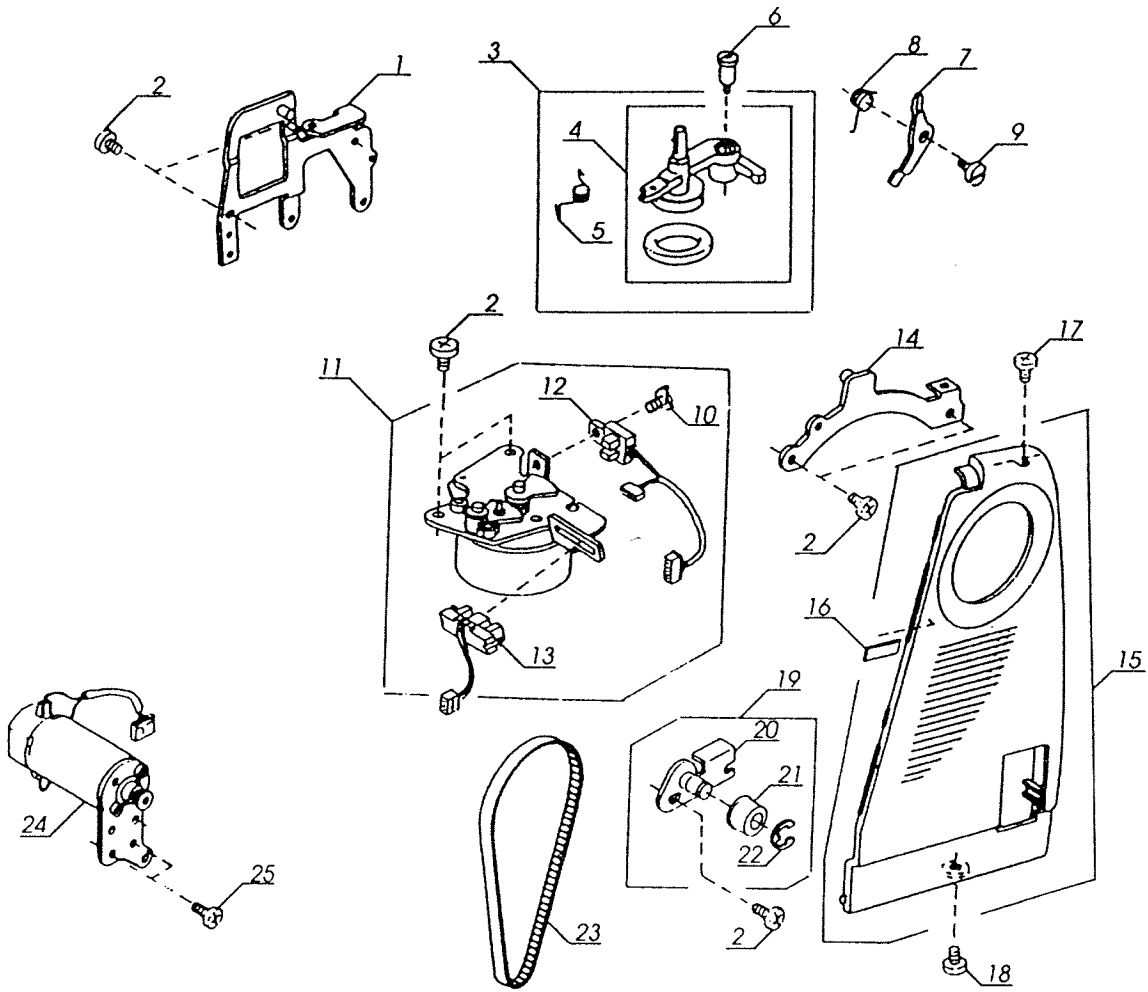
REF. NO.	ELNA PART NO.	DESIGNATION
1	395 729-95	FRONT PANEL UNIT
2	395 729-96	FRONT PANEL
3	395 729-97	LCD UNIT
4	395 729-98	LCD SET PLATE
5	395 713-65	SET SCREW 3 X 8 (B)
6	395 729-99	SET SCREW 2.3 X 8
7	395 732-00	A BOARD UNIT
8	395 710-35	SET SCREW 3 X 10
9	395 732-01	SWITCH COVER UNIT
10	395 732-02	LCD ADJUSTING KNOB
11	395 732-03	CARD GUIDE (1)
12	395 732-04	"F" BOARD UNIT
13	395 732-05	R BUTTON
14	395 732-06	BUTTON
15	395 710-48	ELNA NAME PLATE
16	395 722-21	ARM THREAD GUIDE (LOWER)
17	395 722-22	SET SCREW 3.5 X 25
18	395 715-50	SET SCREW 4 X 8
19	395 732-07	SET SCREW 3 X 4
20	395 732-08	INSULATING PAPER
21	395 732-09	FRONT PANEL(1)
22	395 710-49	CS RING 3
23	395 732-10	R BUTTON
24	395 732-11	R BUTTON



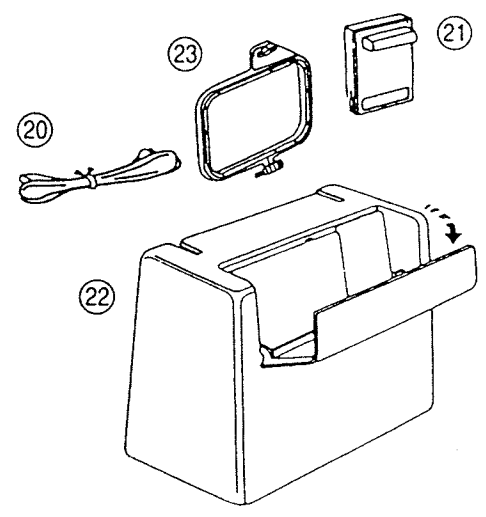
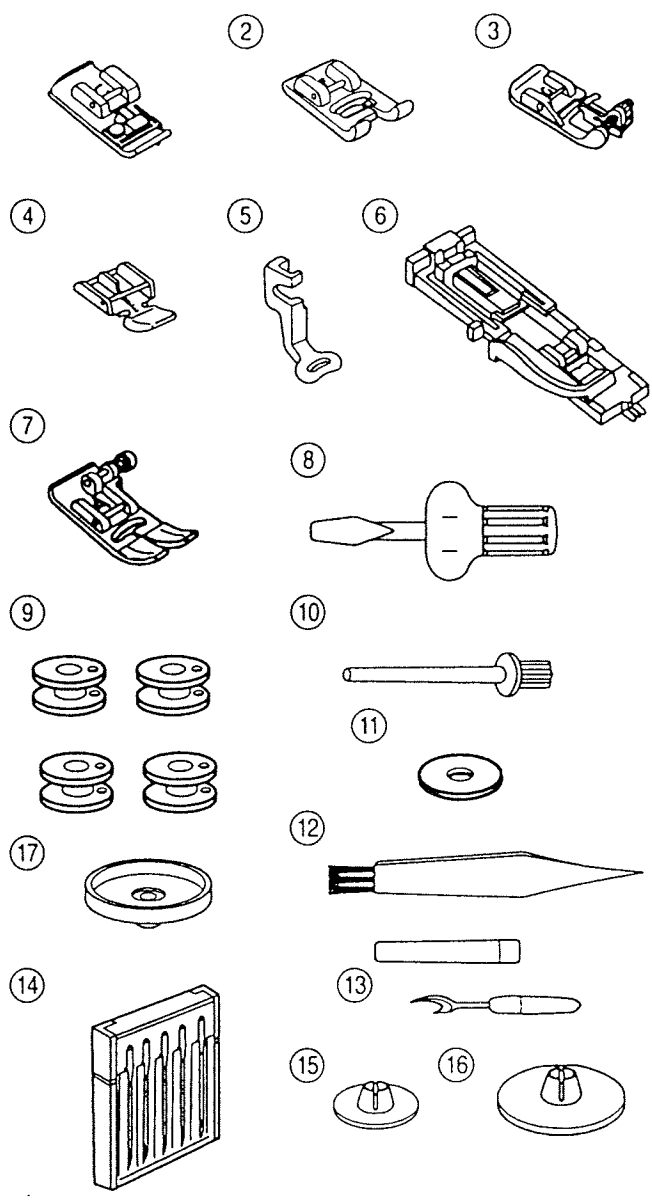
REF. NO.	ELNA PART NO.	DESIGNATION
1	395 732-12	BASE UNIT (COMPLETE)
2	395 722-25	RUBBER CUSHION
3	395 722-26	ADJUSTING SCREW
4	395 722-27	SPRING
5	395 722-28	RUBBER CUSHION
6	395 722-29	CS RING
7	395 732-13	BASE LID (2)
8	395 722-44	SET SCREW
9	395 732-14	WASHER
10	395 732-15	BASE LID()
11	395 732-16	CARRIAGE WINDOW FRAME UNIT
12	395 717-19	SET SCREW 3 X 6
13	395 732-17	BASE COVER UNIT
14	395 722-53	SET SCREW 4 X 6
15	395 732-18	CARRIAGE PLATE UNIT
16	395 732-19	SET SCREW 3 X 5
17	395 732-20	COVER LID
18	395 732-21	BASE LID (3)
19	395 732-22	SET SCREW 6 X 35
20	395 732-23	MACHINE SOCKET UNIT FOR 120V
	395 732-24	MACHINE SOCKET UNIT FOR 240V
21	395 712-61	SET SCREW 4 X 10
22	395 732-25	TRANSFORMER UNIT FC)R 120V
	395 732-26	TRANSFORMER UNIT FOR 240V
23	395 732-27	SET SCREW 4 X 8
24	395 732-28	C BOARD COMPLETE UNIT FOR 120V
	395 732-29	C BOARD COMPLETE UNIT FOR 240V
25	395 732-30	C BOARD UNIT FOR 120V
	395 732-31	C BOARD UNIT FOR 240V
26	395 727-84	FUSE AC 250V. 3. 15A F(~R 120V
	395 727-85	FUSE AC 250V. 5A FOR 240V
27	395 727-82	FUSE AC 125V. 2.5A FOR 120V
	395 727-83	FUSE AC 250V. 2A FOR 240V
28	395 722-10	SET SCREW 3 X 12(8)
29	395 717-36	SET SCREW 4 X 10



REF. NO.	ELNA PART NO.	DESIGNATION
1	395 732-32	HANDLE BASE PLATE (F RONT)
2	395 717-51	SET SCREW 4 X 8
3	395 732-33	BOBBIN WINDER UNIT (COMPLETE)
4	395 722-78	BOBBIN WINDER UNIT
5	395 722-79	SPRING
6	395 722-80	HINGE SCREW
7	395 722-81	DECLUTCH ARM
8	395 722-82	SPRING
9	395 722-83	HINGE SCREW
10	395 711-06	SET SCREW 3 X 5
11	395 732-34	ZIGZAG WIDTH STEPPING MOTOR
12	395 732-35	PHOTOSENSOR UNIT
13	395 722-63	PHOIOSENSOR
14	395 732-36	HANDLE BASE PLATE (REAR)
15	395 732-37	BELT COVER UNIT
16	395 732-38	STICKER
17	395 715-16	SET SCREW 3 X 8
18	395 710-60	SET SCREW 3 X 8
19	395 732-39	IDLER UNIT
20	395 732-40	IDLER SET PLATE
21	395 722-74	IDLER
22	395 711-34	SNAP RING E-6
23	395 722-69	TIMING BELT
24	395 732-41	MOTOR UNIT
25	395 722-71	SET SCREW 4 X 10



REF. NO.	ELNA PART NO.	DESIGNATION
1	395 719-46	C: Overlock foot
2	395 719-32	F: Satin stitch foot
3	395 719-35	G: Blind hem foot
4	395 719-64	E: Zipper foot
5	395 721-98	P: Embroidery foot
6	395 719-30	R: Automatic buttonhole foot
7	395 719-29	A: Metal foot (listed in parts list)
8	395 710-09	Screwdriver
9	494 430-20	Bobbins
10	395 719-42	Additional spool pin
11	395 719-41	Spool pin felt
12	395 719-36	Lint brush
13	395 719-44	Seam ripper
14	395 719-37	Set of needles
15	395 719-38	Small spool holder
16	395 719-39	Large spool holder
17	395 719-63	Spool stand
18	395 729-56	Extension table (Accessory storage box)
20	395 722-01	Power supply cord (USA, Canada)
	395 722-02	Power supply cord (Australia)
	395 722-00	Power supply cord (Switzerland, etc.)
	395 722-93	Power supply cord (UK)
21	395 722-91	Foot control
22	395 719-74	Carrying case
23	395 721-51	Embroidery hoop No. 1
	395 732-42	Carton box not illustrated
	395 732-43	Set of styro-foams not illustrated
	395 730-22	Instruction book (English) not illustrated
	395 730-21	Instruction book (German) not illustrated
	395 730-27	Instruction book (French) not illustrated



395 710-09	11	395 714-78	3
395 710-35	8	395 714-79	3
395 710-38	1	395 714-80	3
395 710-39	5	395 714-82	3
395 710-41	3	395 714-86	3
395 710-42	2, 3, 6	395 714-97	7
395 710-48	8	395 714-99	7
395 710-49	8	395 715-00	7
395 710-60	10	395 715-01	7
395 710-90	4	395 715-02	7
395 710-94	5	395 715-03	7
395 710-96	4, 5	395 715-16	7, 10
395 711-03	4, 5, 7	395 715-30	7
395 711-06	1, 4, 5, 10	395 715-31	7
395 711-12	1	395 715-32	7
395 711-24	5	395 715-33	7
395 711-25	3, 6, 7	395 715-50	3, 8
395 711-34	10	395 716-07	6
395 711-61	7	395 716-72	1
395 711-63	6	395 716-73	1
395 712-14	4, 6, 7	395 716-79	1
395 712-37	7	395 716-86	1
395 712-42	7	395 716-93	1
395 712-61	6, 9	395 716-94	2
395 713-16	1	395 717-00	2
395 713-17	1	395 717-19	9
395 713-18	1	395 717-25	2
395 713-19	1	395 717-29	3
395 713-22	1	395 717-36	3, 4, 5, 9
395 713-23	1	395 717-39	5
395 713-24	1	395 717-48	2
395 713-25	1	395 717-49	2
395 713-26	1	395 717-51	3, 4, 5, 6, 10
395 713-27	1	395 717-76	4
395 713-48	2	395 717-79	5
395 713-50	2	395 717-80	5
395 713-65	1, 2, 8	395 717-81	5
395 713-96	5	395 717-82	5
395 714-20	5	395 717-83	5
395 714-22	5	395 717-84	5
395 714-23	3	395 717-86	5
395 714-30	4	395 717-87	5
395 714-33	6	395 717-88	5
395 714-34	6	395 717-97	5
395 714-35	4	395 718-01	5
395 714-36	4	395 718-02	5
395 714-39	4	395 718-10	5
395 714-45	6	395 718-15	5
395 714-47	6	395 718-21	4
395 714-54	6	395 718-23	4
395 714-55	6	395 718-24	4
395 714-68	7	395 718-25	4
395 714-70	7	395 718-27	4
395 714-74	3	395 718-28	4
395 714-75	3	395 718-29	4
395 714-76	3	395 718-30	4

395 718-31	4	395 722-44	9
395 718-32	4	395 722-53	9
395 718-33	4	395 722-63	10
395 718-34	4	395 722-69	10
395 718-37	4	395 722-71	10
395 718-38	4	395 722-74	10
395 718-39	4	395 722-78	10
395 718-40	4	395 722-79	10
395 718-44	7	395 722-80	10
395 718-51	6	395 722-81	10
395 718-52	6	395 722-82	10
395 718-59	6	395 722-83	10
395 718-60	6	395 722-91	11
395 718-61	6	395 722-93	11
395 718-62	6	395 722-99	5
395 718-63	6	395 723-43	5
395 718-64	6	395 723-56	4
395 718-65	6	395 723-62	7
395 718-66	6	395 723-67	6
395 718-67	6	395 723-68	6
395 718-68	6	395 725-79	1
395 718-77	7	395 725-81	1
395 718-78	7	395 726-11	7
395 718-86	7	395 726-23	3
395 718-87	7	395 726-24	3
395 718-88	7	395 727-16	5
395 719-29	11	395 727-57	7
395 719-30	11	395 727-65	7
395 719-32	11	395 727-82	9
395 719-35	11	395 727-83	9
395 719-36	11	395 727-84	9
395 719-37	11	395 727-85	9
395 719-38	11	395 728-26	4
395 719-39	2,11	395 729-51	1
395 719-41	11	395 729-52	1
395 719-42	11	395 729-53	1
395 719-44	11	395 729-54	1
395 719-46	11	395 729-55	1
395 719-63	11	395 729-56	1,11
395 719-64	11	395 729-57	2
395 719-67	5	395 729-58	2
395 719-69	1	395 729-59	2
395 719-74	11	395 729-60	2
395 721-51	11	395 729-61	3
395 721-98	11	395 729-62	3
395 722-00	11	395 729-63	3
395 722-01	11	395 729-64	3
395 722-02	11	395 729-65	3
395 722-10	9	395 729-66	3
395 722-21	8	395 729-67	4
395 722-22	8	395 729-68	4
395 722-25	9	395 729-69	4
395 722-26	9	395 729-70	4
395 722-27	9	395 729-71	4
395 722-28	9	395 729-72	4
395 722-29	9	395 729-73	4

395 729-74	4	395 732-27	9
395 729-75	4	395 732-28	9
395 729-76	4	395 732-29	9
395 729-77	5	395 732-30	9
395 729-78	5	395 732-31	9
395 729-79	5	395 732-32	10
395 729-80	5	395 732-33	10
395 729-81	5	395 732-34	10
395 729-82	5	395 732-35	10
395 729-83	5	395 732-36	10
395 729-84	5	395 732-37	10
395 729-85	5	395 732-38	10
395 729-86	5	395 732-39	10
395 729-87	6	395 732-40	10
395 729-88	6	395 732-41	10
395 729-89	6	395 732-42	11
395 729-90	6	395 732-43	11
395 729-91	7	494 430-20	1,11
395 729-92	7		
395 729-93	7		
395 729-94	7		
395 729-95	8		
395 729-96	8		
395 729-97	8		
395 729-98	8		
395 729-99	8		
395 730-21	11		
395 730-22	11		
395 730-27	11		
395 732-00	8		
395 732-01	8		
395 732-02	8		
395 732-03	8		
395 732-04	8		
395 732-05	8		
395 732-06	8		
395 732-07	8		
395 732-08	8		
395 732-09	8		
395 732-10	8		
395 732-11	8		
395 732-12	9		
395 732-13	9		
395 732-14	9		
395 732-15	9		
395 732-16	9		
395 732-17	9		
395 732-18	9		
395 732-19	9		
395 732-20	9		
395 732-21	9		
395 732-22	9		
395 732-23	9		
395 732-24	9		
395 732-25	9		
395 732-26	9		