

ELNA 6001



**PIECES DE RECHANGE
ERSATZTEILE
SPARE PARTS
PIEZAS DE RECAMBIO**



INDEX

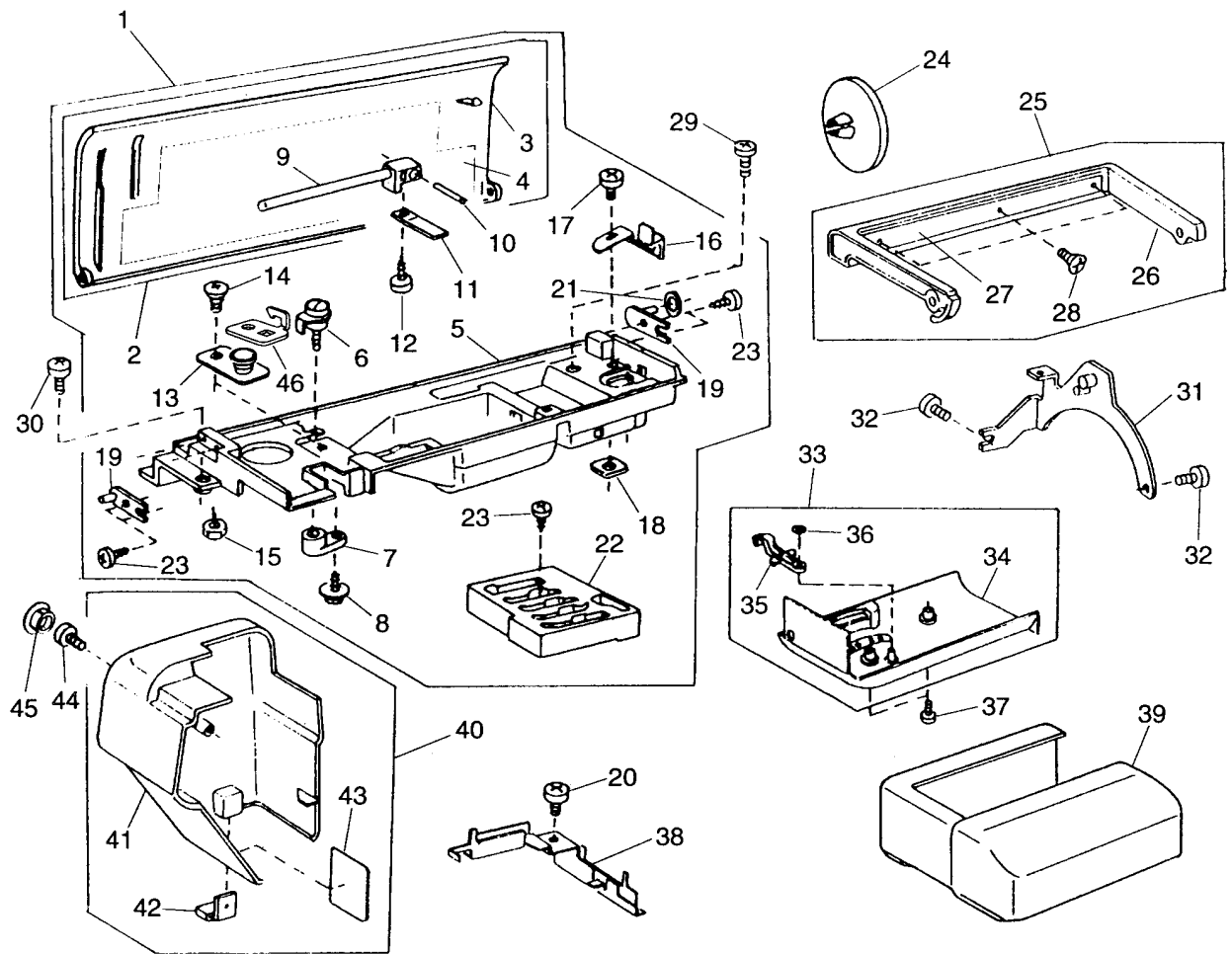
Top cover / Face plate / Accessory box / Handle	1
Front set plate / Needle bar supporter / Lamp (bulb)	2
Take up lever / Upper shaft / Timing belt / Hand wheel	3
Front panel / Circuit board K / Circuit board A / Circuit board F	4
Feed stepping motor / Base / Rear cover / Lower shaft	5
Needle plate / Bobbin holder / Presser bar / Presser foot lever	6
Feed rock shaft / Shuttle body (hook) / Feed lifting arm	7
ZZ stepping motor / Transformer / Motor / Machine socket	8
Accessory / Foot control / Instruction book / Hard cover	9

Exclusive parts for 6001 will start as from part number 395739-00

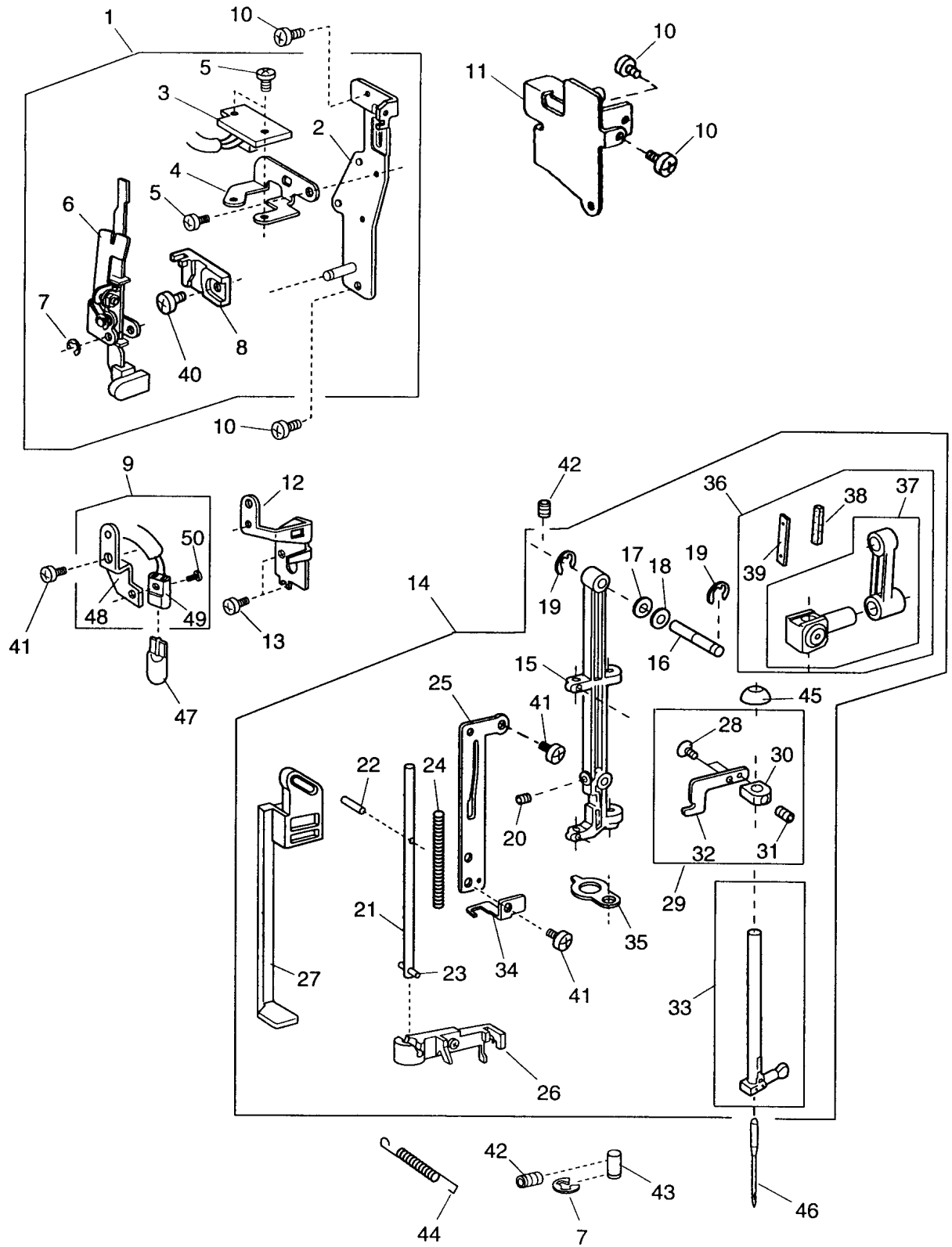
Les pièces exclusives de la 6001 commencent à partir du numéro 395739-00

Exklusivteile für die 6001 beginnen ab Teilenummer 395739-00

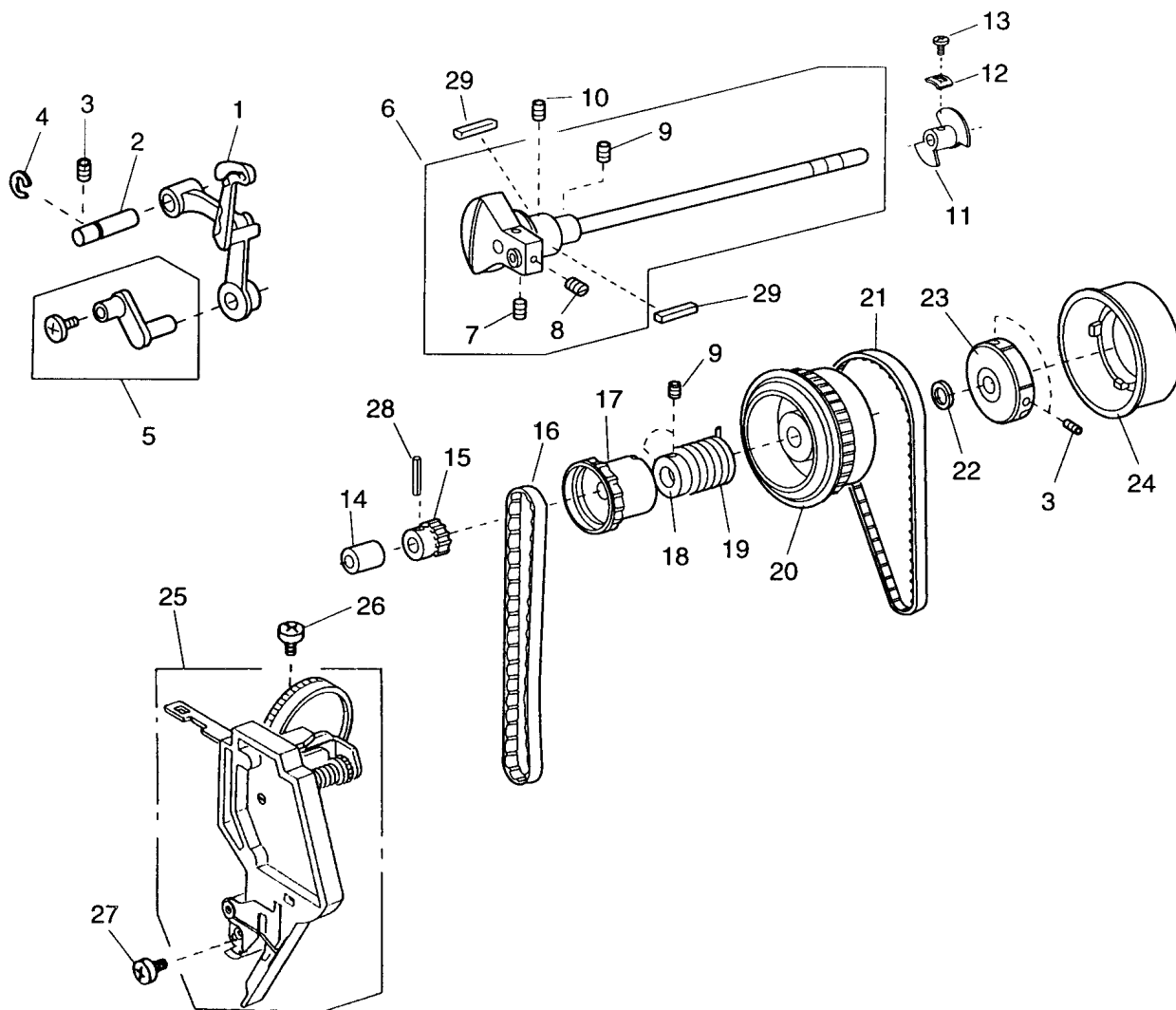
1	395739-21	Top cover unit
2	395739-22	Top cover unit
3	395727-02	Top cover
4	395739-30	Chart board 1
5	395738-09	Top cover body
6	395710-50	Bobbin winder thread guide unit
7	395713-71	Thread guide holder
8	395713-42	Tapping screw 3X10
9	395717-10	Spool pin
10	395713-68	Pin
11	395713-69	Spring
12	395713-70	Tapping screw 3x8B
13	395713-73	Top cover thread guide holder unit
14	395713-74	Flat screw
15	395713-75	Nut
16	395713-76	Bobbin winder stopper
17	395713-77	Set screw 3x8
18	395713-78	Nut
19	395717-21	Top cover hinge
20	395711-47	Set screw 4x8
21	395717-22	Washer
22	395723-28	Foot container
23	395713-83	Tapping screw 3x8B
24	395719-39	Spool holder
25	395715-65	Handle unit
26	395715-66	Handle
27	395715-67	Handle plate
28	395715-68	Flat tapping screw 3x8B
29	395713-80	Set screw 4x25
30	395716-07	Set screw 3x6
31	395727-05	Handle set plate (rear)
32	395711-47	Set screw 4x8
33	395725-47	Bed cover unit
34	395725-48	Bed cover
35	395713-43	Drop lever
36	395710-98	Snap ring CS-5
37	395711-12	Set screw 4x12
38	395727-06	Cord guide
39	395727-07	Extension table unit
40	395739-23	Face plate unit
	395739-24	Face plate unit USA
41	395739-18	Face plate
42	395727-10	Thread cutter unit
43	395710-70	Face plate sticker
44	395727-11	Set screw 4x16
45	395710-61	Cap
46	395738-13	Top cover thread guide



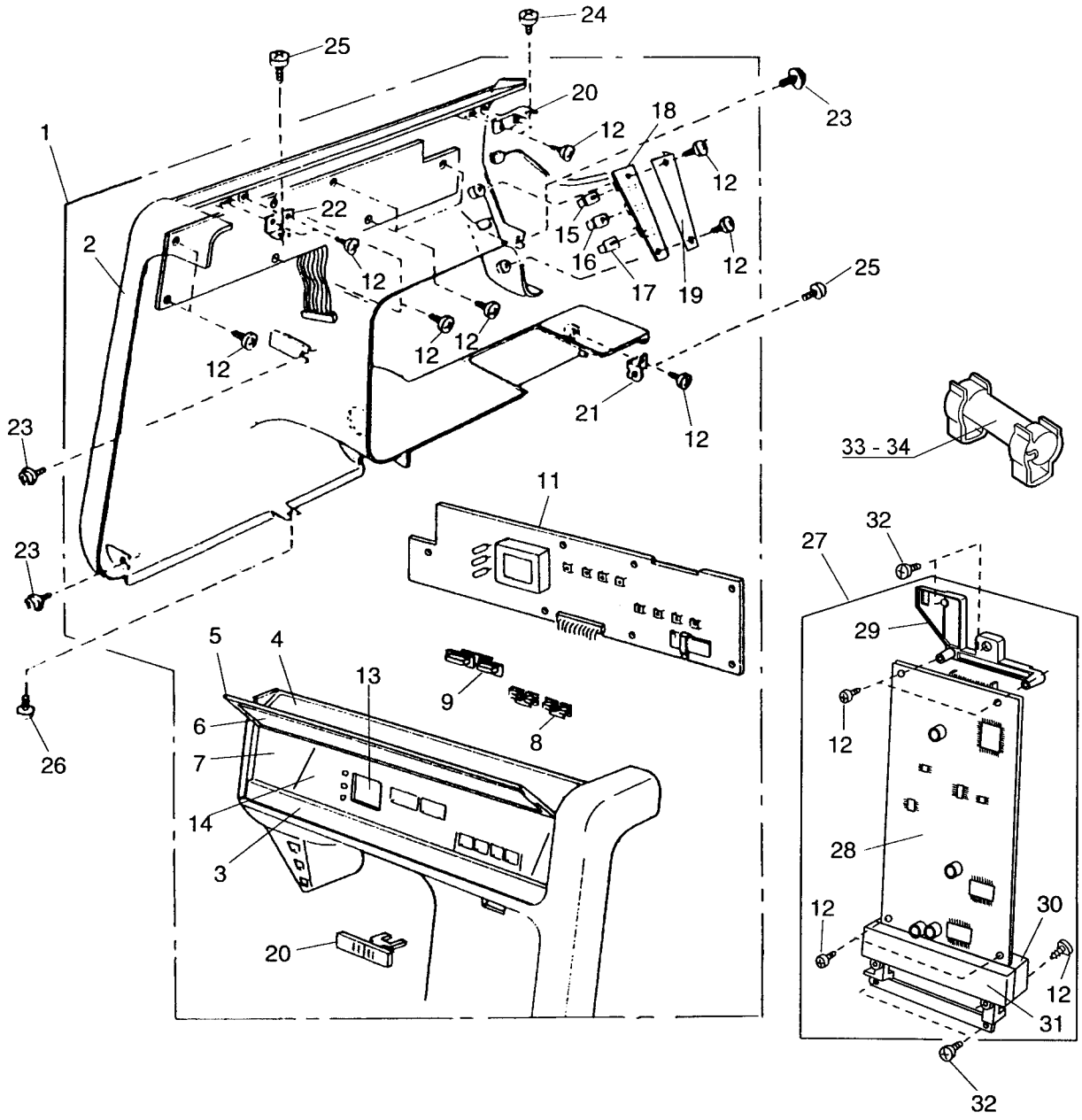
1	395739-55	Front set plate unit
2	395727-13	Front set plate
3	395739-41	Print board E I unit
4	395739-28	Sensor set plate
5	395713-96	Set screw 3x4
6	395739-57	BH lever unit
7	395711-03	Snap ring E-3
8	395727-16	BH lever guide
9	395739-51	Lamp socket unit
10	395711-47	Set screw 4x8
11	395727-17	Handle set plate (front)
12	395739-31	Lamp set plate
13	395715-73	Set screw 3.5x5
14	395739-25	Needle bar supporter unit
15	395739-09	Needle bar supporter
16	395711-21	Needle bar supporter pin
17	395711-22	Spring washer
18	395711-23	Plain washer 6
19	395711-24	Snap ring E-4
20	395718-21	Hexagonal socket screw 3x4
21	395739-16	Threader shaft spring
22	395739-04	Guide pin
23	395739-00	Spring pin
24	395739-15	Threader shaft spring
25	395739-13	Threader guide plate
26	395739-07	Threader guide plate unit
27	395739-14	Threader lever
28	395718-26	Set screw 2x4
29	395725-71	Threader set plate unit
30	395725-72	Threader base plate
31	395718-21	Hexagonal socket screw 3x4
32	395718-24	Threader set plate
33	395727-22	Needle bar unit
34	395739-17	Threader lever guide
35	395727-23	Supporter guide plate
36	395725-74	Needle bar conn. stud unit
37	395725-75	Needle bar conn. stud unit
38	395714-33	Felt
39	395714-34	Felt set spring
40	395711-06	Set screw 3x5
41	395713-96	Set screw 3x4
42	395712-14	Hexagonal socket screw 4x4
43	395725-77	Pin
44	395725-78	Supporter spring
45	395739-10	Washer
46	395714-30	Needle HA1-14
47	395739-02	Lamp 12V 5W
48	395739-32	Lamp plate
49	395739-43	Lamp socket unit
50	395739-03	Set screw 2x8



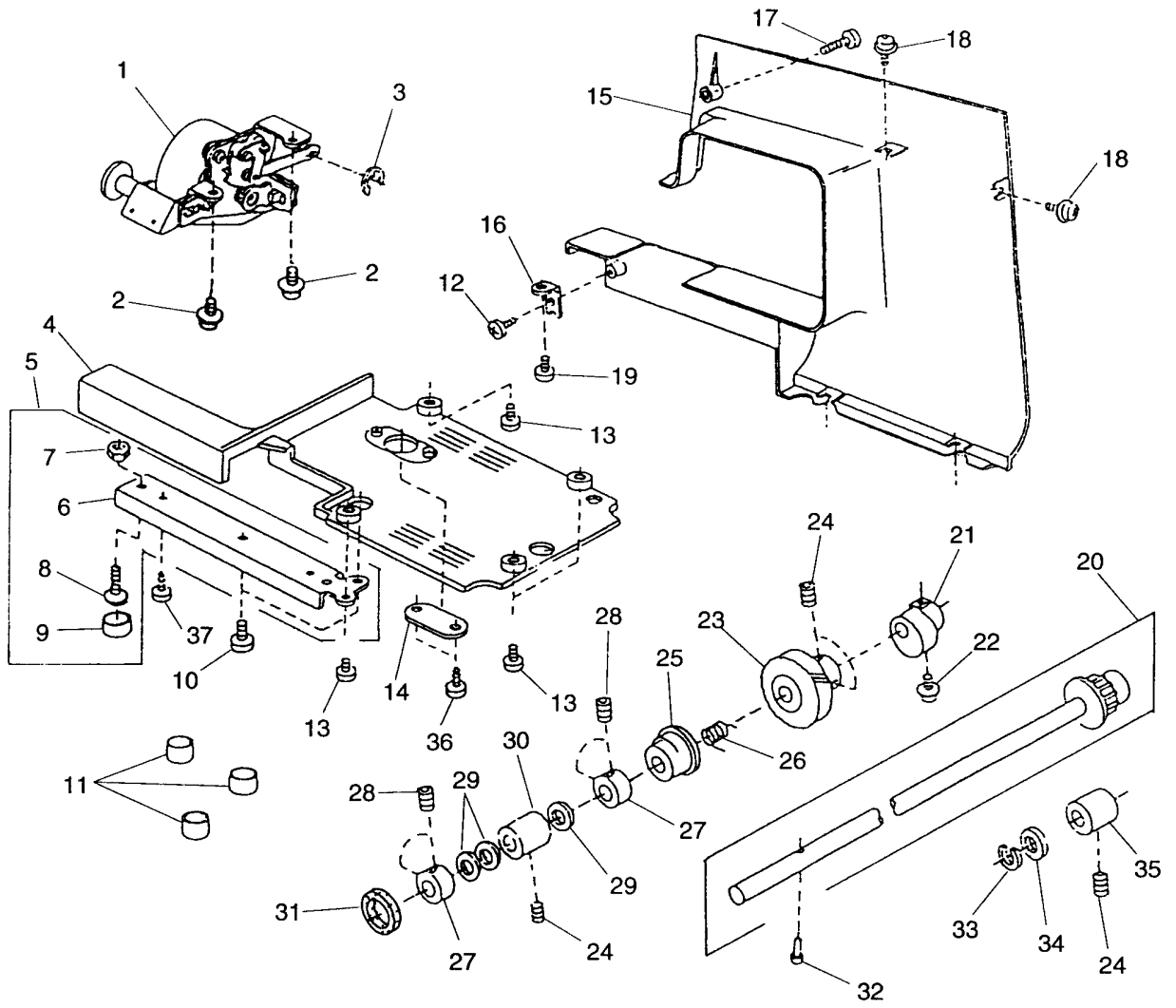
1	395723-68	Take up lever unit
2	395714-54	Take up lever pin
3	395712-14	Hexagonal socket screw 4X4
4	395711-34	Snap ring E-6
5	395723-67	Needle bar crank pin unit
6	395739-11	Upper shaft unit
7	395714-42	Set screw
8	395711-47	Set screw
9	395711-25	Hexagonal socket screw 5X5
10	395711-25	Hexagonal socket screw 5X5
11	395718-59	Upper shaft shield plate 5
12	395718-60	Plate washer
13	395711-47	Set screw 4X8
14	395714-45	Bushing
15	395739-08	Adjusting wheel
16	395714-47	Timing belt
17	395718-63	Declutch release ring
18	395718-65	Declutch ring
19	395718-64	Clutch spring
20	395718-66	Belt wheel
21	395725-52	Timing belt
22	395727-25	Washer FT100
23	395718-67	Balance wheel base plate
24	395718-68	Balance wheel
25	395727-26	Thread tension unit
26	395710-38	Set screw 4X6
27	395711-12	Set screw 4X12
28	395739-01	Spring pin
29	395738-02	Felt



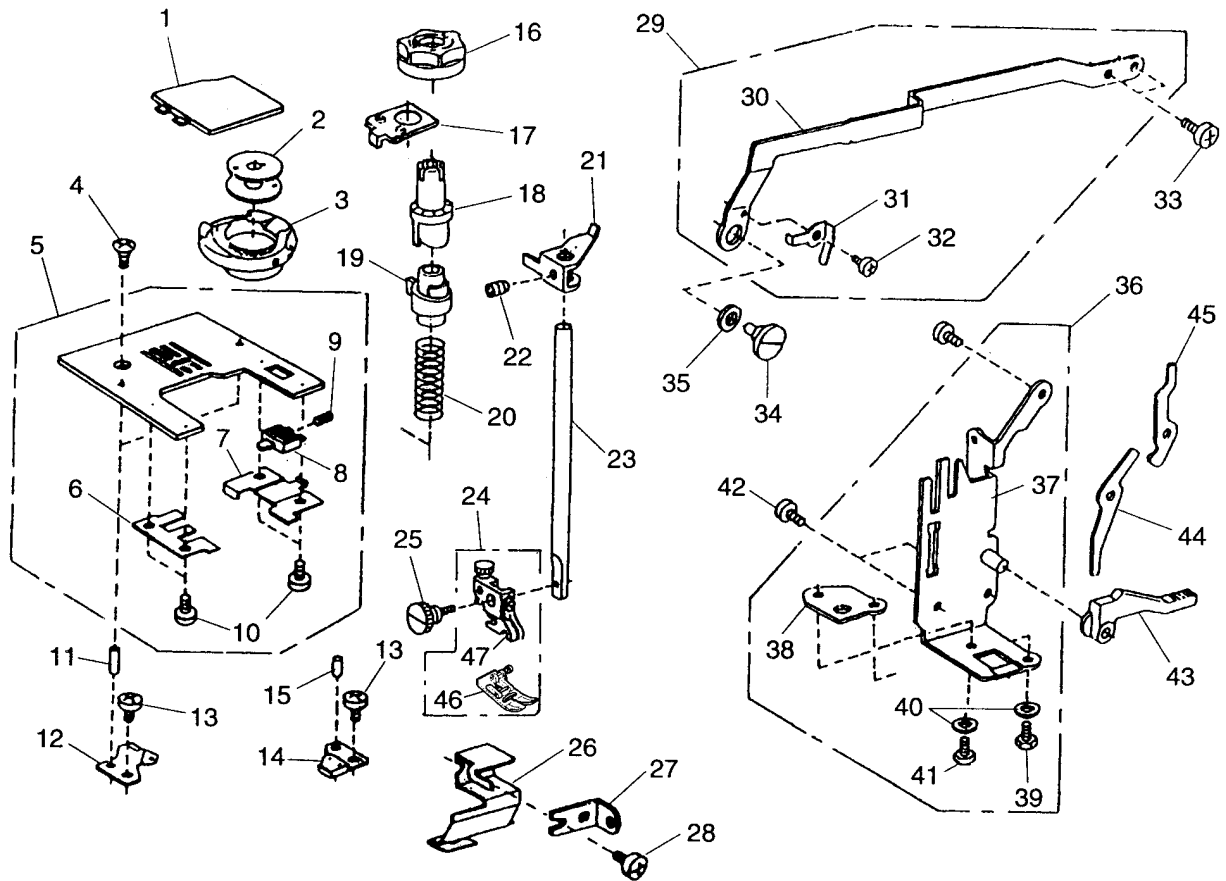
1	395739-52	Front panel unit
2	395727-28	Front panel
3	395739-36	Plate
4	395739-33	Chart board 3
5	395727-31	Keyboard cover
6	395739-34	Chart board 2
7	395739-35	Keyboard panel
8	395739-19	Button 1
9	395739-20	Button 2
10	395727-42	Speed set lever
11	395739-53	Print board K unit
12	395713-65	Set screw 3x8
13	395739-38	Lens
14	395739-37	Plate
15	395727-44	Button 3
16	395727-45	Button 3
17	395727-46	Button 3
18	395727-47	Print board F unit
19	395739-26	"F" Board isolation paper
20	395725-17	Front panel set plate
21	395725-19	Front panel set plate
22	395725-18	Front panel set plate
23	395710-41	Set screw 4x6
24	395711-06	Set screw 3x5
25	395710-38	Set screw 4x6
26	395712-61	Set screw 4x10
27	395739-54	Print board A unit
28	395739-47	Print board A unit
29	395739-39	"A" Board set plate
30	395739-40	"A" Board set plate
31	395739-29	"A" Board set plate cover
32	395710-42	Setscrew 4x8
33	395739-61	Fuse F1 and F3
34	395739-62	Fuse F2



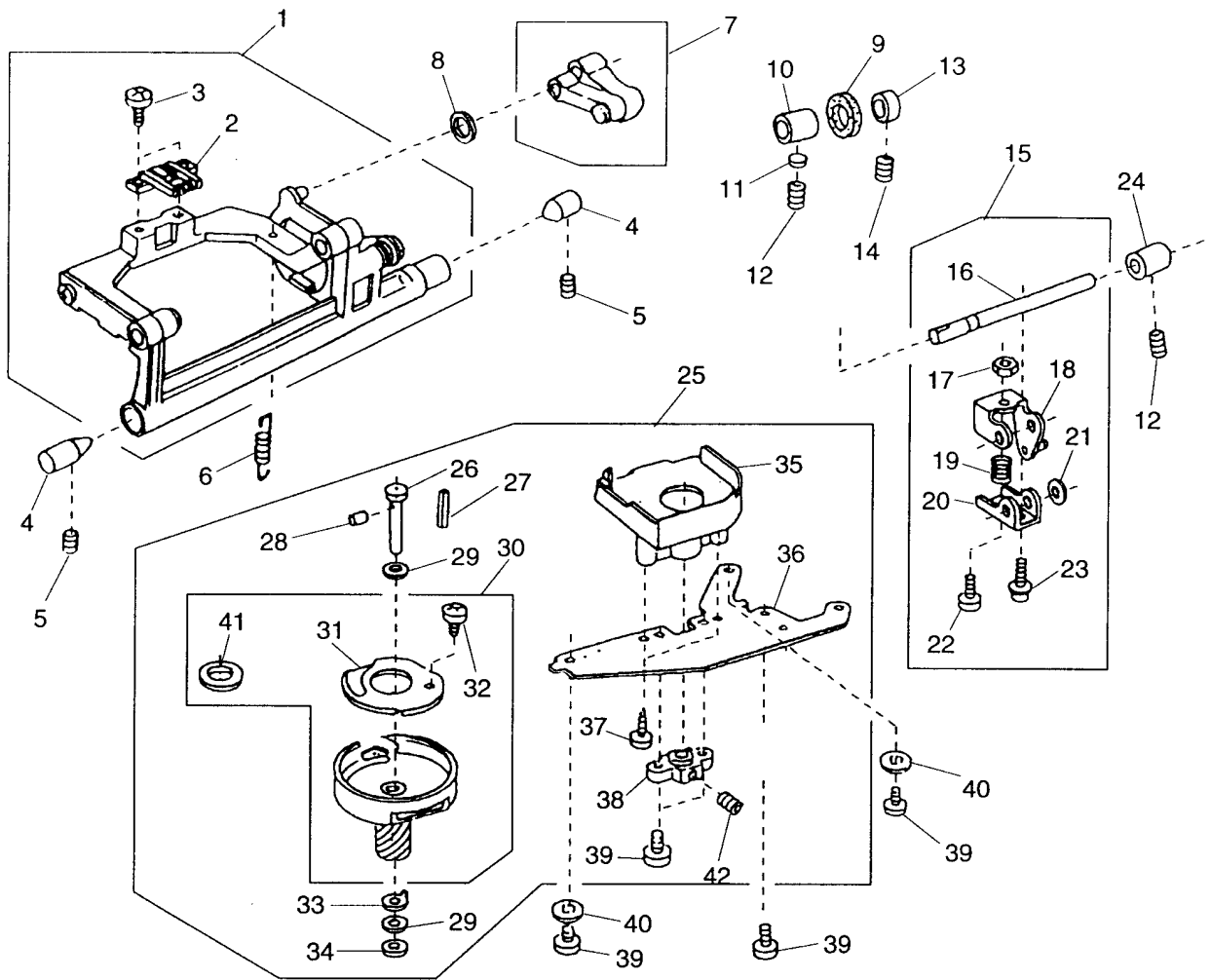
1	395739-48	Stepping motor (feed) unit
2	395710-41	Set screw TP 4X6
3	395711-03	Snap ring E-3
4	395726-28	Base
5	395725-83	Arm leg unit
6	395727-54	Arm leg
7	395726-30	Nut
8	395726-31	Plain screw 5x18
9	395710-76	Rubber base
10	395713-39	Set screw 6x14
11	395713-35	Bed rubber base
12	395713-65	Set screw 3x8B
13	395712-61	Set screw 4x10
14	395726-32	Base cap
15	395727-55	Rear cover
16	395726-34	Rear cover set plate
17	395726-35	Set screw 4x20
18	395712-63	Set screw TP 4x6
19	395713-53	Set screw 4x6
20	395727-56	Lower shaft unit
21	395727-57	Feed cam
22	395715-16	Set screw TP 3x8
23	395714-97	Lower shaft toothed wheel
24	395711-25	Hexagonal socket screw 5x5
25	395723-64	Feed lifting cam
26	395715-01	Feed lifting cam spring
27	395715-00	Ring
28	395712-14	Hexagon socket screw 4x4
29	395718-87	Washer
30	395715-02	Bushing
31	395711-61	Felt
32	395714-99	Pin
33	395718-88	Felt holder 1
34	395712-42	Felt 1
35	395715-03	Bushing
36	395713-70	Set screw 3x8B
37	395718-34	Set screw 3x10B



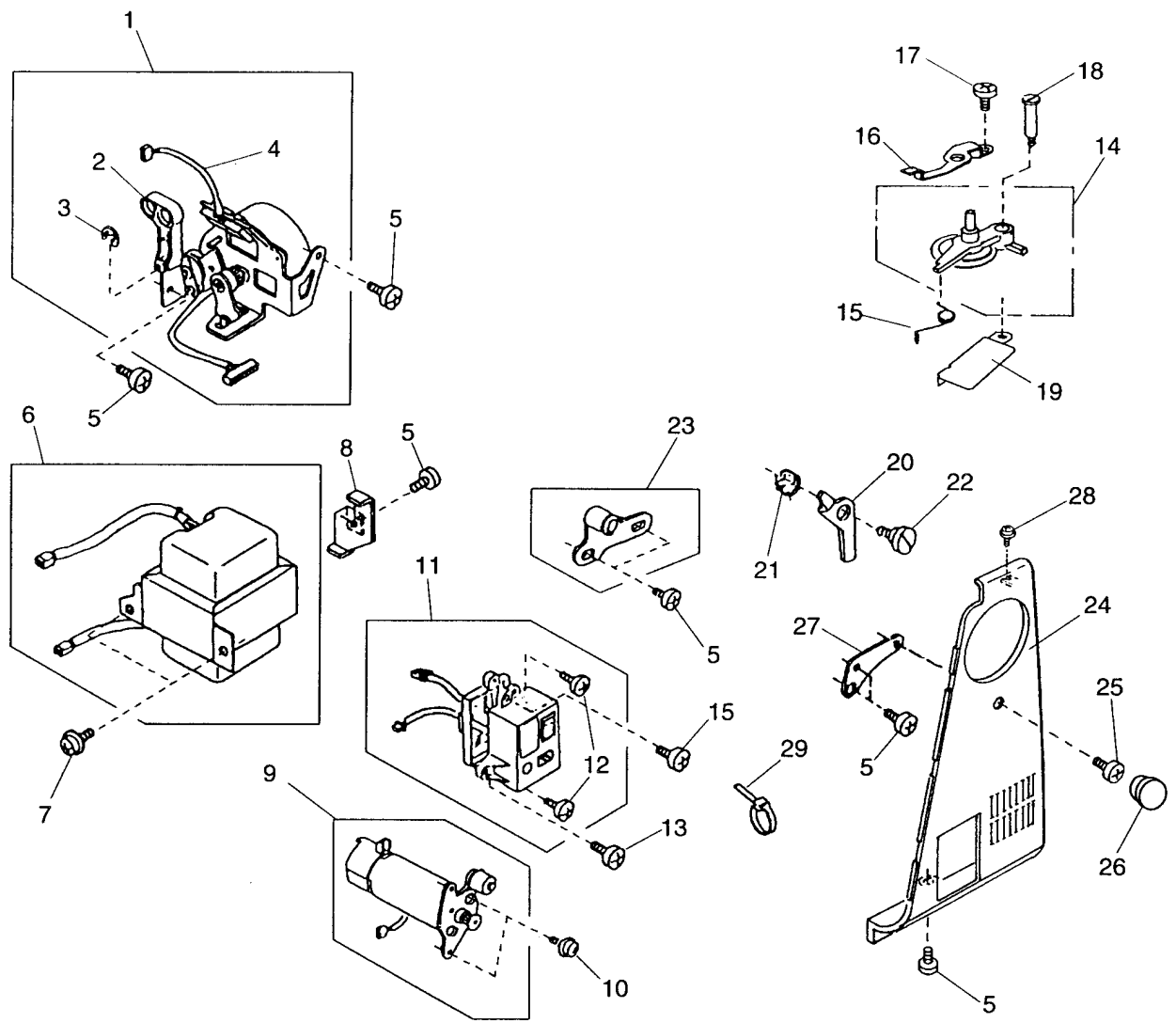
1	395719-98	Slide plate
2	395710-07	Bobbin
3	395713-33	Bobbin holder unit
4	395712-34	Plain screw
5	395738-05	Needle plate unit
6	395738-03	Slide plate set plate
7	395713-17	Slide plate set plate
8	395713-18	Slide block
9	395713-19	Slide block spring
10	395713-20	Set screw 2x2.3
11	395725-82	Guide pin
12	395725-83	Reverse rotation stopper
13	395713-27	Set screw
14	395713-26	Rotation stopper
15	395726-63	Guide pin
16	395714-10	Pressure dial
17	395727-60	Pressure adjusting cam holder
18	395714-12	Pressure adjusting cam (1)
19	395714-13	Pressure adjusting cam (2)
20	395738-12	Presser spring
21	395710-93	Presser bar bracket
22	395710-94	Hexagonal socket screw 4x8
23	395725-87	Presser bar
24	395725-88	Presser foot unit
25	395738-04	Thumb screw
26	395725-89	Arm thread guide
27	395725-90	Front panel set plate
28	395718-00	Set screw 4x8
29	395725-91	ZZ rod unit
30	395725-92	ZZ rod
31	395725-93	ZZ rod spring
32	395725-94	Set screw 2x3
33	395716-07	Set screw 3x6
34	395711-29	Eccentric pin
35	395725-95	Washer
36	395727-61	Presser bar base unit
37	395727-62	Presser bar base
38	395725-98	Presser bar set plate
39	395725-99	Hexagon bolt 4x6
40	395726-00	Washer 4
41	395713-27	Set screw
42	395711-47	Set screw 4x8
43	395710-95	Presser foot lever
44	395726-08	Tension release lever
45	395726-09	Tension release lever
46	395719-29	Zigzag foot unit
47	395714-17	Presser foot holder unit



1	395727-63	Feed rock shaft unit
2	395727-64	Feed dog
3	395727-65	Set screw
4	395723-62	Center screw
5	395711-25	Set screw
6	395714-68	Spring
7	395714-70	Feed adjuster unit
8	395718-44	Washer
9	395718-75	Felt
10	395715-30	Bushing
11	395715-32	Washer
12	395712-14	Hexagonal socket screw 4X4
13	395715-33	Ring
14	395712-14	Hexagonal socket screw 4X4
15	395727-66	Feed shaft unit
16	395727-67	Feed shaft
17	395710-51	Adjustable nut 4
18	395726-15	Feed adjustinf arm 2
19	395726-16	Spring
20	395726-17	Feed adjusting arm 1
21	395726-18	Spring washer
22	395726-19	Feed adjusting arm screw
23	395726-20	Setscrew TP
24	395715-31	Bushing
25	395739-12	Shuttle race unit
26	395714-74	Shuttle race shaft
27	395714-75	Oil string 1
28	395714-76	Oil string 2
29	395717-29	Washer
30	395727-68	Shuttle body unit
31	395714-73	Thread guard
32	395713-20	Set screw 2X2.3
33	395714-79	Washer
34	395714-78	Washer
35	395726-23	Cover
36	395726-24	Shuttle race set plate
37	395714-82	Set screw 3X12B
38	395714-80	Shuttle race shaft base
39	395711-47	Set screw 4X8
40	395714-23	Washer
41	395714-68	Magnet
42	395711-25	Hexagon socket screw 5X5



1	395739-49	Stepping motor (ZZ) unit
2	395726-43	Connecting arm
3	395711-03	Snap ring E-3
4	395739-42	Print board P unit
5	395711-47	Set screw 4X8
6	395739-44	Transformer unit (120V)
	395739-45	Transformer unit (230V)
7	395710-41	Set screw 4X6
8	395726-47	Transformer supporter (for 120V only)
9	395739-50	Motor unit
10	395722-71	Set screw TP 4x10
11	395739-27	Machine socket unit (120V)
	395739-46	Machine socket unit (230V)
12	395726-52	Set screw 4X8B
13	395712-61	Set screw 4X10
14	395715-76	Bobbin winder unit
15	395716-36	Spring
16	395727-73	Switch lever
17	395716-07	Set screw 3x6
18	395715-79	Hinge screw
19	395726-57	Bobbin winder cover
20	395727-76	Declutch arm
21	395722-82	Spring
22	395722-83	Hinge screw
23	395726-51	Idler unit
24	395727-77	Belt cover
25	395727-78	Set screw 4x20
26	395710-61	Cap
27	395727-79	Belt cover set plate
28	395716-35	Set screw TP 3x6
29	395711-18	Cord binding



1	395739-56	Accessory set
2	395719-46	Overedge foot
3	395719-64	Zipper foot
4	395719-32	Satin stitch foot
5	395719-35	Blind hem stitch foot
6	395719-30	Automatic buttonhole foot
7	395710-07	Plastic bobbin
8	395710-09	Large screw driver
9	395719-65	Needle set
10	395710-13	Buttonhole opener
11	395719-36	Lint brush
12	395719-42	Additional spool pin
13	395719-41	Spool pin felt
14	395719-40	Quilter
15	395719-38	Spool holder (small)
16	395719-63	Spool stand
17	395722-01	Power supply cord USA & Canada
	395722-00	Power supply cord Continental Europe
	395722-02	Power supply cord Australia
	395722-03	Power supply cord UK
18	395739-05	Foot control 230V
	395739-64	Foot control 120V
19	395740-02	Instruction book engl.
	395740-01	Instruction book germ.
	395740-07	Instruction book french
	395740-04	Instruction book spanish
	395740-09	Instruction book dutch
	395740-12	Instruction book norwegian
	395740-14	Instruction book swedish
	395740-15	Instruction book slovenian
20	395739-58	Hard resin cover
21	395739-59	Carton box (not illustrated)
22	395739-60	Styrofoam (not illustrated)

