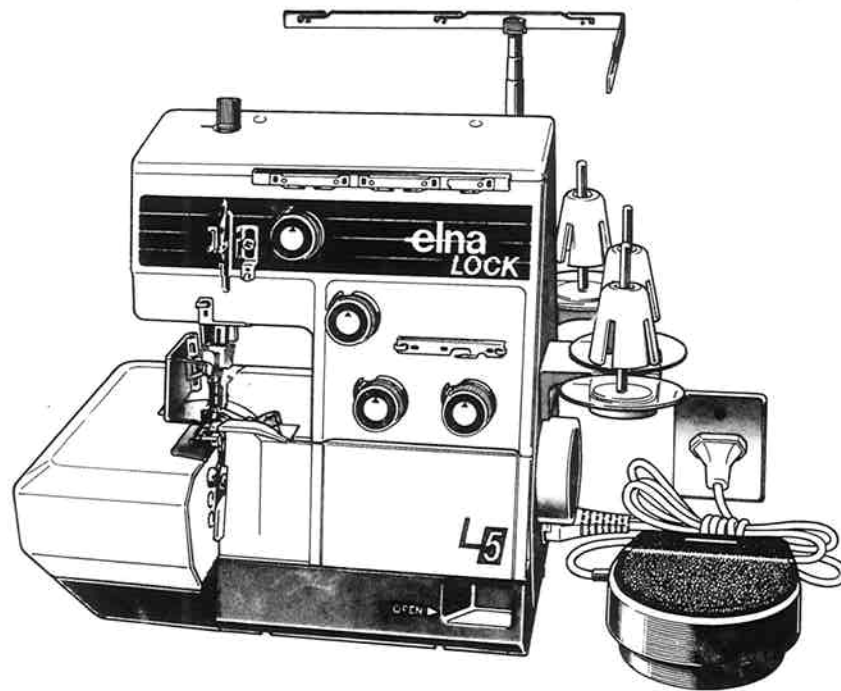


**elna**  
**LOCK**



**PIÈCES DE RECHANGE**  
**ERSATZTEILE**  
**SPARE PARTS**  
**PIEZAS DE RECAMBIO**

457 590—5

Apr. 1987 Printed in Japan

**L5**

## **SUPPLEMENTARY PARTS CATALOGUE - TYPE L-5**

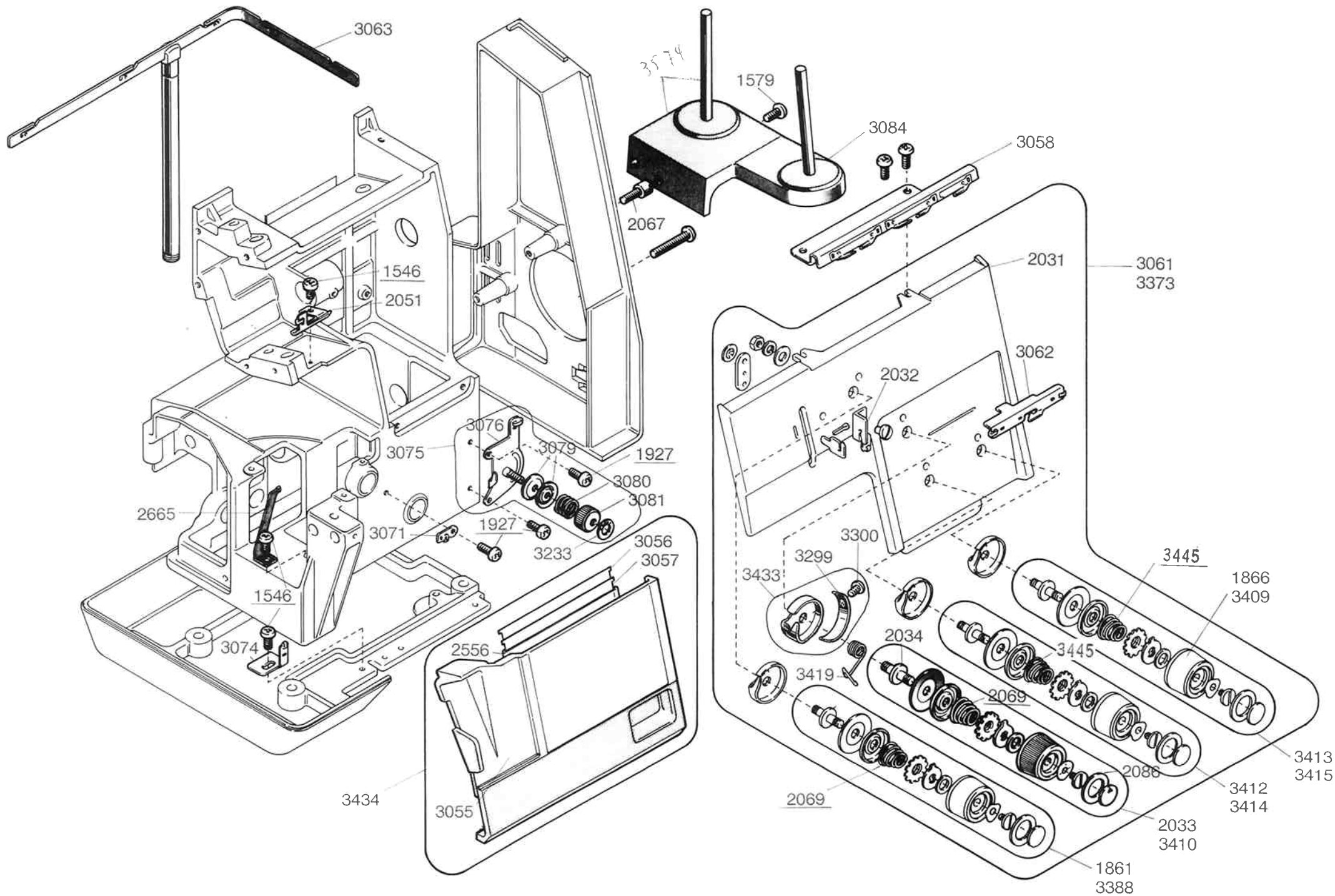
The parts not mentioned, not shown or not numbered in this catalogue are common to type L-1. Refer to the L-1 Parts Catalogue, No. 457'590-1.

### **INDEX**

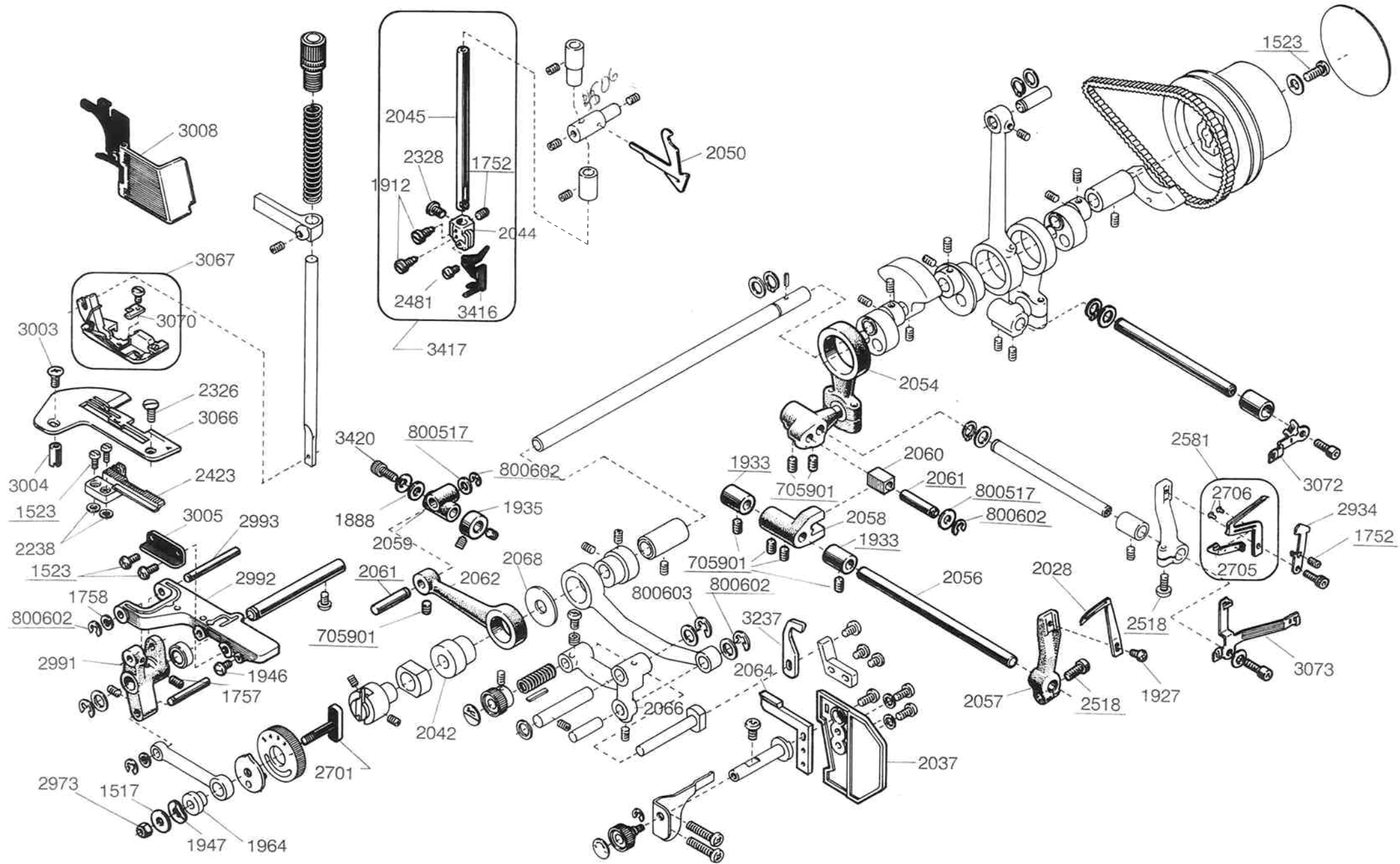
1. External parts, front panel, thread guides, tension controls, front flap, threading chart, side spool pin base, thread pole.
2. Mechanical parts, needle bar, needle clamp, foot, needle plate, feed mechanism, lower looper, upper looper, thread take-ups.
3. Accessories, instruction manuals, packings, extra accessories.
4. Part number index and weight.

N.B. All the electrical parts are identical to those for type L-1; refer to the L-1 Parts Catalogue, No. 457'590-1.

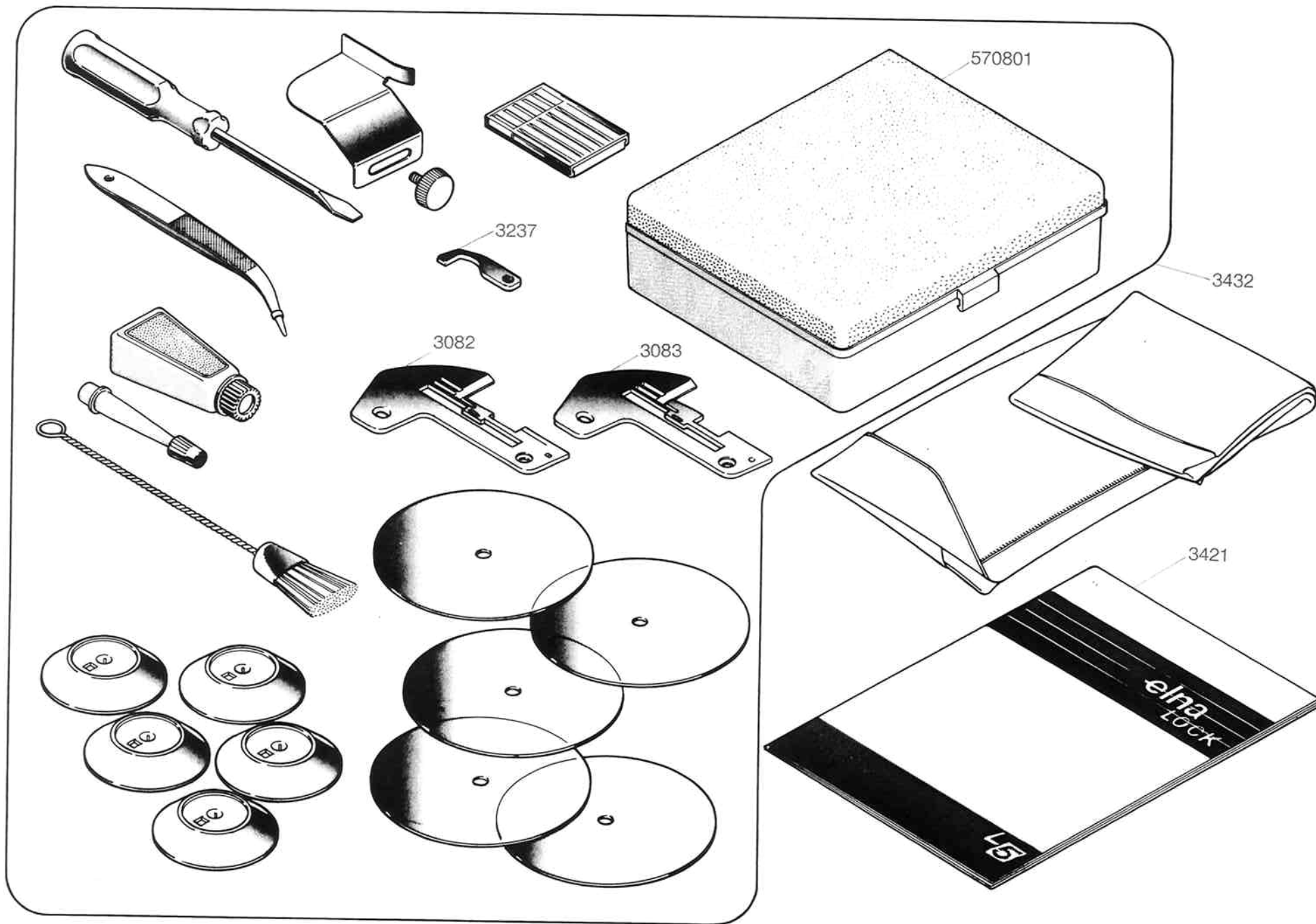
1



Hosei #	Tavaro #	Name of Parts	Hosei #	Tavaro #	Name of Parts
001546	395052-37	Screw M4x6			
001579	395052-57	Screw M4x10			
001861	396003-25	Needle thread tension -white knob	003412	396006-11	Upper looper tension -white knob
001866	396003-30	Tension knob -white	003413	396006-12	Lower looper tension -white knob
001927	396003-76	Screw M3x8 B	003414	396006-13	Upper looper tension -chrome knob
002031	396005-20	Front cover	003415	396006-14	Lower looper tension -chrome knob
002032	396005-21	Right needle thread guide	003419	396006-15	Check spring
002033	396005-22	Chain needle thread tension -white knob	003433	396006-16	Tension base assy
			003434	396006-17	Front flap assembly
002034	396005-23	Tension stud	003445	396006-25	Tension spring $\phi$ 1.0
002051	396005-33	Thread guide			
002067	396005-45	Shaft screw	3574	396006-24	Side spool pin base ass.
002069	396005-47	Tension spring $\phi$ 1.1	3601	396006-83	Threading chart II 5 threads
002086	396005-48	Tension dial plate -blue	3611	396006-24	u u II 4 threads
002556	396005-52	Chart case			
002665	396005-58	Chain needle guard			
003055	396005-88	Front flap			
003056	396005-89	Threading chart - 5 threads			
003057	396005-90	Threading chart - 4 threads			
003058	396005-91	Upper thread guide L-5			
003061	396005-92	Front cover complete -white knob			
003062	396005-93	Tension thread guide			
003063	396005-94	Thread guide pole assy L-5			
003071	396005-95	Lower looper thread guide			
003074	396005-96	Chain looper thread guide			
003075	396005-97	Chain looper thread tension assy.			
003076	396005-98	Chain looper thread tension base			
003079	396005-99	Chain looper thread tension disc			
003080	396006-00	Chain looper thread tension spring			
003081	396006-01	Chain looper thread tension knob			
003084	396006-02	Side spool pin base L-5			
003233	396006-03	Chain looper thread tension knob plate			
003299	396006-04	Check spring stroke adj. plate			
003300	396006-05	Screw M2x4 B			
003373	396006-06	Front cover complete -chrome knob			
003388	396006-07	Needle thread tension -chrome knob			
003409	396006-08	Tension knob -chrome			
003410	396006-09	Chain needle thread tension -chrome knob			



Hosei #	Tavaro #	Name of Parts	Hosei #	Tavaro #	Name of Parts
001517	395052-14	Washer 4x9x0.8	002934	396005-13	Overlock needle guard
001523	395052-18	Screw M4x8	002973	396005-87	Self-lock nut M4
001752	395053-58	Grub screw M3x3	002991	396005-74	Feed oscillating rod - type 2
001757	395054-63	Grub screw M4x4	002992	396005-75	Feed dog support - type 3
001758	395054-64	Washer STW-FT 5x0.5	002993	396005-76	Feed lever axle - type 2
001888	396003-43	Washer 4x12x2	003003	396005-78	Rear needle plate set screw
001912	396003-66	Needle clamp screw	003004	396005-79	Needle plate set nut
001927	396003-76	Screw M3x8 B	003005	396005-80	Feed dog height plate - type 3
001933	396003-78	Looper axle bearing	003008	396005-81	Finger protection
001935	396003-80	Collar $\phi$ 7	003066	396002-52	Needle plate 'A'
001946	396003-89	Converting lever hing screw	003067	396002-53	Presser foot assy
001947	396003-90	Friction washer 4x8x0.15	003070	396002-54	Stitch tongue L-5
001964	396004-04	Stitch length rod collar	003072	396006-18	Take-up right
002028	396005-18	Chain stitch looper	003073	396006-19	Take-up left
002037	396005-26	Protection cover	003237	396002-50	Moving cutter
002042	396005-28	Chain stitch eccentric	003416	396006-20	Needle-clamp thread guide L-5
002044	396005-29	Needle clamp	003417	396006-21	Needle bar assy L-5
002045	396005-30	Needle bar	003420	396006-22	Allen screw M4x8 P
002050	396005-32	Take-up lever	705901	395421-00	Grub screw M4x5
002054	396005-34	Lower looper ball-rod assy	800517	395048-46	Washer STW-FT 6x1
002056	396005-35	Chain looper axle	800602	395465-00	Snap ring - #4
002057	396005-36	Chain looper lever	800603	395466-00	Snap ring - #5
002058	396005-37	Chain looper rocker	3107	396008-38	Screws
002059	396005-38	Chain looper slider	4506	396009-16	Needle bar stud
002060	396005-39	Chain looper rocker cube	705909	395047-98	Screw
002061	396005-40	Slider pin			
002062	396005-41	Chain looper rod			
002064	396005-42	Fixed cutter			
002066	396005-44	Cutter lever support			
002068	396005-46	Washer STW-FT 8x1			
002238	395054-23	Washer 4x8x0.3			
002326	396004-68	Needle plate screw M4x5			
002328	396005-50	Needle clamp set screw			
002423	396004-82	Feed dog - type 2			
002481	396002-15	Stitch tongue set screw			
002518	396004-91	Allen screw M4x12			
002581	396005-03	Lower looper assembly			
002701	396005-5960	Feed key - type 2			
002705	396005-01	Lower looper slide guide			
002706	396005-11	Screw M1x3			



Hosei #	Tavaro #	Name of Parts
003082	396002-46	Needle plate 'B'
003083	396002-47	Needle plate 'C'
003237	396002-50	Moving cutter
		<u>Instruction manual</u>
003421	396040-42	English/Afrikaans
003422	396041-47	German/French
003423	396042-47	English/French
003424	396043-52	Danish/Norwegian
003425	396045-54	Finnish/Swedish
3742	042-43	Aug / Dem
003432	396002-55	Accessory set
570801	396002-51	Accessory case
003408	396005-86	Carton 'elna Lock' (not shown)
		<u>Extra Accessories (not shown)</u>
003273	396002-49	Material waste tray
003369	396002-44	Gatherer support
003379	396002-48	Blind-hem foot L-2/L-5
003391	396002-43	Threader set
003392	396002-31	Spool net, 60 cm long