

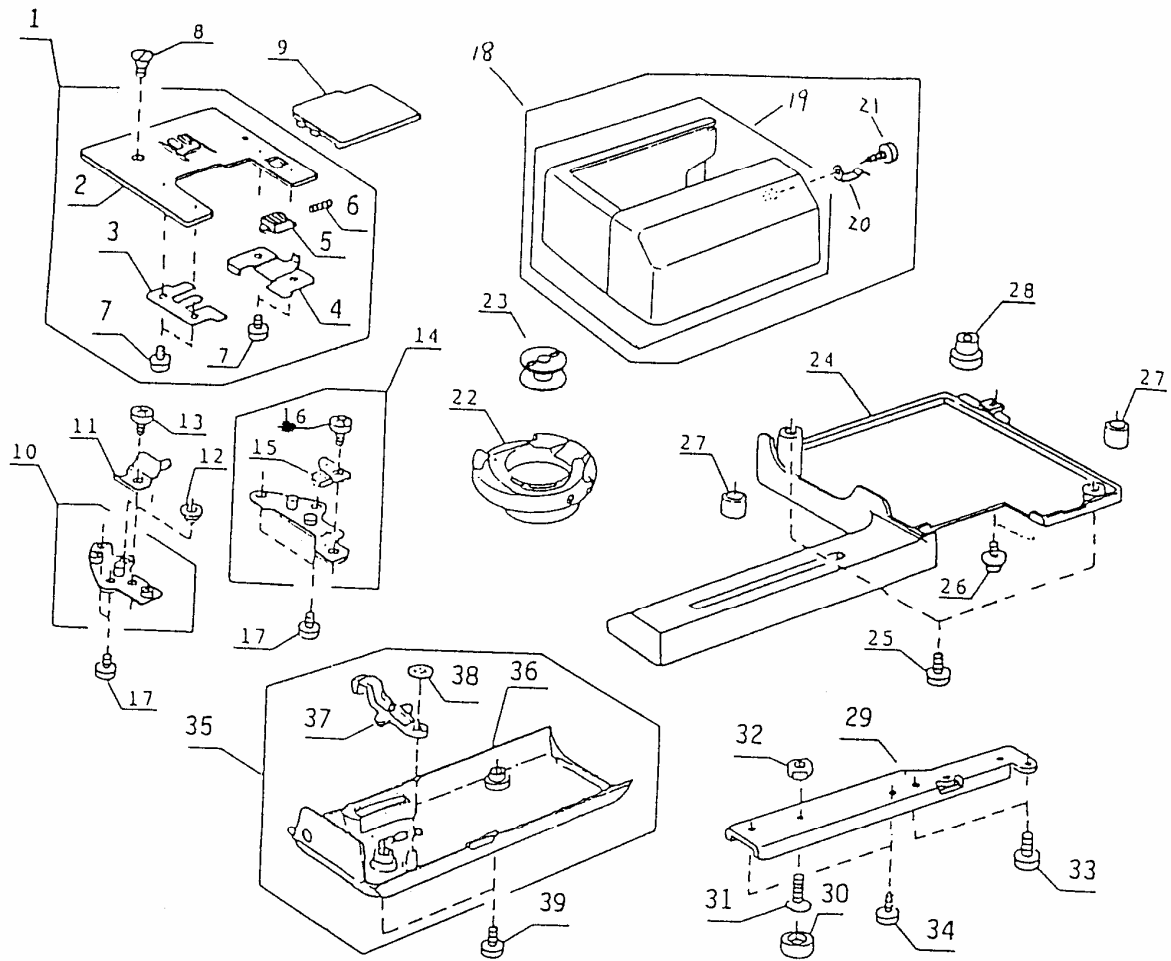
3003 3005 3007

**PIECES DE RECHANGES
ERSATZTEILE
SPARE PARTS
PIEZAS DE RECAMBIO**

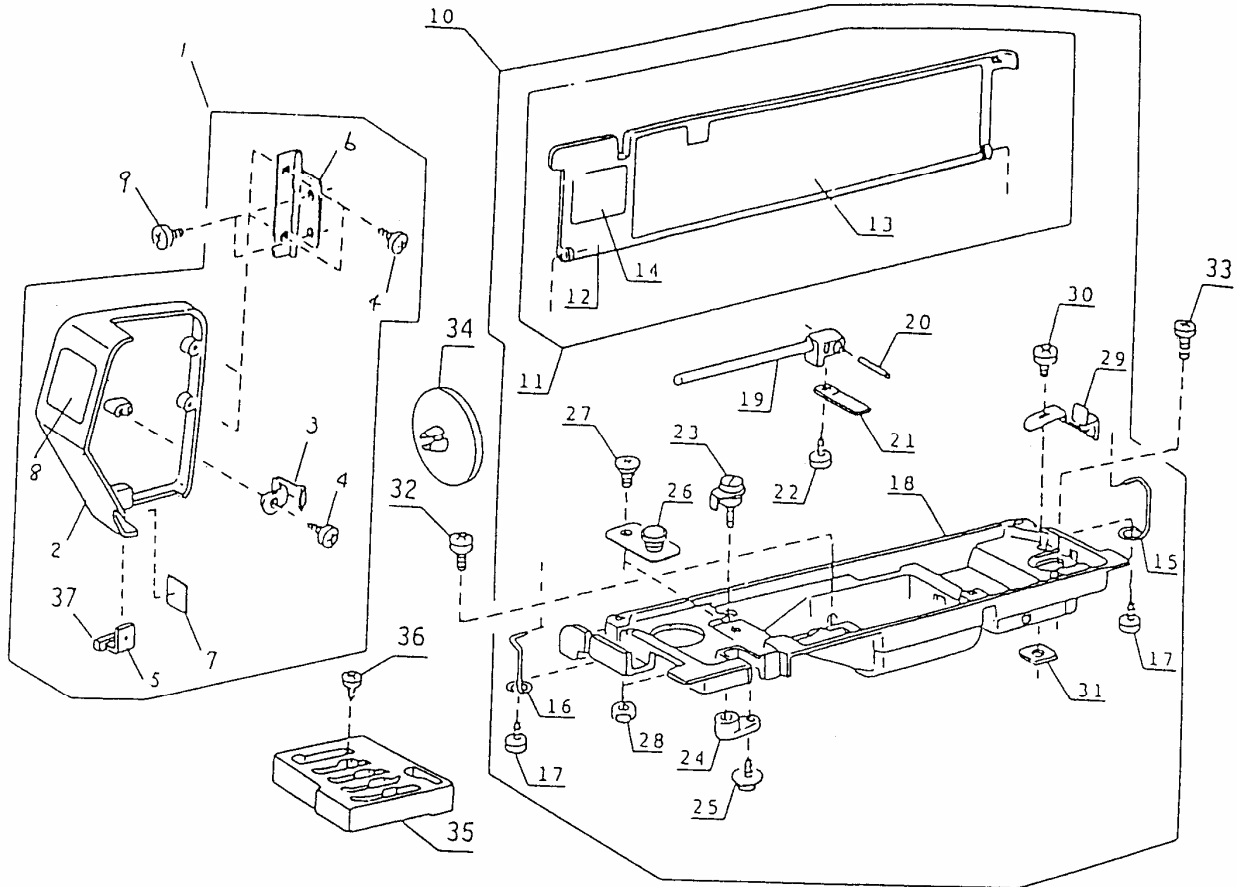
INDEX

Accessory box, extension table, Needle plate, bottom cover	1
Upper cover, face plate	2
Front base plate, lamp socket, lamps	3
Presser bar, cloth presser lever, thread tension	4
Needle bar unit, threader	5
Shuttle, feed rock shaft, lower shaft	6
Upper shaft, timing belt, balance wheel	7
Front panel, pattern indication plate	8
Motor, belt cover, handle, transformer, motor belt,	9-10
Machine socket, printed board, bobine winder	9-10
Cam block units	11
Accessories, foot controls, instruction manuals	12

1	395713-14	Needle plate complete unit
2	395713-15	Needle plate unit
3	395713-16	Slide plate holder (left)
4	395713-17	Slide plate holder (right)
5	395713-18	Slide plate release button
6	395713-19	Slide plate release spring
7	395713-20	Set screw
8	395713-21	Set screw
9	395716-74	Slide plate
10	395713-22	Needle plate supporter (left)
11	395713-23	Pawl plate
12	395713-24	Nut
13	395711-06	Set screw
14	395713-25	Needle plate supporter (right)
15	395713-26	Bobbin holder stopper
16	395713-27	Set screw
17	395713-28	Tapping screw
18	395723-00	Extension table unit
19	395723-01	Extension table
20	395723-02	Extension table spring
21	395716-94	Set screw
22	395723-03	Bobbin holder unit
23	494430-20	Bobbin
24	395723-04	Base
25	395710-42	Set screw
26	395710-41	TP screw
27	395713-35	Bed rubber seat
28	395713-36	Rubber foot
29	395723-05	Arm sole 3007
	395713-37	Arm sole 3005 3003
30	395710-76	Rubber seat
31	395723-06	Set screw
32	395710-78	Hexagon nut
33	395713-39	Set screw
34	395713-40	Set screw
35	395723-07	Bed cover unit
36	395723-08	Bed cover
37	395713-43	Drop lever
38	395710-98	Snap ring
39	395711-12	Set screw

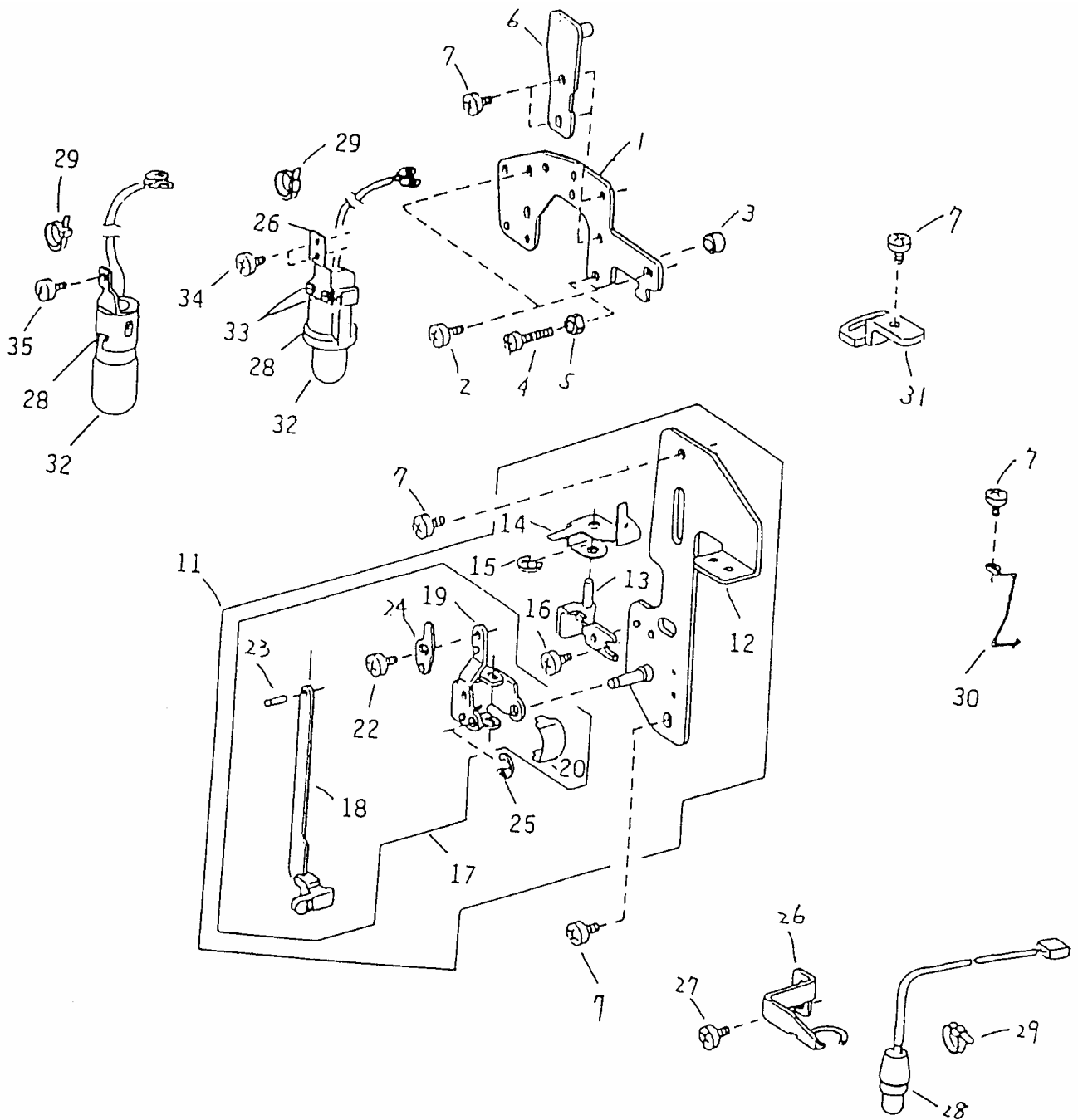


	395723-10	Face plate unit 3005
	395723-11	Face plate unit 3003
2	395723-12	Face plate
3	395713-48	Face plate spring
4	395713-49	Set screw
5	395710-69	Thread cutter unit
6	395713-50	Face plate hinge unit
7	395710-70	Reflecting plate 3007 3005
	395713-52	Reflecting plate 3003
8	395723-13	Ornamental plate 3007
	395723-14	Ornamental plate 3005
	395723-15	Ornamental plate 3003
9	395713-53	Set screw
10	395723-16	Top cover unit 3007
	395723-17	Top cover unit 3005
	395723-18	Top cover unit 3003
11	395723-19	Top cover unit 3007
	395723-20	Top cover unit 3005
	395723-21	Top cover unit 3003
12	395713-58	Top cover
13	395723-22	Instruction panel 3007
	395723-23	Instruction panel 3005
	395723-24	Instruction panel 3003
14	395723-25	BH sticker 3007
	395723-26	BH sticker 3005
	395723-27	BH sticker 3003
25	395713-63	Hinge rod right
16	395713-64	Hinge rod left
17	395713-65	Tapping screw
18	395713-66	Top cover body
19	395717-10	Spool pin
20	395713-68	Pin
21	395713-69	Spring
22	395713-70	Tapping screw
23	395710-50	Thread guide unit
24	395713-71	Thread guide holder
25	395713-72	Set screw
26	395713-73	Top cover thread guide holder
27	395713-74	Set screw
28	395713-75	Hexagon nut
29	395713-76	Bobbin winder stopper
30	395713-77	Set screw
31	395713-78	Nut
32	395713-79	Set screw
33	395713-80	Set screw
34	395713-81	Spool holder (large)
35	395723-28	Foot container
36	395713-83	Tapping screw
37	395723-29	Thread cutter guard
38	395710-84	Caution sticker USA
	395723-30	Caution sticker Canada



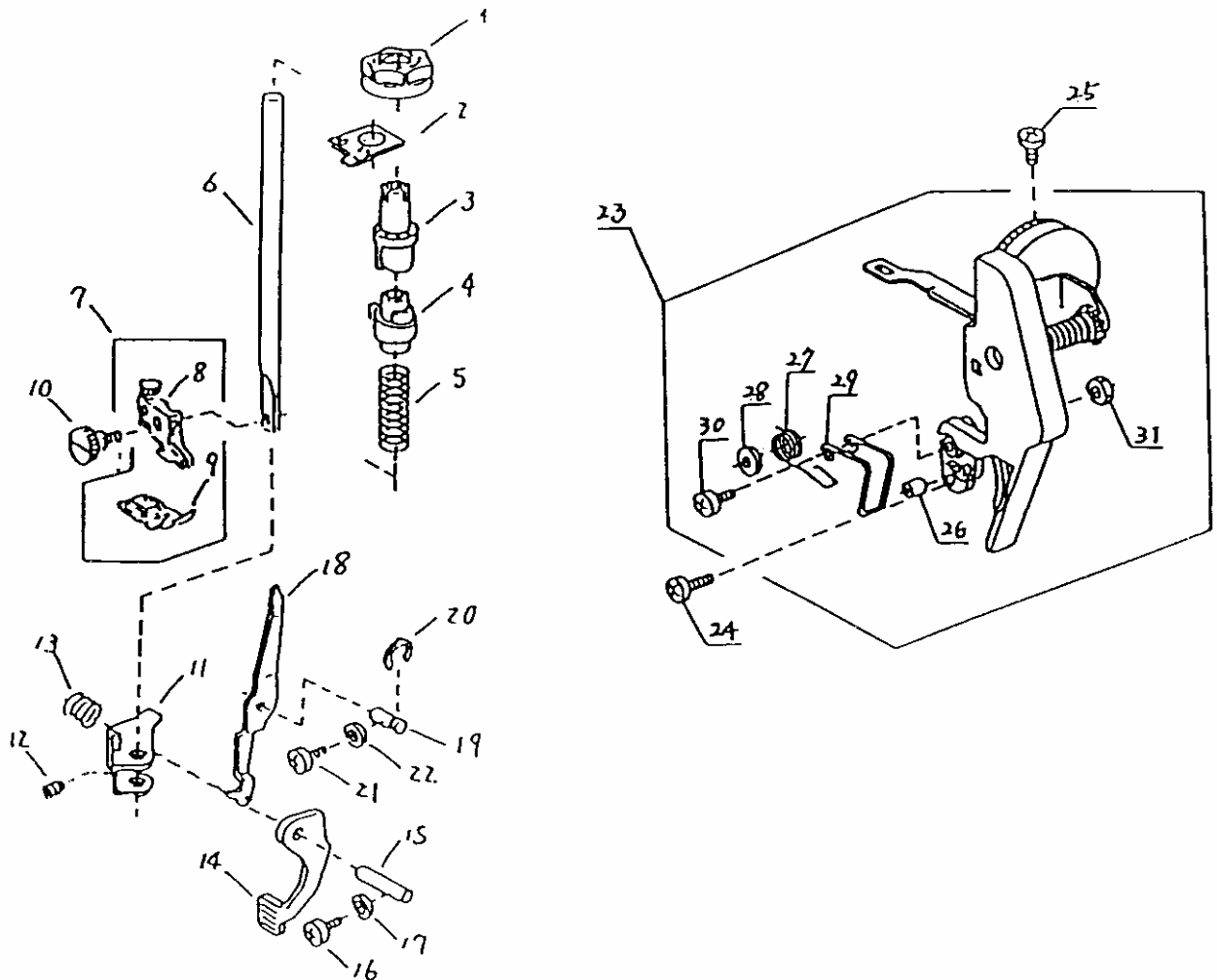
- 1 395723-31 Lamp socket holder 3007 3005;
- 395713-84 Lamp socket holder 3003

2	395710-42	Set screw
3	395713-85	Supporter stopper
4	395723-32	Set screw
5	395710-51	Nut
6	395713-87	Handle supporter plate
7	395710-38	Set screw
8	395716-05	BH limit switch 3007
9	395716-06	Switch holder 3007
10	395716-07	Set screw 3007
11	395723-33	Front base plate 3007
	395723-34	Front base plate 3005 3003
12	395723-35	Front base plate
13	395723-36	Drag rod link (front) holder
14	395723-37	Drag rod link (front)
15	395711-03	Snap ring
16	395713-53	Set screw
17	395713-92	BH lever unit
18	395723-38	BH lever unit
19	395713-94	BH lever supporter
20	395713-95	Friction spring
21	395716-09	Switch adjusting plate 3007
22	395723-39	Set screw
23	395713-97	Spring pin
24	395713-98	BH lever adjusting plate
25	395713-99	Snap ring
26	395723-40	Lamp setting plate 3007 3005)
	395723-41	Lamp setting plate 3003 230V
	395723-42	Lamp setting plate 3003 120V
27	395713-96	Set screw 3007 3005
28	395723-43	Lamp socket unit 3007 3005
	395723-44	Lamp socket unit 3003 230V
	395723-45	Lamp socket unit 3003 USA
	395723-46	Lamp socket unit 3003 Canada
29	395711-18	Cord binder 3007 3005
30	395723-47	Arm thread guide
31	395718-18	Threader guide 3007/3005
32	395710-04	Lamp 3003 230V
	395710-05	Lamp 3003 120V
	395722-99	Lamp 3005 3007
33	395723-48	Screw 3003 230V
34	395711-06	Screw 3003 230V
35	395723-49	Screw 3003 120V



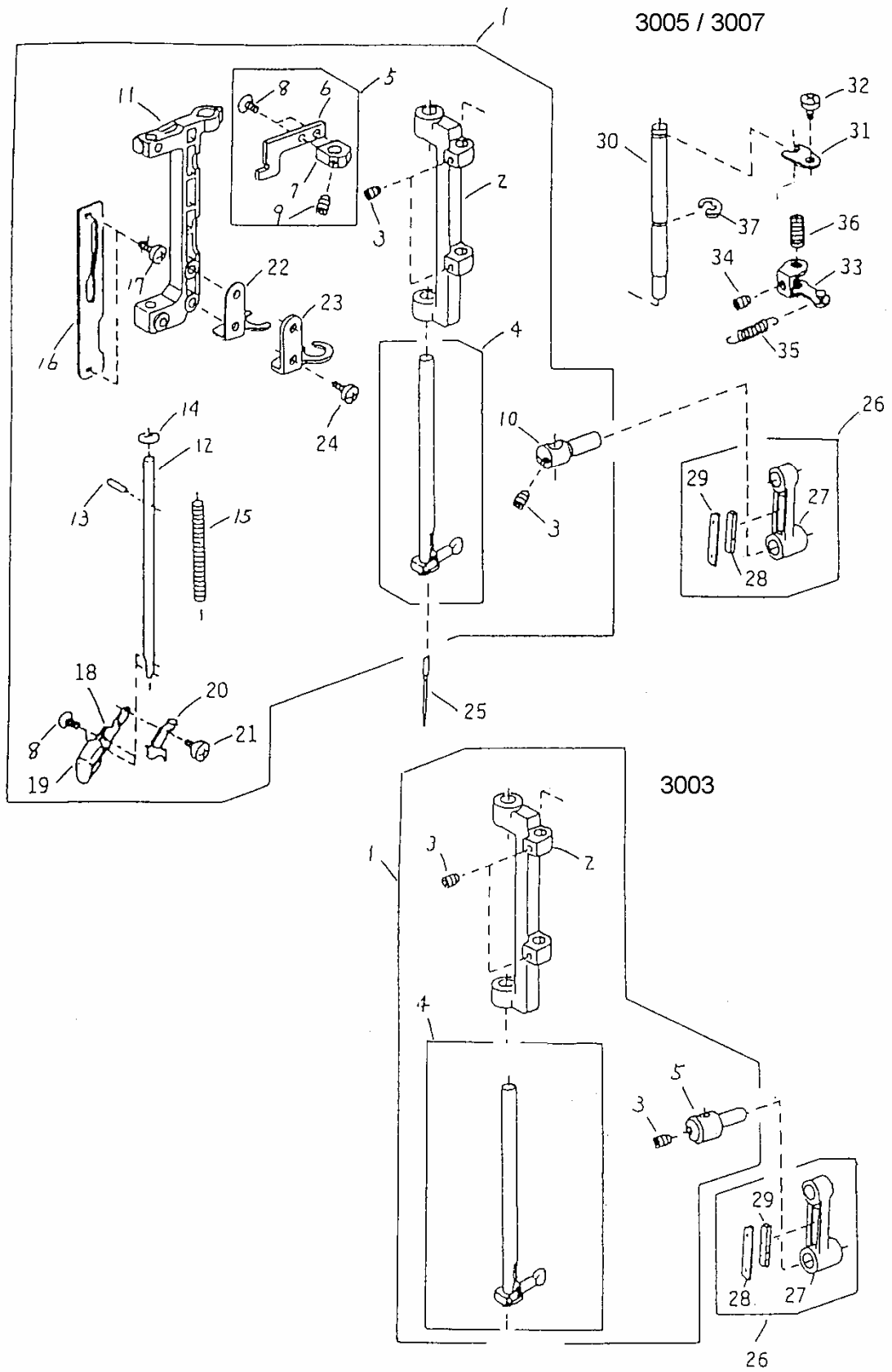
- | | | |
|---|-----------|-------------------------------|
| 1 | 395714-10 | Pressure dial |
| 2 | 395714-11 | Pressure adjusting cam holder |
| 3 | 395714-12 | Pressure adjusting cam (1) |

4	395714-13	Pressure adjusting cam (2)
5	395714-14	Presser bar spring
6	395714-15	Presser bar
7	395714-16	Presser foot unit
8	395714-17	Foot holder unit
9	395719-29	Zigzag foot unit
10	395710-02	Thumb screw
11	395714-19	Presser bar bracket
12	395714-39	Hexagon screw
13	395714-20	Darner spring
14	395723-50	Presser foot lifter
15	395714-22	Presser foot lifter pin
16	395712-61	Set screw
17	395723-51	Washer
18	395714-24	Tension release lever
19	395714-25	Tension release lever pin
20	395710-96	Snap ring
21	395710-42	Set screw
22	395723-52	Washer
23	395723-53	Thread tension
24	395711-12	Set screw
25	395710-38	Set screw
26	395714-03	Check spring cushion
27	395714-04	Check spring
28	395711-11	Washer
29	395714-05	Thread guide
30	395714-06	Set screw
31	395714-07	Hexagon nut

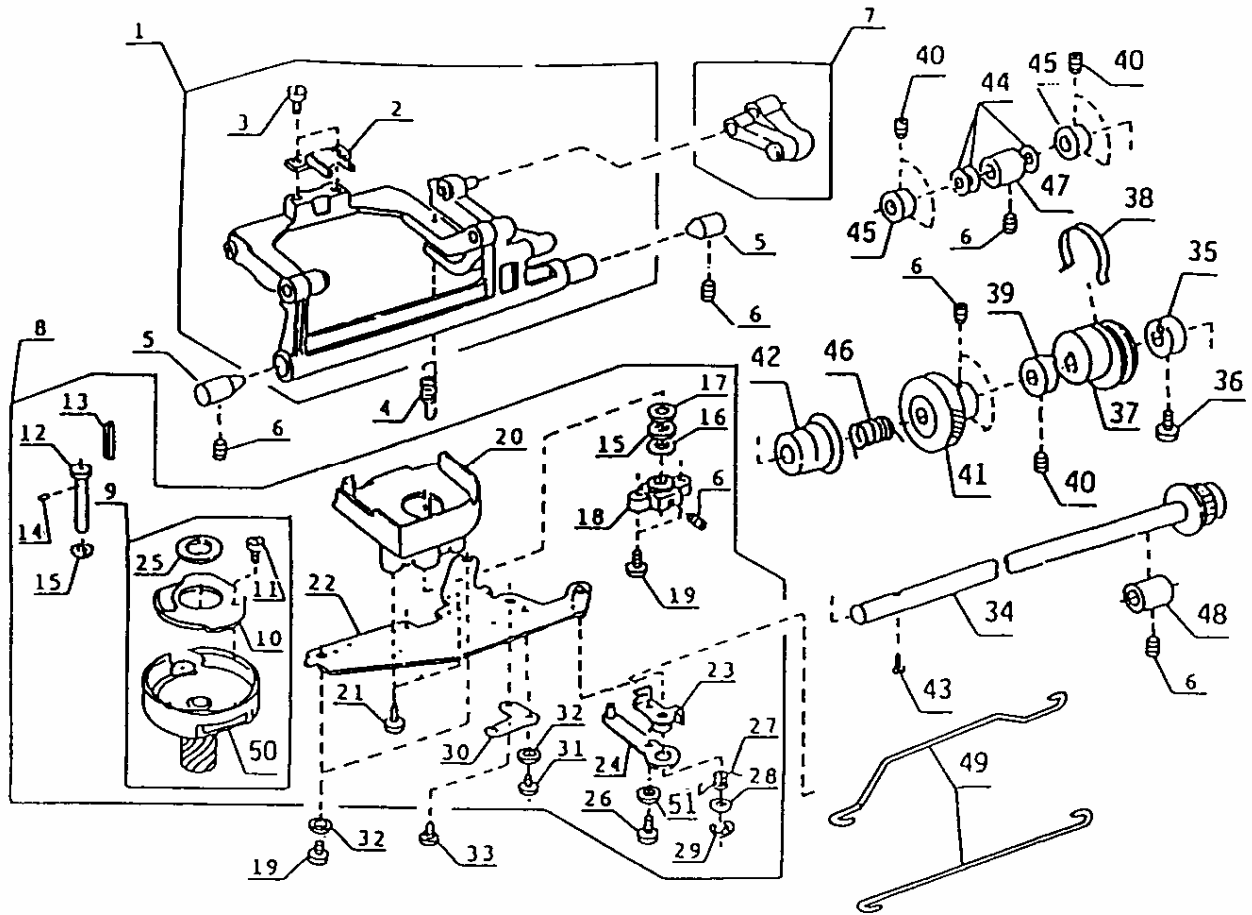


- | | | |
|---|-----------|----------------------------|
| 1 | 397723-54 | Needle supporter 3007 3005 |
| | 397723-55 | Needle supporter 3003 |
| 2 | 397723-56 | Needle supporter 3007 3005 |
| | 395714-27 | Needle supporter 3003 |

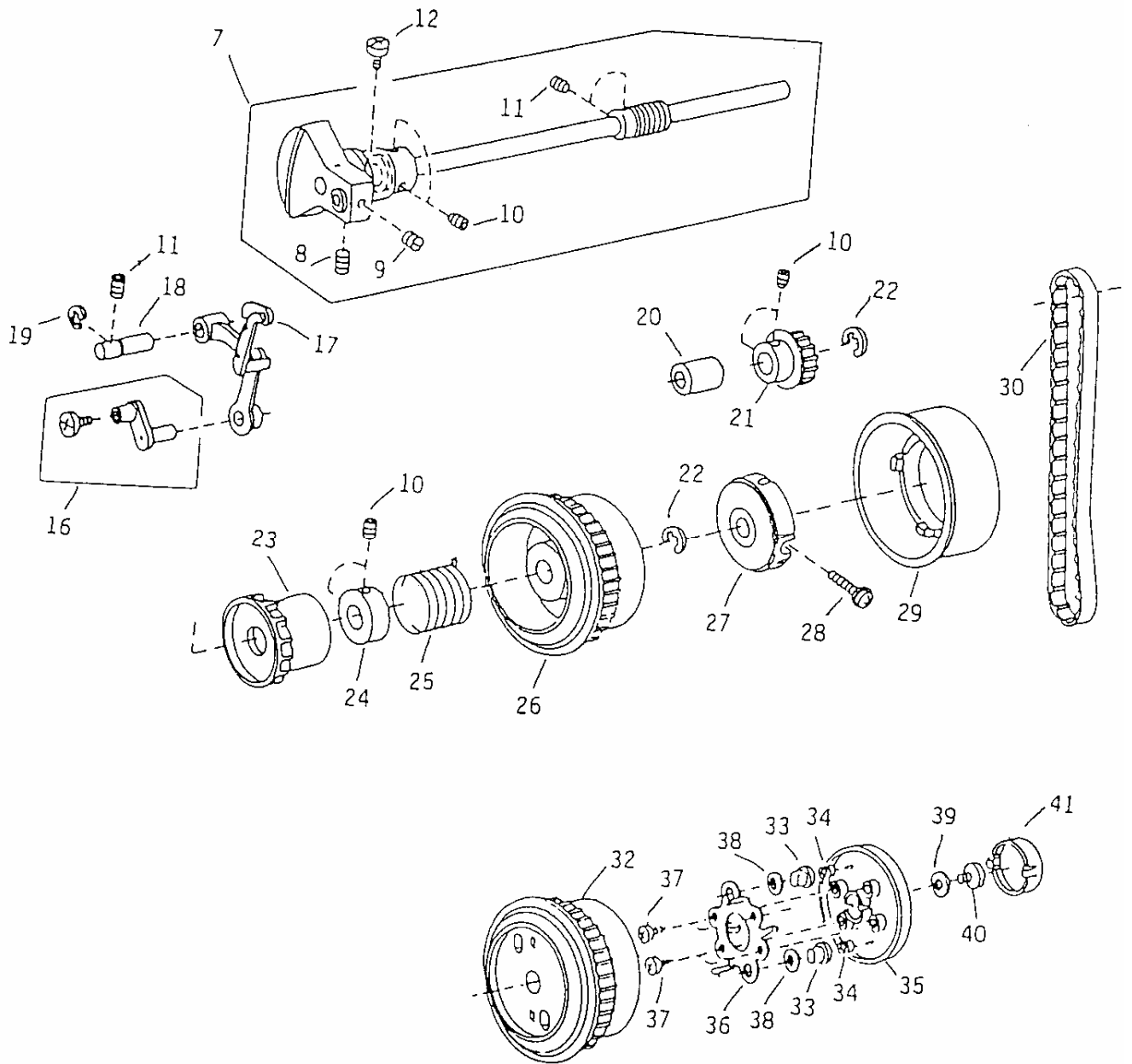
3	395712-14	Hexagon screw
4	395723-57	Needle bar unit
5	395723-58	Threader plate unit 3007 3005
6	395718-24	Threader plate 3007 3005
7	395718-25	Threader base 3007 3005
8	395718-26	Set screw 3007 3005
9	395718-21	Hexagon screw 3007 3005
10	395718-27	Needle bar connecting stud 3007
	395714-29	Needle bar connecting stud 3003
11	395718-28	Threader frame
12	395718-29	Threader shaft
13	395718-30	Pin
14	395718-31	Washer
15	395718-32	Threader shaft spring
16	395723-59	Threader guide plate
17	395718-34	Tapping screw
18	395723-60	Threader lever
19	395718-36	Threader knob
20	395718-37	Threader plate
21	395718-38	Set screw
22	395718-39	Threader frame spring
23	395718-40	Threader frame (lower)
24	395718-34	Topping screw
25	395714-30	Needle HA1 #14
26	395718-51	Needle bar crank rod unit 3007 30
	395714-31	Needle bar crank rod unit 3003
27	395718-52	Needle bar crank rod 3007 3005
	395714-32	Needle bar crank rod 3003
28	395714-33	Felt
29	395714-34	Felt holder spring
30	395714-35	Supporter shaft
31	395714-36	Stopper plate
32	395710-38	Set screw
33	395714-38	Zigzag width crank
34	395714-39	Hexagon screw
35	395714-40	Supporter spring
36	395714-37	Supporter shaft spring
37	395710-96	Washer



1	395723-61	Feed rock shaft unit
2	395714-66	Feed dog
3	395714-67	Set screw
4	395714-68	Feed regular unit
5	395723-62	Screw center
6	395711-25	Hexagon screw
7	395714-70	Feed regular unit
8	395723-63	Hook complete unit
9	395714-72	Hook unit
10	395714-73	Hook bottom plate
11	395713-20	Set screw
12	395714-74	Hook shaft
13	395714-75	Hook shaft oil felt (1)
14	395714-76	Hook shaft oil felt (2)
15	395717-29	Washer
16	395714-76	Washer
17	395714-79	Hook shaft washer
18	395714-80	Hook shaft base
19	395710-42	Set screw
20	395714-81	Hook race cover
21	395714-82	Tapping screw
22	395714-83	Hook holder plate
23	395714-84	Feed shift arm
24	395714-85	Feed shift plate
25	395714-86	Hook magnet
26	395714-06	Set screw
27	395714-87	Feed shift spring
28	395714-88	Hasher
29	395711-03	Snap ring
30	395714-89	Positioning plate
31	395710-38	Set screw
32	395714-23	Masher
33	395714-90	Hinge screw
34	395714-91	Lower shaft unit
35	395714-92	Forward feed cam ring
36	395714-93	Tapping screw
37	395714-94	Feed cam
38	395714-95	Feed cam spring
39	395714-96	Feed cam ring
40	395712-14	Hexagon screw
41	395714-97	Lower shaft gear
42	395723-64	Feed lifting cam
43	395714-99	Feed lifting pin
44	395718-87	Washer
45	395715-00	Ring
46	395715-01	Feed lifting cam spring
47	395715-02	Lower shaft bushing (front)
48	395715-03	Lower shaft bushing (rear)
49	395723-65	Feed shift rod 3007
	395715-04	Feed shift rod 3003 3005
50	395715-05	Hook body unit
51	395715-06	Washer

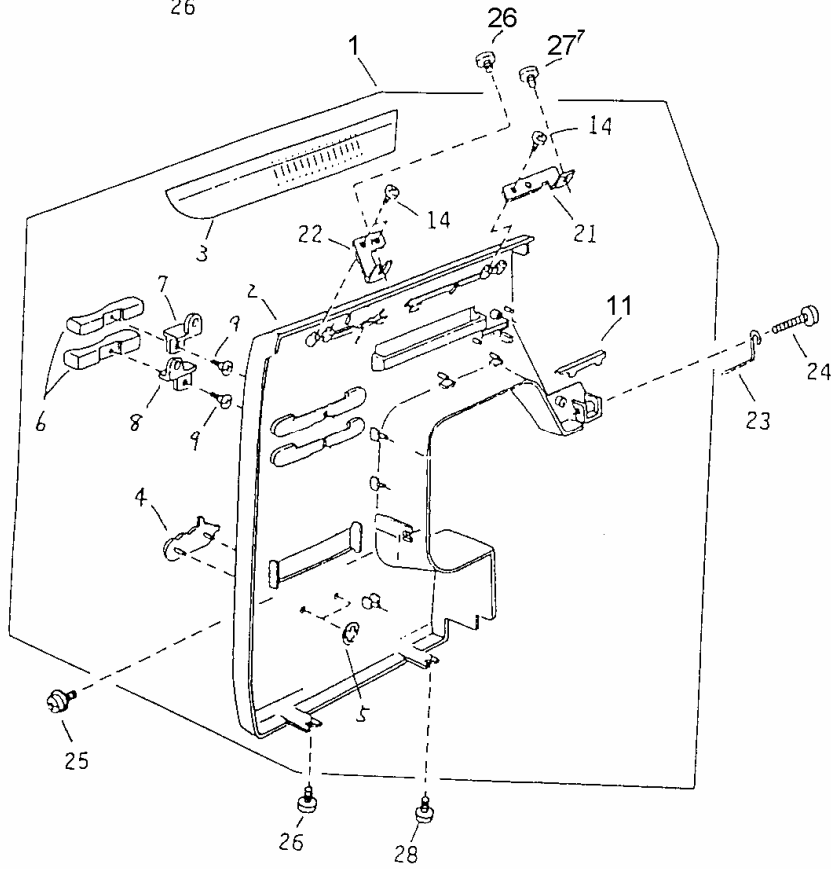
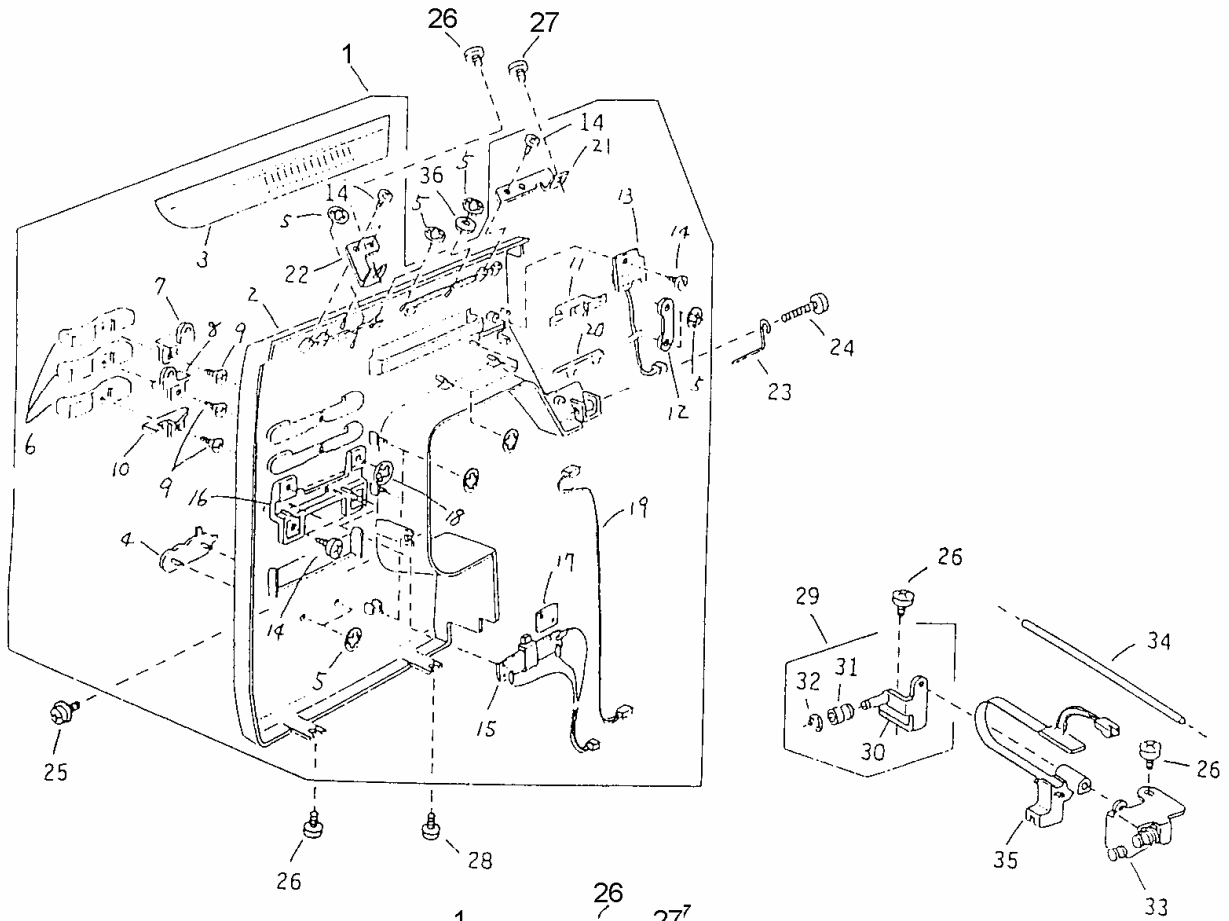


1	395716-12	Switch holder
2	395716-07	Screw
3	395716-13	Bobbin winder switch unit
4	395716-14	Sensor holder
5	395716-15	Photo sensor unit
6	395710-38	Set screw
7	395723-66	Upper shaft unit 3007 3005
	395714-41	Upper shaft unit 3003
8	395711-46	Set screw
9	395711-47	Set screw 3007 3005
	395714-43	Set screw 3003
10	395711-25	Set screw
11	395712-14	Set screw
12	395711-57	Screw
13	395716-10	Shielding plate
14	395714-39	Hexagon screw
15	395716-11	Hexagon nut
16	395723-67	Needle bar crank pin unit
17	395723-68	Thread take-up lever unit
18	395714-54	Thread take-up lever shaft
19	395711-34	Snap ring
20	395714-45	Upper shaft bushing (rear)
21	395723-69	Upper shaft timing gear 3007 3005
	395714-46	Upper shaft timing gear 3003
22	395714-48	Washer
23	395718-63	Declutch release ring
24	395718-65	Clutch ring
25	395718-64	Clutch spring
26	395718-66	Gear 3007
	395723-70	Gear 3005
27	395723-71	Bobbin winder base
28	395723-72	Screw
29	395718-68	Balance wheel 3007 3005
30	395714-47	Timing belt
31	395714-49	Washer
32	395714-57	Balance wheel 3003
33	395714-58	Clutch pin
34	395714-59	Clutch pin spring
35	395714-60	Clutch knob
36	395714-61	Clutch spring
37	395710-64	Screw
38	395712-37	Washer
39	395714-62	Washer
40	395714-63	Screw
41	395714-64	Clutch cap

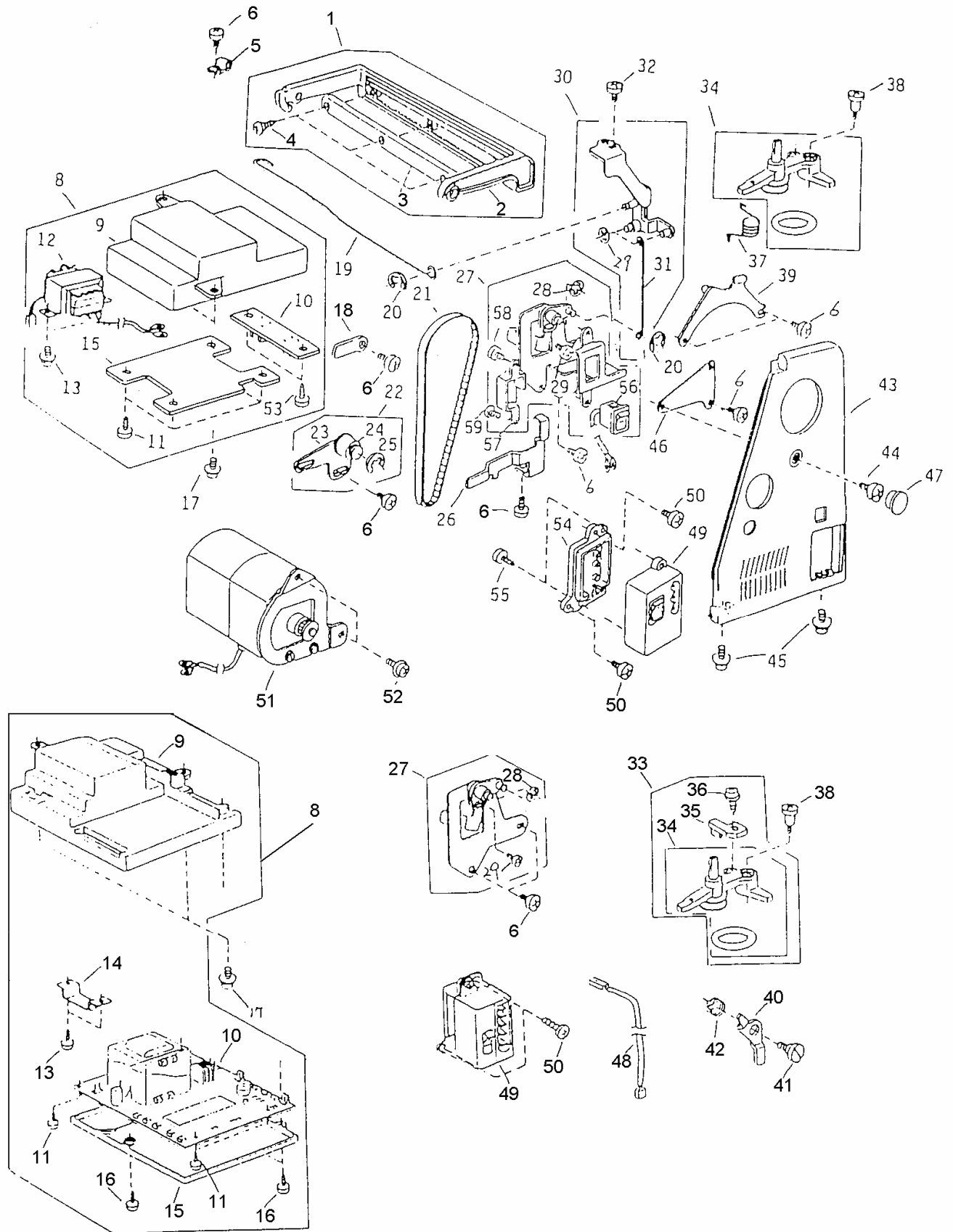


- | | | |
|---|------------------------|--|
| 1 | 395723-73
395723-74 | Front cover unit 3007 M3005
Front cover unit 3003 |
|---|------------------------|--|

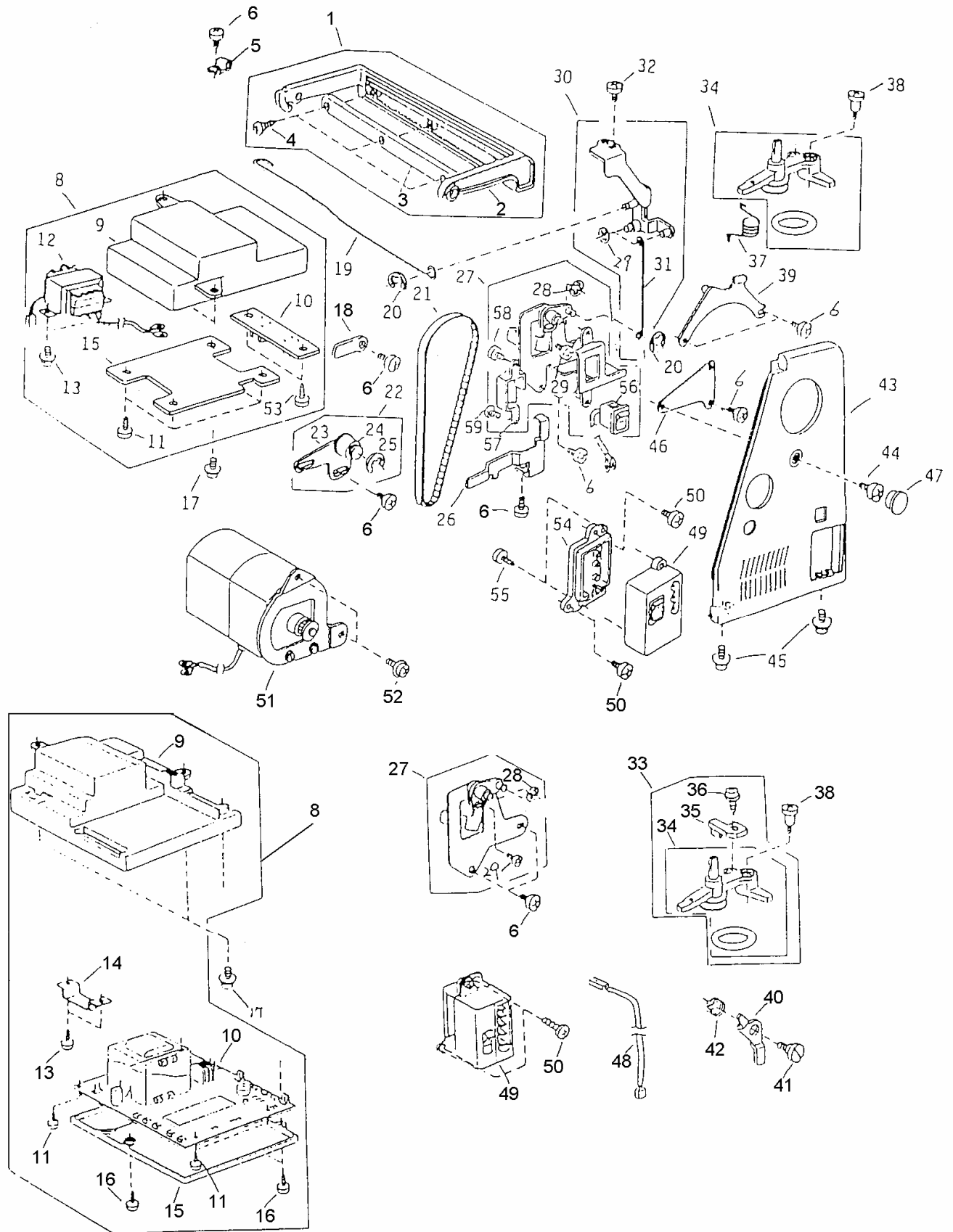
2	395723-75	Front cover 3007
	395723-76	Front cover 3005 M3003
3	395723-77	Pattern indication plate 3007
	395723-78	Pattern indication plate 3005
	395723-79	Pattern indication plate 3003
4	395710-48	"elna" mark
5	395710-49	Snap ring
6	395723-80	Slide lever
7	395723-81	Zigzag adjusting slider
8	395723-82	Stitch length adjusting slider
9	395723-83	Screw
10	395723-84	Slider 3007
11	395723-85	Up/Down needle position button 3007
12	395723-86	Up and Down needle position button holder 3007)
13	395723-87	Printed board UO unit 3007
14	395713-65	Screw
15	395716-25	Slide volume unit 3007
16	395723-88	Slide volume holder 3007
17	395723-89	Insulating paper 3007
18	395712-07	Snap ring
19	395723-90	Junction cord unit 3007
	395723-91	Junction cord unit 3005
20	395715-45	Thread protecting plate
21	395715-46	Front panel retaining plate (front)
22	395715-47	Front panel retaining plate (rear)
23	395715-48	Arm thread guide
24	395715-49	Screw
25	395715-50	Screw
26	395710-42	Screw
27	395713-96	Screw
28	395710-38	Screw
29	395723-92	Indicator guide holder unit
30	395723-93	Indicator guide holder (front)
31	395724-46	Guide roller
32	395713-99	Snap ring
33	395723-61	Indicator guide holder (rear)
34	395723-95	Indicator guide
35	395716-28	Flexible printed board 3007 3005
	395723-96	Indicator 3003
36	395711-11	Washer 3007 3005



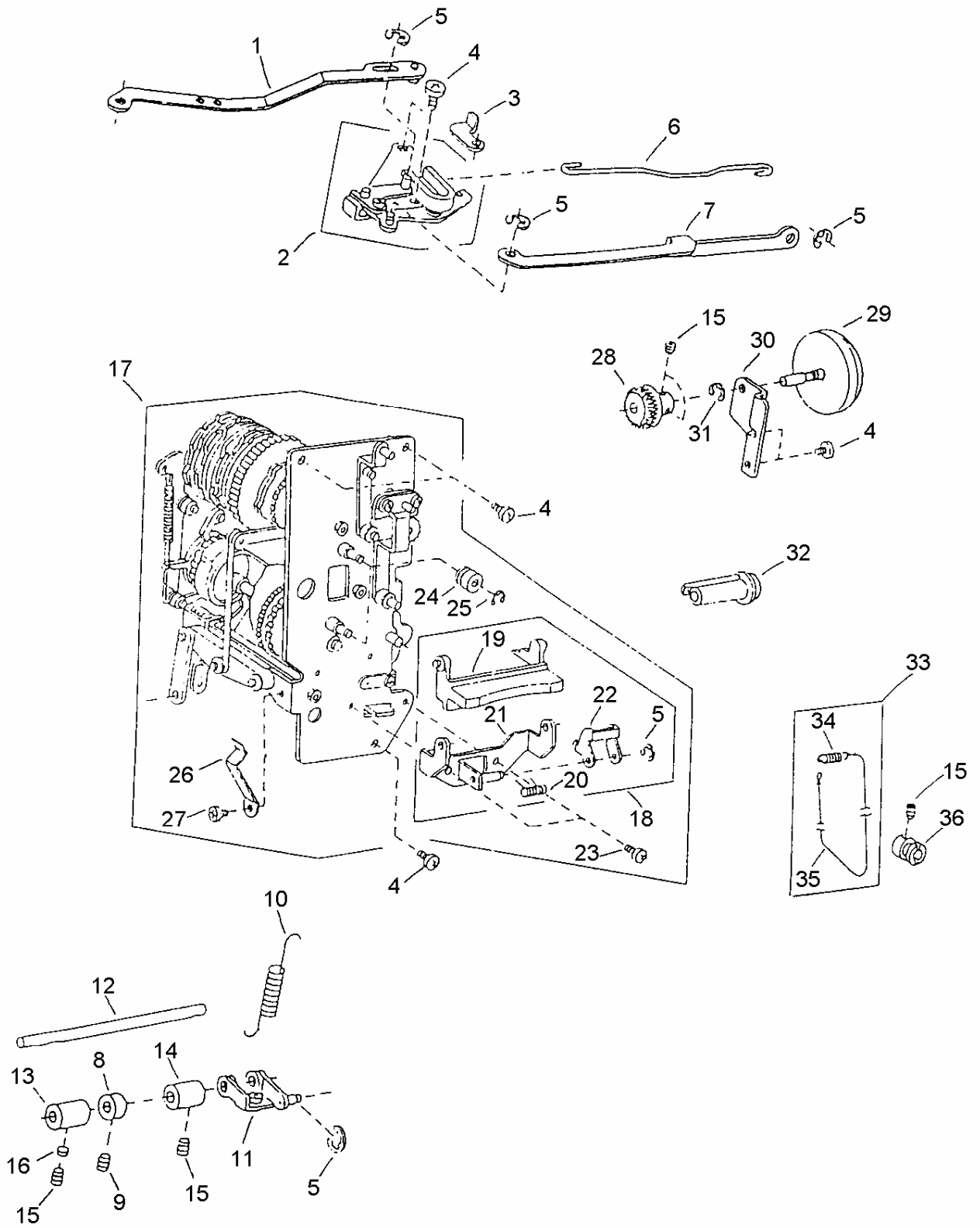
1	395715-65	Carrying handle unit
2	395715-66	Carrying handle
3	395715-67	Carrying handle plate
4	395715-68	Screw
5	395716-32	Nylon dip
6	395710-42	Screw
7	395723-97	Printed board case holder 3007
8	395723-98	Printed board case unit 3007 230V
	395723-99	Printed board case unit 3007 120V
	395724-00	Printed board case unit 3005 230V
	395724-01	Printed board case unit 3005 120V
9	395724-02	Printed board case 3007
	395724-03	Printed board case 3005
10	395724-04	Printed board B unit 3007 230V
	395724-05	Printed board B unit 3007 120V
	395724-06	Printed board unit 3005
11	395713-65	Screw 3007 3005
12	395724-07	Transformer 3007 230V
	395724-08	Transformer 3005 230V
	395724-09	Transformer 3005 120V
13	395724-10	Screw 3007 230V and 3005 230V 120V
	395713-65	Screw 3007 120V
14	395724-11	Transformer cover 3007 230V
	395724-12	Transformer supporter plate 3007 120V
15	395724-13	Printed board case cover 3007
	395724-14	Printed board case cover 3005
16	395718-34	Screw
17	395715-50	Screw
18	395716-40	Cord guide
19	395715-74	BH drag rod
20	395711-03	Snap ring
21	395724-15	Timing belt 3007
	395712-77	Timing belt 3005
22	395715-88	Idler unit
23	395724-16	Idler base
24	395722-74	Idler
25	395711-34	Snap ring
26	395716-39	Cord guide
27	395715-72	Step up base unit 3007 230 120V 3005 3003 230V
	395724-17	Step up base unit 3005 3003 120V
28	395712-07	Snap ring
29	395715-73	Screw
30	395724-18	Drag rod link unit
31	395724-19	BH drag rod (2) 3007
	395715-70	BH drag rod (2) 3005
32	395722-44	Screw
33	395716-33	Bobbin winder complete unit 3007
34	395715-76	Bobbin winder unit
35	395716-34	Switch plate 3007
36	395716-35	Screw 3007



38	395722-80	Screw
39	395715-80	Carrying handle supporter plate
40	395724-20	Declutch arm
41	395722-83	Screw
42	395724-21	Declutch arm spring
43	395724-22	Belt cover 3007 230V 120V and 3005 230V
	395724-23	Belt cover 3005 120V
	395724-24	Belt cover 3003 230V
	395724-25	Belt cover 3003 120V
44	395715-82	Screw
45	395710-41	Screw
46	395715-83	Belt cover holder
47	395710-61	Lid
48	395724-26	Junction cord unit
49	395724-27	Machine socket unit 3007 230V
	395724-28	Machine socket unit 3007 120V
	395712-56	Machine socket unit 3005 230V
	395712-57	Machine socket unit 3005 120V
50	395711-12	Screw
51	395724-29	Motor unit 3007 230V
	395724-30	Motor unit 3007 120V
	395724-31	Motor unit 3005 230V
	395724-32	Motor unit 3005 3003 USA
	395724-33	Motor unit 3005 3003 Canada
52	395712-76	Screw
53	395724-34	Screw
54	395712-58	Machine socket cover 3005
55	395724-35	Screw 3005
56	395724-36	Switch unit 3005 3003 120V
57	395724-37	Switch cover 3005 3003 120V
58	395713-96	Screw 3005 3003 120V
59	395724-38	Screw 3005 3003 120V



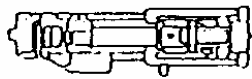
1	395724-39	Zigzag width rod (front)
2	395715-08	Zigzag width crank unit
3	395715-09	Zigzag stopper
4	395710-42	Screw
5	395711-03	Snap ring
6	395715-10	Zigzag width rod
7	395724-40	Zigzag width adjusting rod
8	395715-33	Ring
9	395714-39	Screw
10	395715-34	Regulator spring
11	395715-28	Feed regulating arm unit
12	395715-29	Feed shaft
13	395715-30	Feed shaft bushing (front)
14	395715-31	Feed shaft bushing (rear)
15	395712-14	Screw
16	395715-32	Screw stopper plate
17	395724-41	Cam block unit 3007
	395724-42	Cam block unit 3005
	395724-43	Cam block unit 3003
18	395724-44	R button unit
19	395724-45	R button
20	395715-24	R button spring
21	395715-25	R button supporter
22	395715-26	R button (2)
23	395716-07	Screw
24	395724-46	Guide roller
25	395713-99	Snap ring
26	395724-47	Index spring
27	395713-96	Screw
28	395715-14	Dial gear
29	395724-48	Pattern selector dial
30	395724-49	Dial supporter
32	395710-96	Snap ring
31	395724-50	SS adjusting knob
33	395724-51	Indicator string unit
34	395715-58	Spring
35	395715-59	Indicator string
36	395724-52	Ring 3007
	395724-53	Ring 3005 3003



1	395719-29	Zigzag foot
2	395719-30	BH foot
3	395719-31	Zipper foot
4	395719-32	Satin stitch foot
5	494430-10	Bobbin
6	395719-33	Hemmer foot
7	395719-34	Overedge foot
8	395719-35	Blind Switch foot
9	395719-36	Lint brush
10	395710-13	Seam ripper
11	395719-37	Needle case unit
12	395710-10	Screwdriver (small)
13	395710-09	Screwdriver (large)
14	395719-38	Spool holder (small)
15	395719-39	Spool holder (targe)
16	3957T9-40	Quitter guide
17	395719-41	Felt
18	395719-42	Spoon pin
19a	395724-55	Foot controller 3007 Australia
	395724-56	Foot controller 3007 USA
	395724-57	Foot controller 3007 Canada
	395713-05	Foot controller 3007 Continental Europe South Africa
	395724-58	Foot controller 3007 UK
19b	395712-78	Foot controller 3005 3003 USA
	395712-79	Foot controller 3005 3003 Canada
19c	395724-58	Foot controller 3005 3003 Australia
	395724-59	Foot controller 3005 3003 Continental Europe South Africa
	395724-60	Foot controller 3005 3003 UK
20	395705-15	Instruction manual UK Ger Fr It
	395706-15	Instruction manual Dan Swe Nor Fin
	395707-19	Instruction manual Ger Fr Dnt
	395708-19	Instruction manual Ger Hon Slo
	395709-19	Instruction manual Eng Fr Sp
21	395719-50	Hard resin cover not illustrated
22	395716-56	Styrofoam set not illustrated
23	395716-58	Carton box not illustrated



1



2



3



4



5



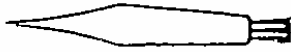
6



7



8



9



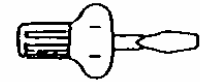
10



11



12



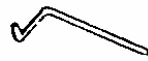
13



14



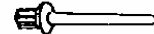
15



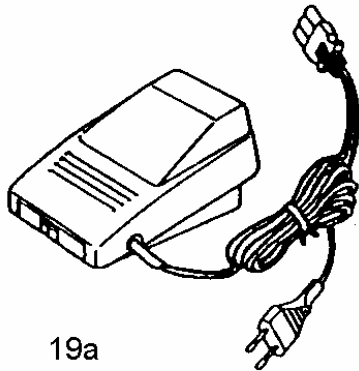
16



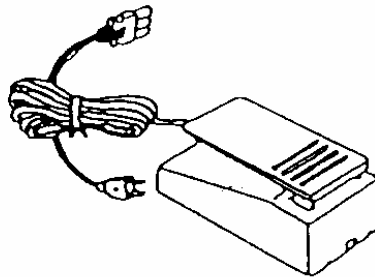
17



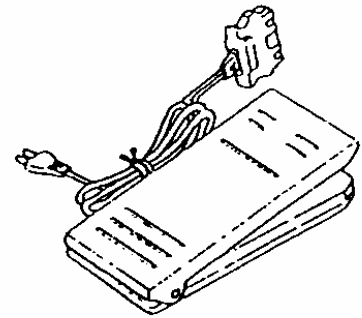
18



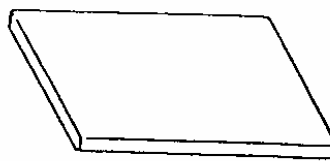
19a



19b



19c



20