

MODEL *1500*

PIÈCES DE RECHANGE

ERSATZTEILE

SPARE PARTS

PIEZAS DE RECAMBIO

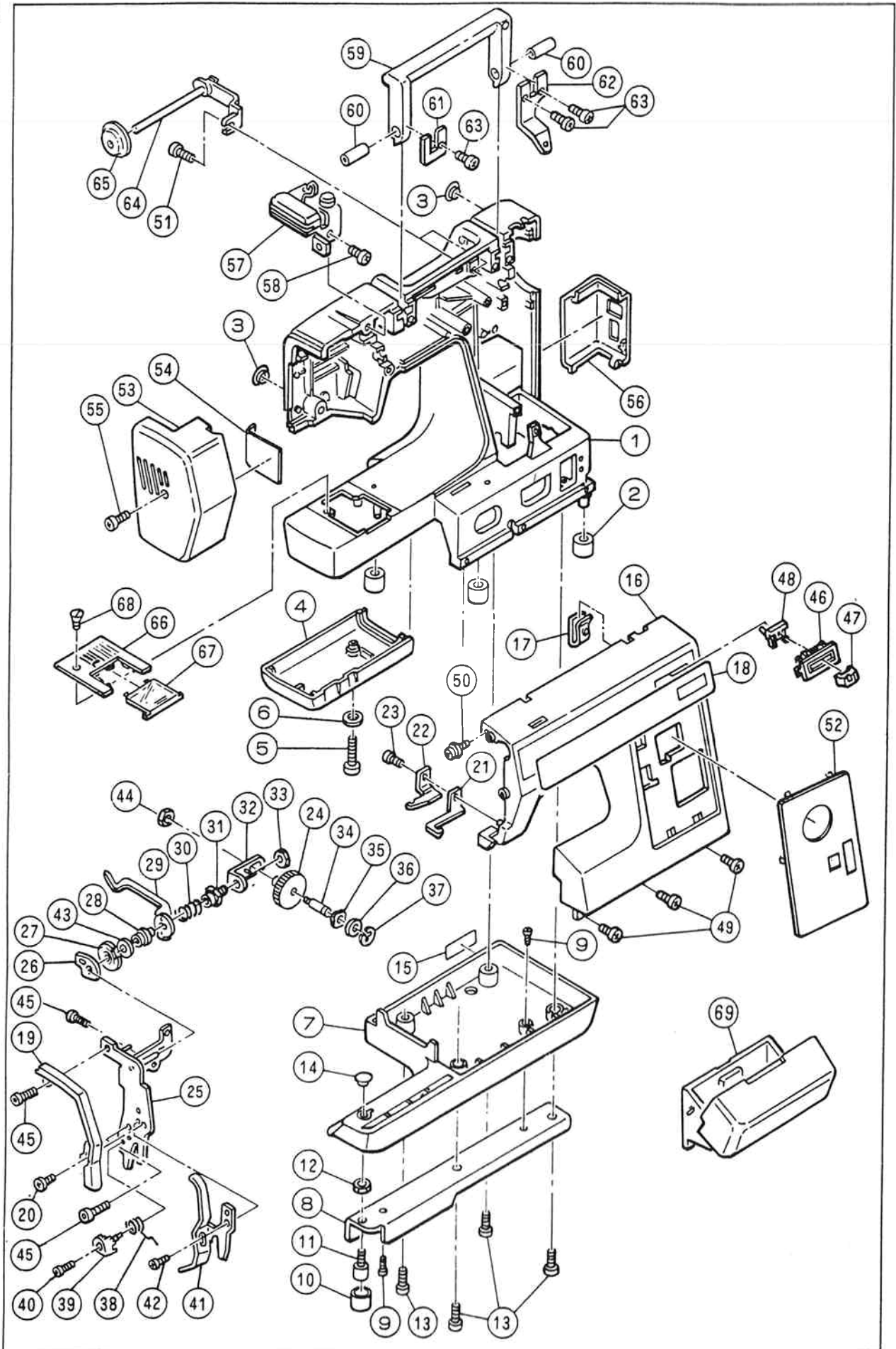
OCTOBER, 1991

395900-20

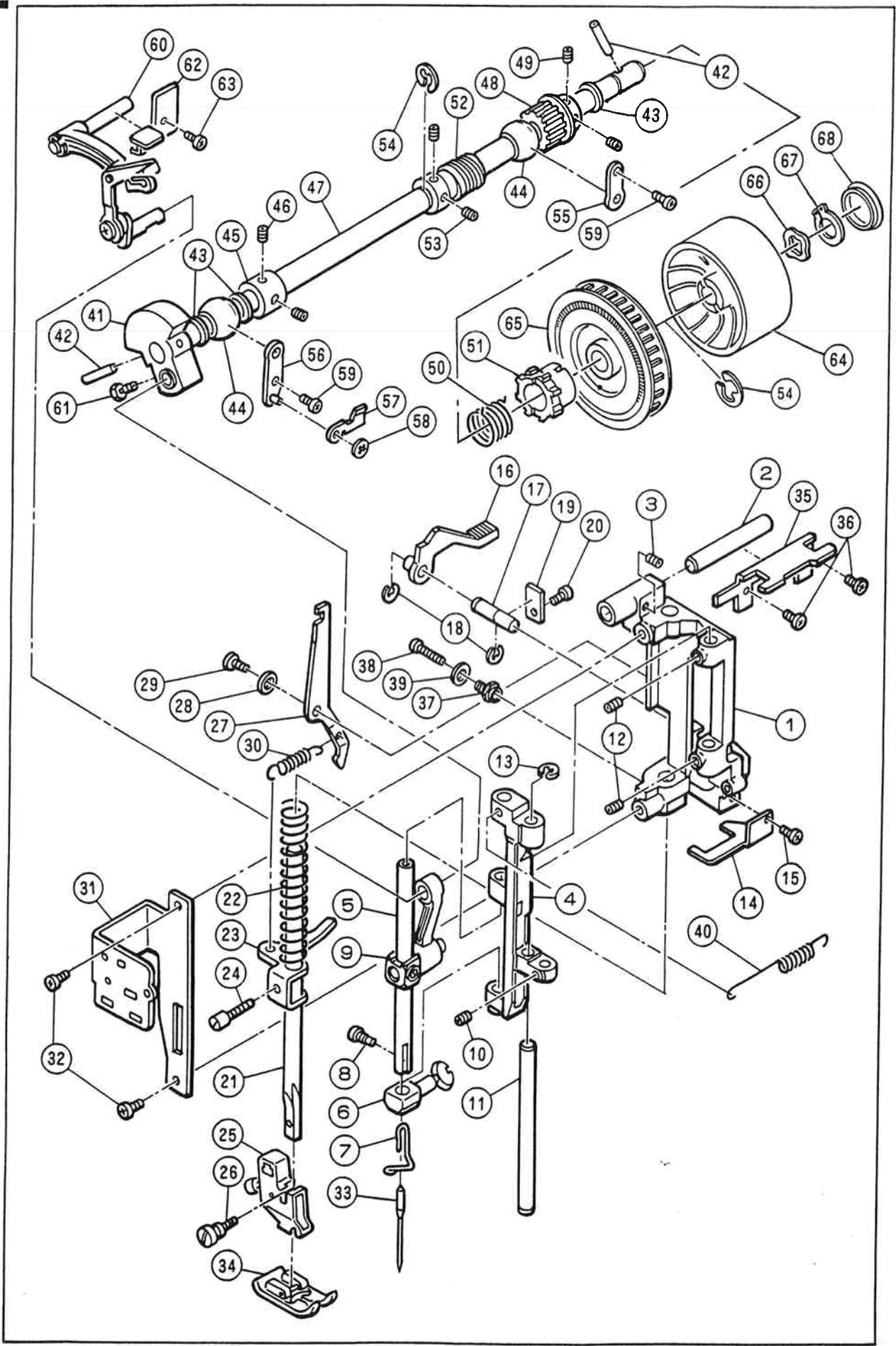
INDEX

- 1 Head, bed lid, base plate, front cover, upper tension device, front panel, light cover, terminal cover, handle, spool pin, needle plate, extension table
 - 2 Needle bar, presser bar, main shaft, flywheel
 - 3 Belt tension regulator, timing belt, lower shaft, feed rock shaft, hook race
 - 4 Bobbin winder, zigzag unit, feed regulator
 - 5 Motor, light, foot controller
 - 6 Accessories, instruction books
- 7/8/9. Drawing number index and weights

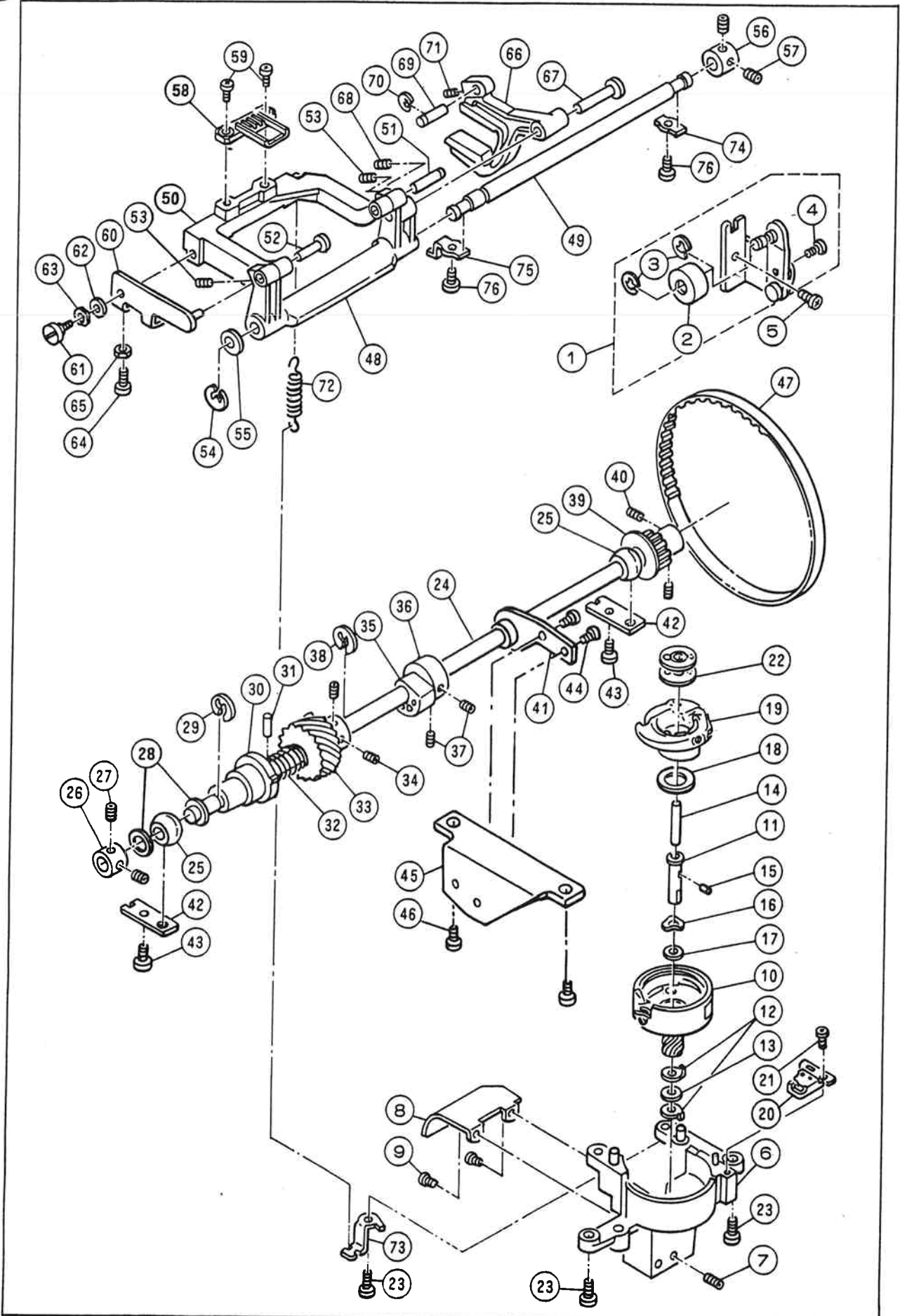
1



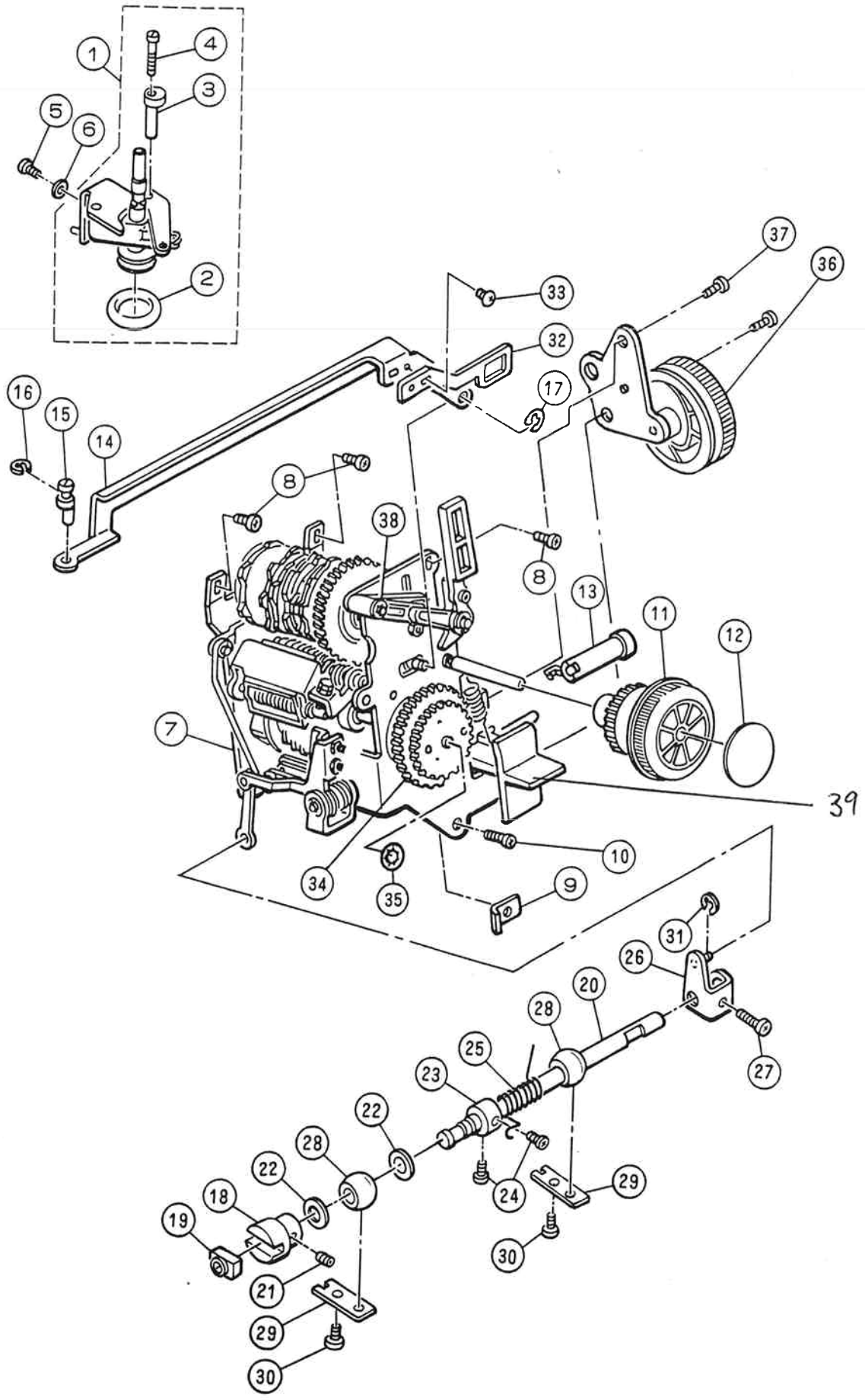
Ref. No.	Happy's Part No.	Tavaro's Part No.	Name of Part
1	30000	395'525-43	Head
2	91362	395'525-44	Rubber Foot
3	91365-2	395'525-45	Cap
4	30001	395'525-46	Bed Lid
5	S 90592-C	395'527-31	Set Screw (Pan:M4x0.7x20)
6	7356	395'520-85	Washer (5.5x10x0.8)
*	30003	395'525-48	Base Assy. (Incl. 7-12)
7	30004	395'525-49	Base
8	30005	395'525-50	Base Reinforcement Plate
9	S 10812-B	395'521-36	Tapping Screw (Bind:M3x10)
10	91362	395'525-44	Rubber Foot
11	S 30006	395'525-52	Rubber Foot Adjusting Screw
12	N 91648	395'525-53	Adjustable Lock Nut
13	S 11353	395'525-54	Set Screw (Pan:M5x0.8x12)
14	91365-2	395'525-45	Cap
15a	30415	395'527-34	Serial Number Plate (USA)
15b	30419	395'527-67	Serial Number Plate (CDN)
15c	30277	395'527-68	Serial Number Plate (D)
15d	30420	395'527-69	Serial Number Plate (AUS)
*	30458	395'527-70	Front Cover Assy. (Incl. 16-48)
16	30459	395'527-71	Front Cover
17	N 30009	395'525-63	Front Cover Nut
18	30416	395'527-72	Pattern Chart Label
19	30034	395'525-65	Thread Take-Up Lever Cover
20	S 2890	396'204-57	Set Screw (Bind:M4x0.7x6)
21	30032	395'525-67	Lower Thread Guide (A)
22	30033	395'525-68	Lower Thread Guide (B)
23	S 30123	395'525-69	Set Screw (Bind:M4x0.7x12)
*	30505	395'527-73	Tension Regulator Assy. (Incl. 24-44)
24	30015	395'525-71	Tension Dial
25	30016	395'525-72	Tension Bracket w/Pins
26	30018	395'525-73	Tension Disc (L)
27	30017	395'525-74	Tension Disc (R)
28	30154	395'525-75	Tension Collar
29	30022	395'525-76	Tension Releasing Lever
30	12481	395'525-77	Tension Spring
31	12482	395'525-78	Tension Adjusting Screw
32	30021	395'525-79	Tension Plate
33	N 12483	395'525-80	Tension Adjusting Nut
34	30020	395'525-81	Tension Dial Shaft
35	11137	395'521-14	Wave Washer (6x11x1.0)
36	10361	395'520-95	Washer (6x12x0.6)
37	7492	395'523-00	Snap Ring (5x11x0.6)
38	30027	395'525-82	Check Spring
39	30029	395'525-83	Check Spring Cover
40	S 11431	395'525-84	Set Screw (Pan:M3x0.5x14)
41	30506	395'527-74	Thread Route Guide
42	S 11697	396'205-84	Set Screw (Bind:M3x0.5x4)
43	30044	395'527-75	Washer(5x15x0.5)
44	N 72	395'521-28	Nut (1/8x2.5)
45	S 30123	395'525-69	Set Screw (Bind:M4x0.7x12)
46	30079	395'525-87	Stitch Width Lever Holder
47	30507	395'527-76	Stitch Width Lever
48	30058	395'525-89	Stitch Width Lever Base
49	S 2812	395'520-12	Set Screw (Bind:M4x0.7x8)
50	S 12886	395'525-90	Set Screw (M3x0.5x8w/Washer)
51	S 30274	395'527-77	Set Screw (Bind:M4x0.7x14)
52	30417	395'527-78	Front Panel
53	30035-3	395'527-79	Light Cover
54	30026	395'525-95	Heat Reflector
55	S 90810	395'520-35	Set Screw (Bind:M4x0.7x8)
56a	30112	395'525-96	Terminal Cover (USA,CDN)
56b	30120	395'525-97	Terminal Cover (D,AUS)
57	30063	395'525-98	Thread Guide Assy.
58	S 2812	395'520-12	Set Screw (Bind:M4x0.7x8)
59	30069	395'525-99	Carrying Handle
60	30070	395'526-00	Carrying Handle Pin
61	30071	395'526-01	Carrying Handle Holder (L)
62	30072	395'526-02	Carrying Handle Holder (R)
63	S 2812	395'520-12	Set Screw (Bind:M4x0.7x8)
64	30073	395'526-03	Spool Pin
65	30074	395'526-04	Spool Cap
66	30129	395'526-05	Needle Plate Assy. (Incl. 66)
67	30196	395'526-06	Bobbin Cover Plate
68	S 30201	395'526-07	Needle Plate Set Screw
69	30192	395'526-08	Extension Table



Ref. No.	Happy's Part No.	Tavaro's Part No.	Name of Part
*	30037	395'526-09	Needle Bar Guide Bracket Assy. (Incl. 1-32)
1	30038	395'526-10	Needle Bar Guide Bracket
2	30039	395'526-11	Guide Bracket Shaft
3	S 12544	396'205-64	Set Screw (Hex Socket:M4x0.7x4)
*	30041	395'526-13	Needle Bar Guide Assy.. (Incl.4-10)
4	30042	395'526-14	Needle Bar Guide
5	30048	395'526-15	Needle Bar
6	13068-T	395'526-16	Needle Clamp
7	60231	395'526-17	Needle Bar Thread Guide
8	S 12040	395'526-18	Needle Bar Thread Guide Set Screw
9	30049	395'526-19	Needle Bar Clank Rod Assy.
10	S 30388	395'527-80	Set Screw (Hex Socket:M4x0.7x4)
11	30043	395'526-20	Needle Bar Guide Fulcrum Shaft
12	S 30388	395'527-80	Set Screw (Hex Socket:M4x0.7x4)
13	4993	395'520-03	Snap Ring (4x9x0.6)
14	30028	395'526-21	Needle Bar Guide Limiting Plate
15	S 2808	395'520-11	Set Screw (Pan: M4x0.7x5)
16	30051	395'526-22	Presser Foot Lifter
17	30052	395'526-23	Presser Foot Lifter Fulcrum Shaft
18	4993	395'520-03	Snap Ring (4x9x0.6)
19	30040	395'526-24	Presser Foot Lifter Fulcrum Shaft Holder
20	S 2890	396'204-57	Set Screw (Bind: M4x0.7x6)
21	30054	395'526-25	Presser Bar
22	30053	395'526-26	Presser Bar Spring
23	30055	395'526-27	Presser Bar Guide Bracket
24	S 30056	395'526-28	Presser Foot Guide Bracket Set Screw
25	13235	395'526-29	Presser Foot Holder
26	S 154	395'522-20	Presser Foot Thumb Screw
27	30023	395'526-30	Tension Release Connecting Plate
28	30024	395'526-31	Connecting Plate Collar
29	S 2812	395'520-12	Set Screw (Bind: M4x0.7x8)
30	30167	395'526-32	Connecting Plate Spring
31	30060	395'526-33	Socket Holder
32	S 2812	395'520-12	Set Screw (Bind: M4x0.7x8)
33	1208		Needle (HAX1- #14)
34	30057	395'525-37	Ordinary Foot
35	30046	395'526-34	Guide Bracket Shaft Holder
36	S 2812	395'520-12	Set Screw (Bind: M4x0.7x8)
37	S 30061	395'526-35	Needle Point Adjusting Screw
38	S 30138	395'526-36	Set Screw (Hex Socket: M4x0.7x16)
39	6277-1	395'526-37	Washer (5x10x1.0)
40	30047	395'526-38	Needle Bar Guide Spring
*	30418	395'527-81	Main Shaft Assy. (Incl. 41-54)
41	30083	395'526-40	Balance Weight
42	1474	395'522-04	Roll Pin
43	12005	395'526-41	Polyslider (10x15x0.25)
44	30084	395'526-42	Main Shaft Ball Bushing
45	30085	395'526-43	Main Shaft Collar
46	S 60466	396'204-96	Set Screw (Hex Socket: M5x0.8x5)
47	30296	395'527-82	Main Shaft
48	30087	395'526-46	Main Shaft Pulley
49	S 60466	396'204-96	Set Screw (Hex Socket: M5x0.8x5)
50	30297	395'527-83	Spring for Auto-clutch
51	30298	395'527-84	Cap for Auto-clutch Spring
52	30089	395'526-48	Worm Wheel
53	S 12544	396'205-64	Set Screw (Hex Socket: M4x0.7x4)
54	30045	395'526-49	Main Shaft Washer
55	30096	395'526-50	Main Shaft Bushing Holder (R)
56	30125	395'526-51	Main Shaft Bushing Holder (L)
57	30010	395'526-52	Front Cover Supporter
58	N 10944	395'521-17	Front Cover Supporter Push Nut
59	S 30273	395'527-85	Set Screw (Bind: M4x0.7x10)
60	30495	395'527-86	Thread Take-up Lever Assy.
61	BS 6/6	395'526-54	Take-up Lever Assy. Set Screw
62	30100	395'526-55	Take-up Lever Pin Holder
63	S 2812	395'520-12	Set Screw (Bind: M4x0.7x8)
64	30280	395'527-87	Flywheel
65	30282	395'527-88	Belt Wheel
66	60923	395'527-89	Wave Washer (10.6x15x0.25)
67	30299	395'527-90	C-type Retaining Ring (10)
68	30281	395'527-91	Cap for Flywheel



Ref. No.	Happy's Part No.	Tavaro's Part No.	Name of Part
1	30092	395'526-58	Belt Tension Regulator Assy. (Incl. 2-4)
2	91451	395'526-59	Belt Tension Wheel
3	7156	395'520-04	Snap Ring (6x12x0.8)
4	S 2890	396'204-57	Set Screw (Bind: M4x0.7x6)
5	S 2812	395'520-12	Set Screw (Bind: M4x0.7x8)
*	30130	395'526-60	Bobbin Holder Unit (Incl. 6-21)
6	30137	395'526-61	Bobbin Holder Base w/Pins
7	S 30389	395'527-92	Bobbin Holder Base Set Screw
8	30156	395'526-62	Gear Cover
9	S 11697-B	395'526-63	Set Screw (Bind: M3x0.5x4)
10	30113	395'526-64	Hook Race Assy.
11	30131	395'526-65	Hook Race Shaft
12	30133	395'526-66	Washer
13	30134	395'526-67	Polyslider (9.5x6.5x0.5)
14	30135	395'526-68	Oil Wick (1)
15	30136	395'526-69	Oil Wick (2)
16	30386	395'527-93	Wave Washer (6.2x10x0.1)
17	30387	395'527-94	Washer (6.2x10x0.1)
18	30118	395'526-70	Magnet
19	30119	395'526-71	Bobbin Holder
x 20	30139	395'526-72	Bobbin Holder Stopper
21	S 11697-B	395'526-63	Set Screw (Bind: M3x0.5x4)
22	30222	494'430	Bobbin
23	S 10706	395'526-73	Set Screw (Bind: M4x0.7x14)
*	30336	395'527-95	Lower Shaft Assy. (Incl. 24-41)
24	30176	395'526-75	Lower Shaft
25	30177	395'526-76	Lower Shaft Ball Bushing
26	30178	395'526-77	Lower Shaft Collar
27	S 12544	396'205-64	Set Screw (Hex Socket: M4x0.7x4)
28	60254	396'204-33	Polyslider (8x12x0.3)
29	60204	395'526-79	Snap Ring (7x14x0.8)
30	30179	395'526-80	Feed Rocking Cam
31	30180	395'526-81	Rocking Cam Pin
32	30181	395'526-82	Feed Rocking Cam Spring
33	30182	395'526-83	Lower Shaft Gear
34	S 60466	396'204-96	Set Screw (Hex Socket: M5x0.8x5)
35	30184	395'526-84	Feed Cam
36	30183	395'526-85	Feed Cam Collar
37	S 90932	395'524-27	Set Screw (Hex Socket: M4x0.7x6)
38	60204	395'526-79	Snap Ring (7x14x0.8)
39	30185	395'526-86	Lower Shaft Belt Pulley
40	S 60466	396'204-96	Set Screw (Hex Socket: M4x0.7x6)
41	30337	395'527-96	Lower Shaft Supporting Plate
42	30186	395'527-32	Lower Shaft Bushing Holder
43	S 2812	395'520-12	Set Screw (Bind: M4x0.7x8)
44	S 2890	396'204-57	Set Screw (Bind: M4x0.7x6)
45	30509	395'527-97	Bracket for Supporting Plate
46	S 2812	395'520-12	Set Screw (Bind: M4x0.7x8)
47	30091	395'526-87	Timing Belt (XL160)
*	30158	395'526-88	Feed Shaft Assy. (Incl. 48-72)
48	30159	395'526-89	Feed Shaft Guide
49	30160	395'526-90	Feed Shaft
50	30161	395'526-91	Feed Dog Base
51	30162	395'526-92	Feed Base Fulcrum Pin (R)
52	30163	395'526-93	Feed Base Fulcrum Pin (L)
53	S 12544	396'205-64	Set Screw (Hex Socket: M4x0.7x4)
54	7492	395'523-00	Snap Ring (5x11x0.6)
55	12365	395'526-94	Polyslider (7.5x12x0.25)
56	30168	395'526-95	Feed Shaft Collar
57	S 12544	396'205-64	Set Screw (Hex Socket: M4x0.7x4)
58	30164	395'526-96	Feed Dog
59	S 2868	395'525-32	Set Screw (Bind: M3.5x0.6x6)
60	30165	395'526-97	Feed Driving Cam Follower
61	S 30166	395'526-98	Cam Follower Hinge Screw
62	6277-4	395'520-89	Washer (5x10x0.4)
63	12006	395'526-99	Wave Washer (5x10x0.8)
64	S 30153	395'527-00	Adjusting Screw (Pan: M3x0.5x8)
65	N 13189	395'527-01	Hex Nut (M3x0.5x7)
66	30169	395'527-02	Forked Cam Follower
67	30170	395'527-03	Forked Cam Follower Pin
68	S 12544	396'205-6 4	Set Screw (Hex Socket: M4x0.7x4)
69	30172	395'527-04	Slide Block Shaft
70	4993	395'520-03	Snap Ring (4x9x0.6)
71	S 12544	396'205-64	Set Screw (Hex Socket: M4x0.7x4)
72	30167	395'526-32	Feed Dog Base Spring
73	30157	395'527-07	Hook for Spring
74	30173	395'527-08	Feed Shaft Holder (R)
75	30174	395'527-09	Feed Shaft Holder (L)
76	S 2812	395'520-12	Set Screw (Bind: M4x0.7x8)



Ref. No.	Happy's Part No.	Tavaro's Part No.	Name of Part
1	30331	395'527-98	Bobbin Winder Assy. (Incl. 2-4)
2	1352	395'521-35	Rubber Ring
3	30081	395'527-11	Limiting Pipe
4	S 10848	395'527-12	Limiting Pipe Set Screw
5	S 10706	395'526-73	Set Screw (Bind:M4x0.7x14)
6	7240	396'203-49	Washer
7	30210	395'527-15	Z/Z Unit Assy.
8	S 2812	395'520-12	Set Screw (Bind: M4x0.7x8)
9	N 30194	395'527-16	Z/Z Unit Nut
10	S 2810	395'527-17	Set Screw (Bind: M4x0.7x10)
11	30212	395'527-18	Stitch Selection Dial
12	30423	395'527-99	Stitch Selection Cap
13	30127	395'527-20	Forward/Reverse Adjusting Knob
14	30205	395'527-21	Needle Bar Guide Rod
15	30206	395'527-22	Needle Bar Guide Eccentric Pin
16	7221	395'520-05	Snap Ring (3x7x0.6)
17	7221	395'520-05	Snap Ring (3x7x0.6)
*	30187	395'527-23	Feed Regulator Assy. (Incl. 18-28)
18	30188	395'527-24	Feed Regulator
19	30189	395'527-25	Feed Slide Block
20	30190	395'527-26	Feed Regulator Shaft
21	S 90932	395'524-27	Set Screw (Hex Socket: M4x0.7x6)
22	60254	396'204-33	Polyslider (8x12x0.3)
23	30178	395'526-77	Feed Regulator Collar
24	S 90855	395'520-37	Set Screw (Pan: M4x0.7x10)
25	30191	395'527-29	Feed Regulator Spring
26	30193	395'527-30	Feed Regulator Arm
27	S 2812	395'520-12	Set Screw (Bind: M4x0.7x8)
28	30177	395'526-76	Ball Bushing
29	30186	395'527-32	Ball Bushing Holder
30	S 2812	395'520-12	Set Screw (Bind: M4x0.7x8)
31	7221	395'520-05	Snap Ring (3x7x0.6)
32	30227	395'528-00	Needle Position Adjusting Plate
33	S 11697-B	395'526-63	Set Screw (Bind: M3x0.5x4)
34	30221	395'528-01	Gear for Pattern Selector Cam
35	N 12768	395'528-02	Push Nut (E7)
36	30210-80B	395'528-03	Stitch Length Dial Assy.
37	S 2812	395'520-12	Set Screw (Bind: M4x0.7x8)
38	N 90856	395'527-05	Self-locking Ring
39	30215	395'528-99	Revers lever