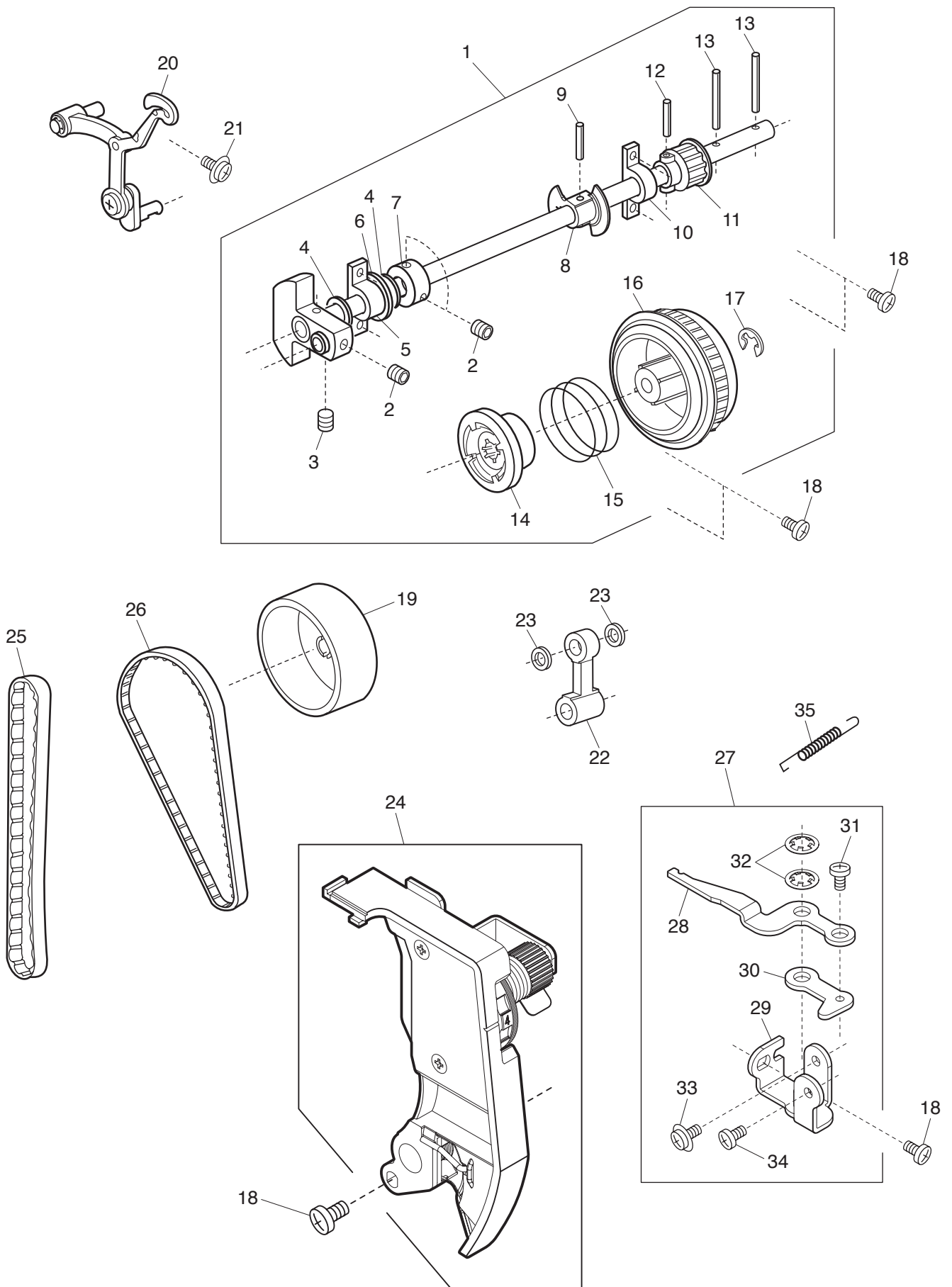


PARTS LIST

MODEL: eXperience 450

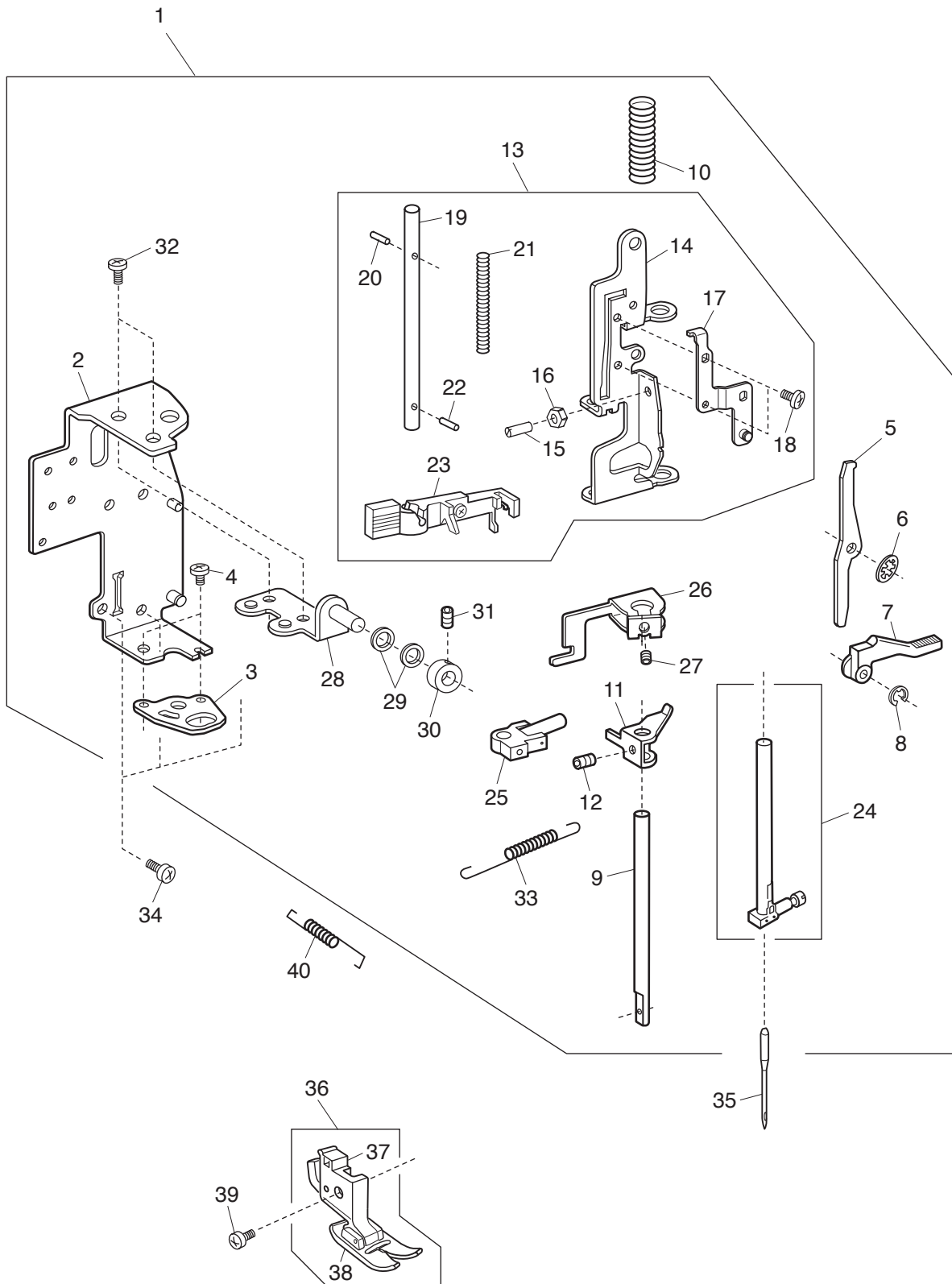
PARTS LIST



PARTS LIST

| KEY NO. | PARTS NO. | DESCRIPTION |
|------------|--------------|--------------------------------------|
| 1 | 805601006 | Upper shaft (unit) |
| 2 | 000111201 | Hexagonal socket screw 4x4 |
| 3 | 000112800 | Hexagonal socket screw 4x6 |
| 4 | 000036201 | Washer FT80 |
| 5 | 508120006 | Shaft supporter plate |
| 6 | 823110010 | Felt |
| 7 | 820166001 | Lower shaft ring |
| 8 | 805001000 | Upper shaft shielding plate |
| 9 | 000004107 | Spring pin 3x14 |
| 10 | 508054101 | Shaft supporter plate |
| 11 | 508021006 | Upper shaft gear |
| 12 | 000004200 | Spring pin 3x18 |
| 13 | 000024206 | Spring pin 3x30 |
| 14 | 502064003 | Clutch ring |
| 15 | 661024007 | Clutch spring |
| 16 | 508055009 | Belt wheel |
| 17 | 000002806 | Snap ring E-6 |
| 18 | 000081005 | Setscrew 4x8 |
| 19 | 508056011 | Handwheel |
| 20 | 508634008 | Thread take-up lever (unit) |
| 21 | 000115700 | Setscrew TP 4x10 |
| 22 | 508017009 | Needle bar crank rod |
| 23 | 000036005 | Washer FT60 |
| 24 | 805502006 | Thread tension (unit) |
| 25 | 508022007 | Syncro belt S5M |
| 26 | 753234011 | Timing belt |
| 27 | 508617005 | Thread tension set plate (unit) |
| 28 | 508051005 | Thread tension set plate |
| 29 | 508052006 | Thread tension release arm |
| 30 | 639025009 | Thread tension release adjusting arm |
| 31 | 000103808 | Setscrew 3x5 |
| 32 | 000013903 | Snap ring CS-5 |
| 33 | 000115205 | Setscrew TP 4x6 |
| 34 | 810220003 | Setscrew |
| 35 | 639080002 | Thread tension release lever spring |

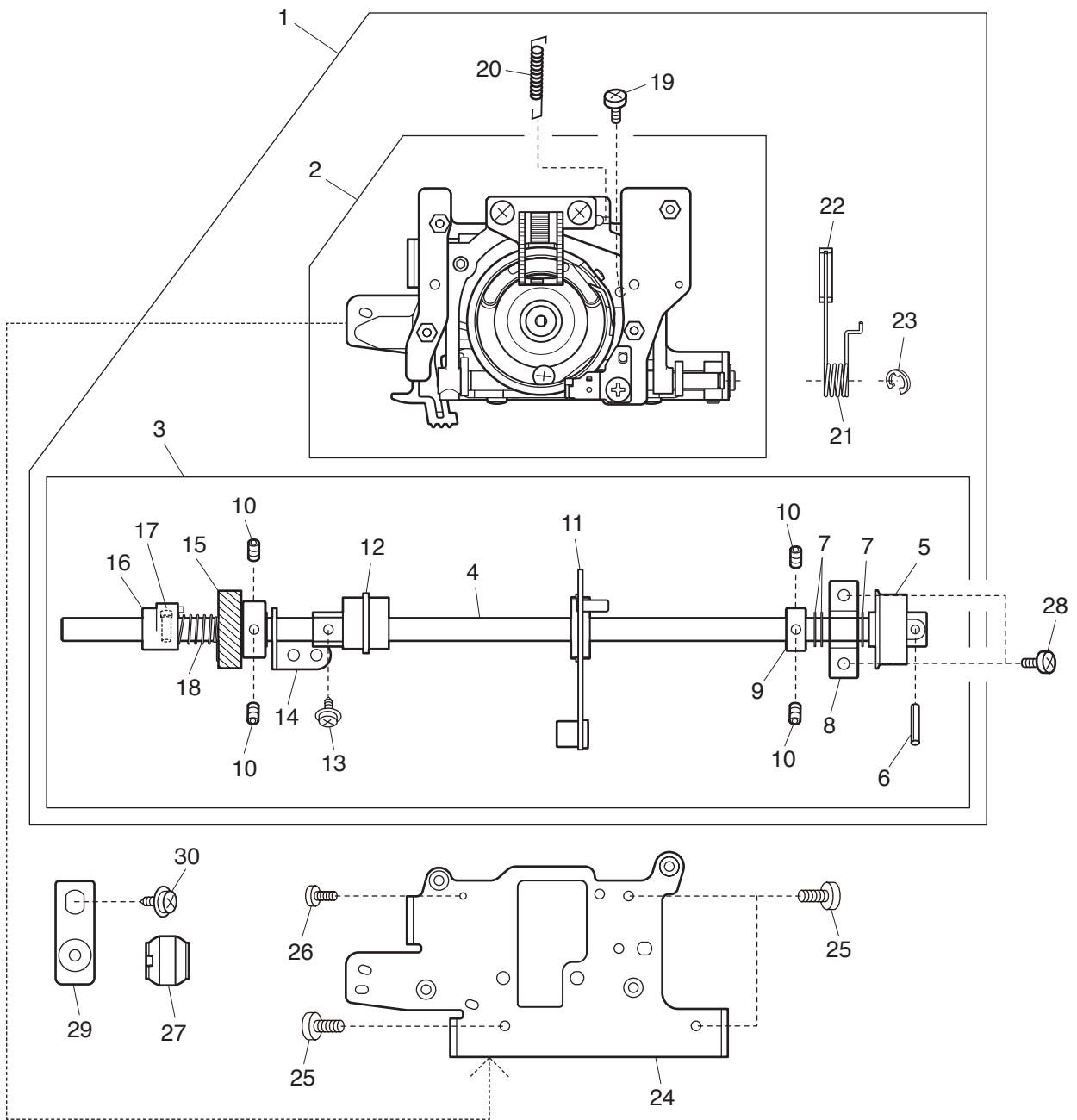
PARTS LIST



PARTS LIST

| KEY NO. | PARTS NO. | DESCRIPTION |
|------------|--------------|-----------------------------------|
| 1 | 508640007 | Presser bar base plate (unit) |
| 2 | 508036004 | Presser bar base plate |
| 3 | 508037005 | Needle drop adjusting plate |
| 4 | 000101507 | Setscrew 3.5x5 |
| 5 | 508040001 | Thread tension release lever |
| 6 | 000013903 | Snap ring CS-5 |
| 7 | 735029004 | Presser foot lifter |
| 8 | 000001609 | Snap ring E-5 |
| 9 | 508002001 | Presser bar |
| 10 | 508038006 | Presser bar spring |
| 11 | 508039007 | Presser bar supporter |
| 12 | 000111500 | Hexagonal socket screw 4x8 |
| 13 | 508641008 | Needle threader (unit) |
| 14 | 508041002 | Needle bar supporter |
| 15 | 648010009 | Setscrew |
| 16 | 000160102 | Adjustable lock nut 4 |
| 17 | 660065007 | Zigzag width rod guide |
| 18 | 000101105 | Setscrew 3x4 |
| 19 | 660100201 | Threader shaft |
| 20 | 000122906 | Guide pin E-2x14-CH |
| 21 | 508152007 | Threader spring |
| 22 | 000003508 | Spring pin 2x8 |
| 23 | 639643009 | Needle threader plate (unit) |
| 24 | 508607002 | Needle bar (unit) |
| 25 | 508509003 | Needle bar connecting stud (unit) |
| 26 | 808011002 | Threader position set plate |
| 27 | 000111902 | Hexagonal socket screw 3x4 |
| 28 | 660068000 | Supporter adjusting plate |
| 29 | 000036500 | Washer FT60 |
| 30 | 650136009 | Ring |
| 31 | 000111201 | Hexagonal socket screw 4x4 |
| 32 | 000101404 | Setscrew 4x6 |
| 33 | 639110002 | Needle bar supporter spring 2 |
| 34 | 000081005 | Setscrew 4x8 |
| 35 | 102408089 | Needle |
| 36 | 660508007 | Presser foot (unit) |
| 37 | 660806008 | Presser foot holder (unit) |
| 38 | 685502019 | Zigzag foot (unit) |
| 39 | 660106001 | Setscrew |
| 40 | 639017008 | Needle bar supporter spring |

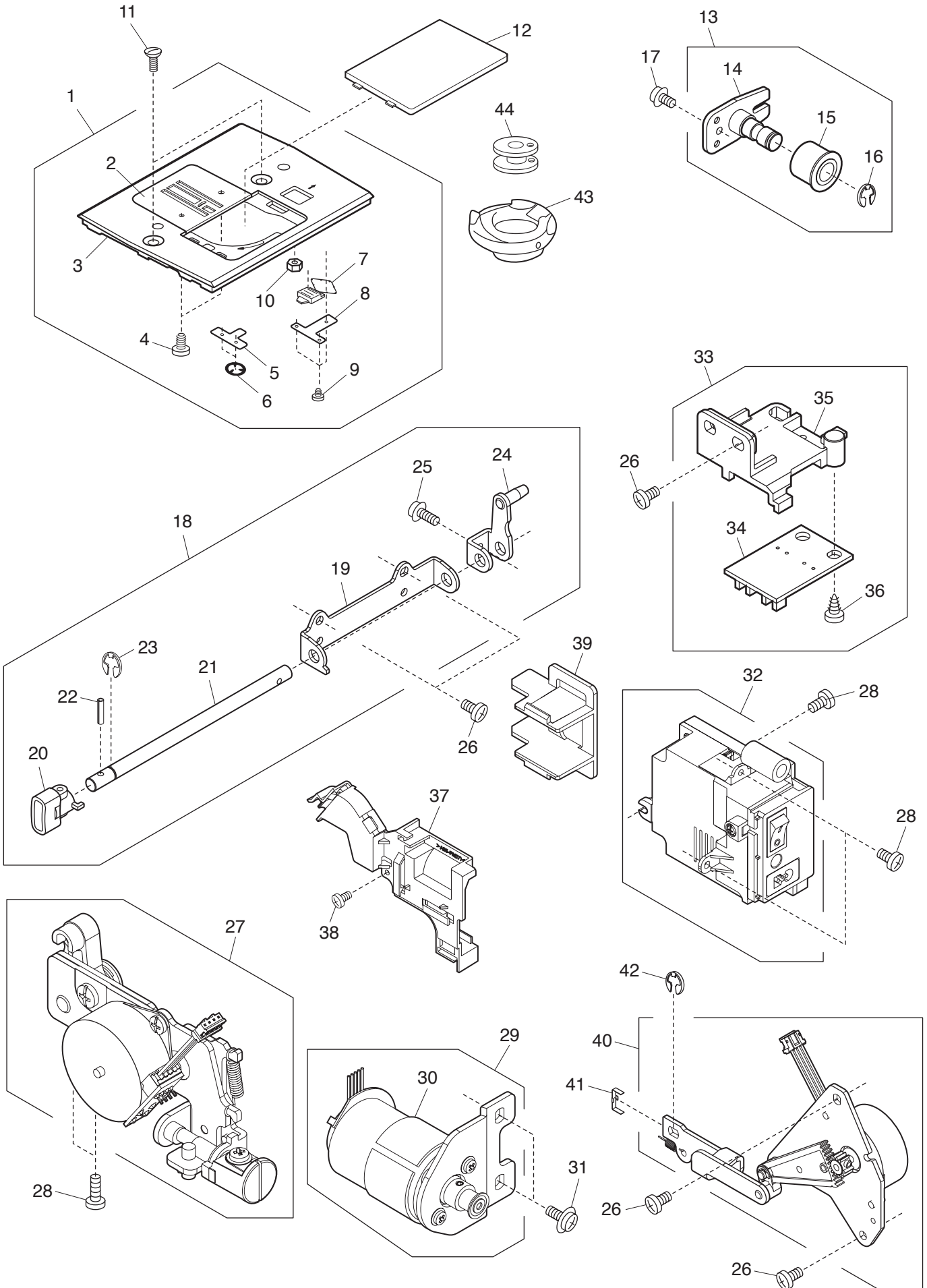
PARTS LIST



PARTS LIST

| KEY NO. | PARTS NO. | DESCRIPTION |
|------------|--------------|-------------------------------|
| 1 | 508636206 | Hook race (whole unit) |
| 2 | 508650000 | Hook race (unit) |
| 3 | 508611308 | Lower shaft (unit) |
| 4 | 508058002 | Lower shaft |
| 5 | 508021006 | Upper shaft gear |
| 6 | 000004200 | Spring pin 3x18 |
| 7 | 508146008 | Washer |
| 8 | 508054101 | Shaft supporter plate |
| 9 | 820166001 | Lower shaft ring |
| 10 | 000111201 | Hexagonal socket screw 4x4 |
| 11 | 508610008 | Feed fork (unit) |
| 12 | 508200001 | Feed cam |
| 13 | 000115009 | Setscrew TP 3x8 |
| 14 | 508098004 | Lower shaft supporter plate |
| 15 | 808137005 | Lower shaft gear |
| 16 | 503165008 | Feed lifting cam |
| 17 | 820161006 | Feed lifting pin |
| 18 | 508113006 | Feed lifting cam spring |
| 19 | 000103705 | Setscrew 4x5 |
| 20 | 508063000 | Feed base spring |
| 21 | 508065002 | Feed fork spring |
| 22 | 751152018 | Feed fork spring plate |
| 23 | 000002507 | Snap ring E-4 |
| 24 | 508059003 | Hook race supporter plate |
| 25 | 000101703 | Setscrew 4x12 |
| 26 | 000081500 | Setscrew 3x12 |
| 27 | 732034003 | Lower shaft bushing |
| 28 | 000081005 | Setscrew 4x8 |
| 29 | 502204007 | Lower shaft bushing set plate |
| 30 | 000115504 | Setscrew TP 5x10 |

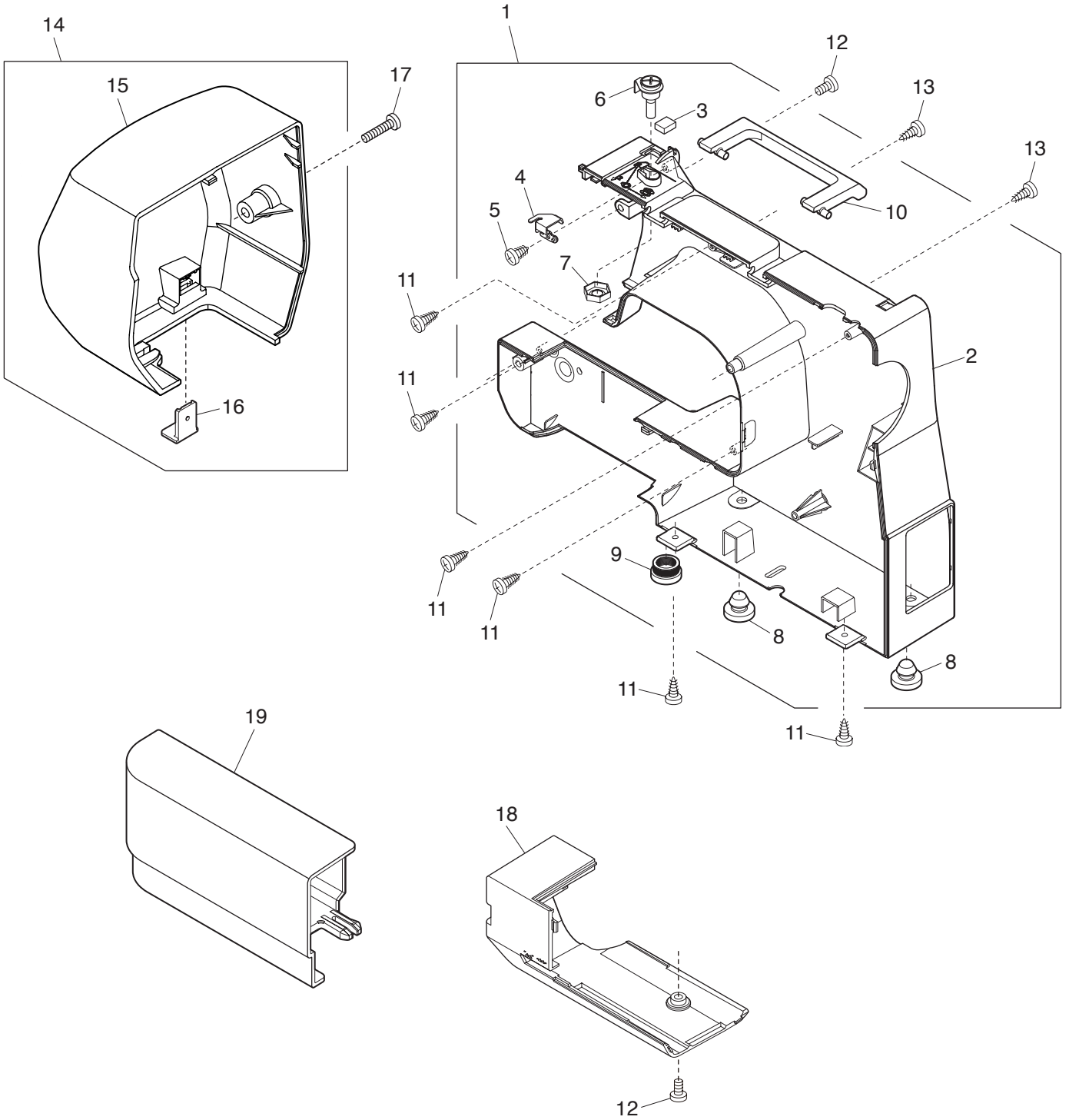
PARTS LIST



PARTS LIST

| KEY NO. | PARTS NO. | DESCRIPTION |
|------------|--------------|--|
| 1 | 508612000 | Needle plate (unit) |
| 2 | 508033104 | Needle plate |
| 3 | 508034002 | Support needle plate |
| 4 | 000163703 | Setscrew 2x3.5 |
| 5 | 502015009 | Spring |
| 6 | 000015503 | Snap ring CS-2.4 |
| 7 | 502016000 | Hook cover plate release button |
| 8 | 502202005 | Supporter plate |
| 9 | 000130206 | Setscrew 1.7x2.5 (B) |
| 10 | 508116009 | Nut |
| 11 | 820390109 | Setscrew |
| 12 | 846271103 | Hook cover plate |
| 13 | 508614002 | Idler (unit) |
| 14 | 508073003 | Idler set plate |
| 15 | 625217100 | Idler |
| 16 | 000002806 | Snap ring E-6 |
| 17 | 000115607 | Setscrew TP 4x8 |
| 18 | 805603008 | Feed regulator (unit) |
| 19 | 508095001 | Feed regulator shaft supporter |
| 20 | 508067004 | Feed regulator |
| 21 | 805006005 | Feed regulator shaft |
| 22 | 000021801 | Spring pin 2.5x12 |
| 23 | 000001609 | Snap ring E-5 |
| 24 | 805007006 | Feed regulator arm |
| 25 | 000115906 | Setscrew TP 3x12 |
| 26 | 000081005 | Setscrew 4x8 |
| 27 | 805604009 | Feed motor (unit) |
| 28 | 000103509 | Setscrew 4x10 |
| 29 | 805610008 | DC motor (unit) |
| 30 | 808502119 | DC motor |
| 31 | 000115504 | Setscrew TP 5x10 |
| 32 | 805612000 | Switching regulator (unit) |
| 33 | 805606001 | Printed circuit board P set plate (unit) |
| 34 | 808504029 | Printed circuit board P (unit) |
| 35 | 805002001 | Printed circuit board P set plate |
| 36 | 000120203 | Setscrew 3x8 (B) |
| 37 | 805005004 | Cord guide 1 |
| 38 | 000078320 | Setscrew 3x6 |
| 39 | 805029004 | Cord guide 2 |
| 40 | 805602007 | Zigzag width motor (unit) |
| 41 | 639098003 | Zigzag width rod back plate |
| 42 | 000002105 | Snap ring E-3 |
| 43 | 627569106 | Bobbin holder |
| 44 | 102261000 | Bobbin |

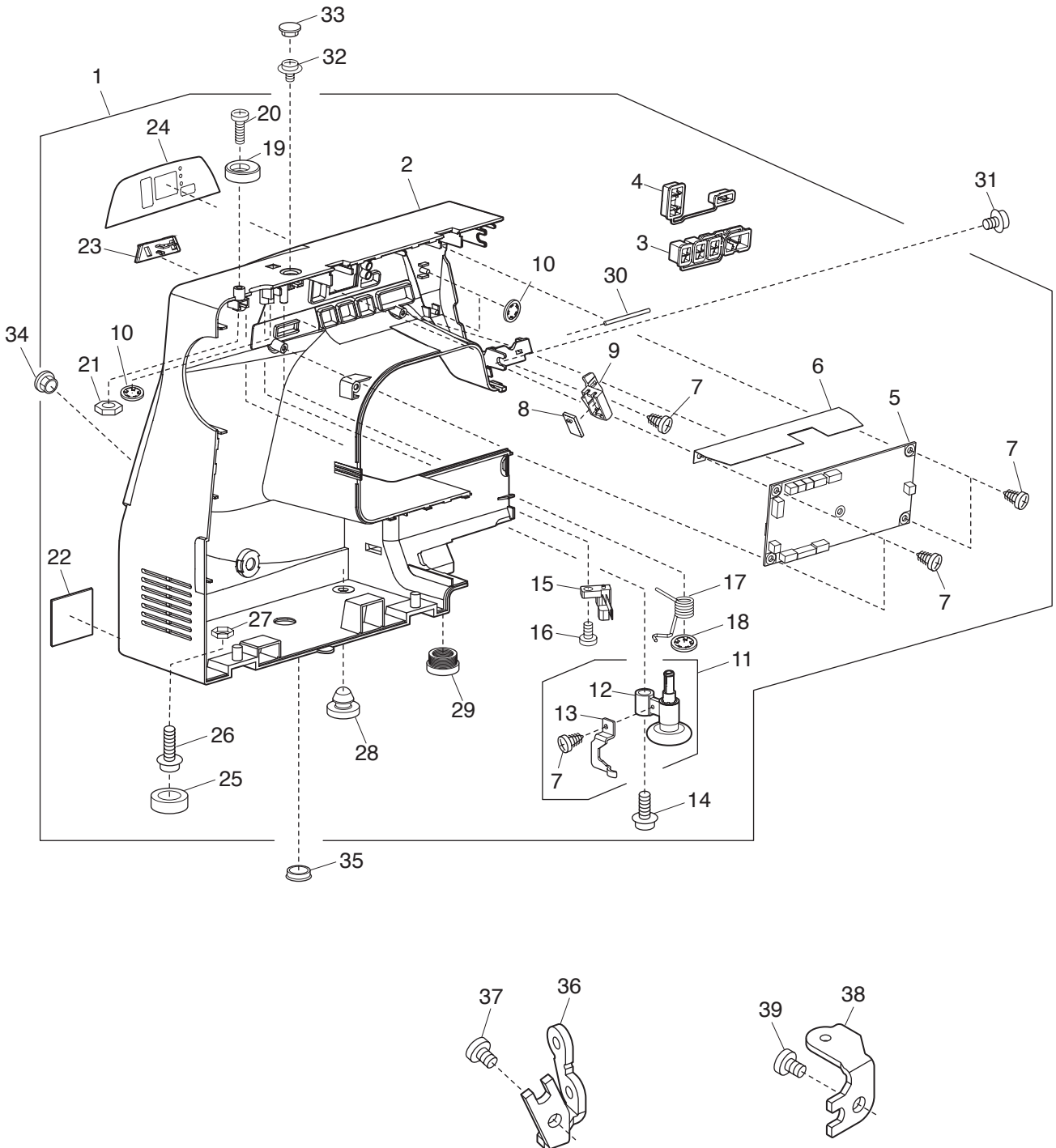
PARTS LIST



PARTS LIST

| KEY NO. | PARTS NO. | DESCRIPTION |
|------------|--------------|---------------------------|
| 1 | 805607301 | Rear cover (unit) |
| 2 | 805016A04 | Rear cover |
| 3 | 660077002 | Felt |
| 4 | 660618001 | Thread guide plate (unit) |
| 5 | 000107307 | Setscrew 3x8 (B) |
| 6 | 730501011 | Thread guide (unit) |
| 7 | 000160102 | Adjustable lock nut 4 |
| 8 | 525121000 | Rubber base |
| 9 | 525122001 | Rubber base |
| 10 | 508028003 | Carrying handle |
| 11 | 000161309 | Setscrew 3x12 (B) |
| 12 | 000081005 | Setscrew 4x8 |
| 13 | 000108308 | Setscrew 4x20 |
| 14 | 805616004 | Face cover (unit) |
| 15 | 805040001 | Face cover |
| 16 | 840602006 | Thread cutter (unit) |
| 17 | 000104108 | Setscrew 4x20 |
| 18 | 805028003 | Bed cover |
| 19 | 805023008 | Extension table (unit) |

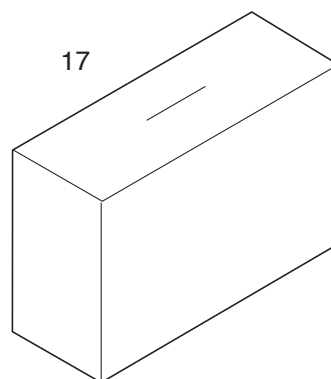
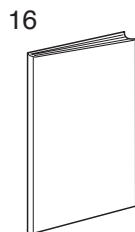
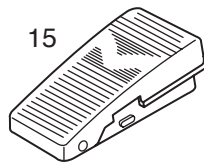
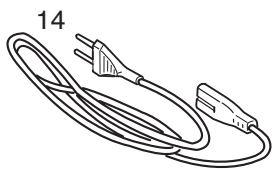
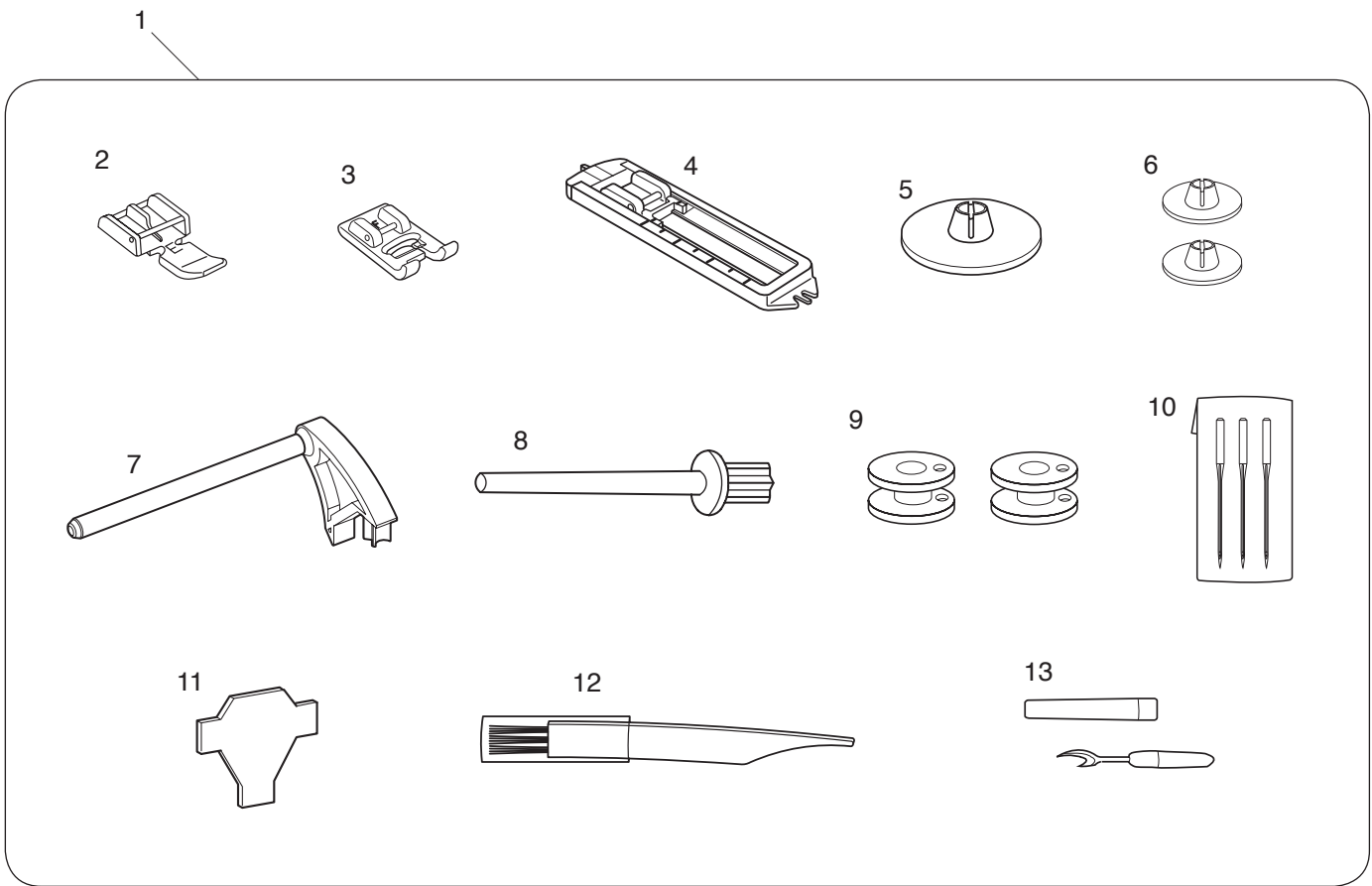
PARTS LIST



PARTS LIST

| KEY NO. | PARTS NO. | DESCRIPTION |
|------------|--------------|----------------------------------|
| 1 | 805615003 | Front cover (unit) |
| 2 | 805035A01 | Front cover |
| 3 | 805036A01 | Button 1 |
| 4 | 805037A01 | Button 2 |
| 5 | 805501201 | Printed circuit board A (unit) |
| 6 | 805021006 | Flame retardant insulating paper |
| 7 | 000120203 | Setscrew 3x8 (B) |
| 8 | 808506205 | Printed circuit board L (unit) |
| 9 | 808057000 | Lamp holder |
| 10 | 000014306 | Snap ring CS-3 |
| 11 | 508620001 | Bobbin winder (unit) |
| 12 | 508507001 | Bobbin winder arm (unit) |
| 13 | 508111004 | Clutch lever |
| 14 | 000109103 | Setscrew 4x12 |
| 15 | 856501106 | Leaf switch (unit) |
| 16 | 000120306 | Setscrew 2.6x8 (B) |
| 17 | 508030008 | Spring |
| 18 | 000013903 | Snap ring CS-5 |
| 19 | 735016307 | Bobbin winder stopper |
| 20 | 000101817 | Setscrew 4x16 |
| 21 | 000061205 | Nut 4-3-7 |
| 22 | 805042A01 | Logo panel |
| 23 | 805020005 | Slide volume |
| 24 | 805039A01 | Ornamental panel |
| 25 | 639005003 | Rubber foot |
| 26 | 000201405 | Setscrew TP 4x16 |
| 27 | 000160102 | Adjustable lock nut 4 |
| 28 | 525121000 | Rubber base |
| 29 | 525122001 | Rubber base |
| 30 | 806029007 | Thread guide |
| 31 | 000115205 | Setscrew TP 4x6 |
| 32 | 000114709 | Setscrew TP 3x6 |
| 33 | 653006101 | Cap |
| 34 | 805022007 | SS adjusting cap |
| 35 | 797141201 | Cap |
| 36 | 508093009 | Front cover set plate |
| 37 | 000101404 | Setscrew 4x6 |
| 38 | 639080002 | Front cover set plate |
| 39 | 000081005 | Setscrew 4x8 |

PARTS LIST



PARTS LIST

| KEY NO. | PARTS NO. | DESCRIPTION |
|------------|--------------|---------------------------------|
| 1 | 805870019 | Standard accessories |
| 2 | 808852003 | Zipper foot E |
| 3 | 822804118 | Satin stitch foot F |
| 4 | 508803000 | Sliding buttonhole foot |
| 5 | 822020503 | Spool holder (large) |
| 6 | 822019509 | Spool holder (small) |
| 7 | 660005010 | Spool pin |
| 8 | 625031500 | Extra spool pin |
| 9 | 102261000 | Bobbin |
| 10 | 639804000 | Assorted needle set |
| 11 | 653802002 | Screwdriver |
| 12 | 739616006 | Lint brush (unit) |
| 13 | 647808009 | Seam ripper (Buttonhole opener) |
| 14 | 830335004 | Power cable |
| 15 | 808550008 | Foot control |
| 16 | 805800133 | Instruction book (English) |
| | 805800144 | Instruction book (French) |
| | 805800155 | Instruction book (German) |
| 17 | 743812100 | Cover |