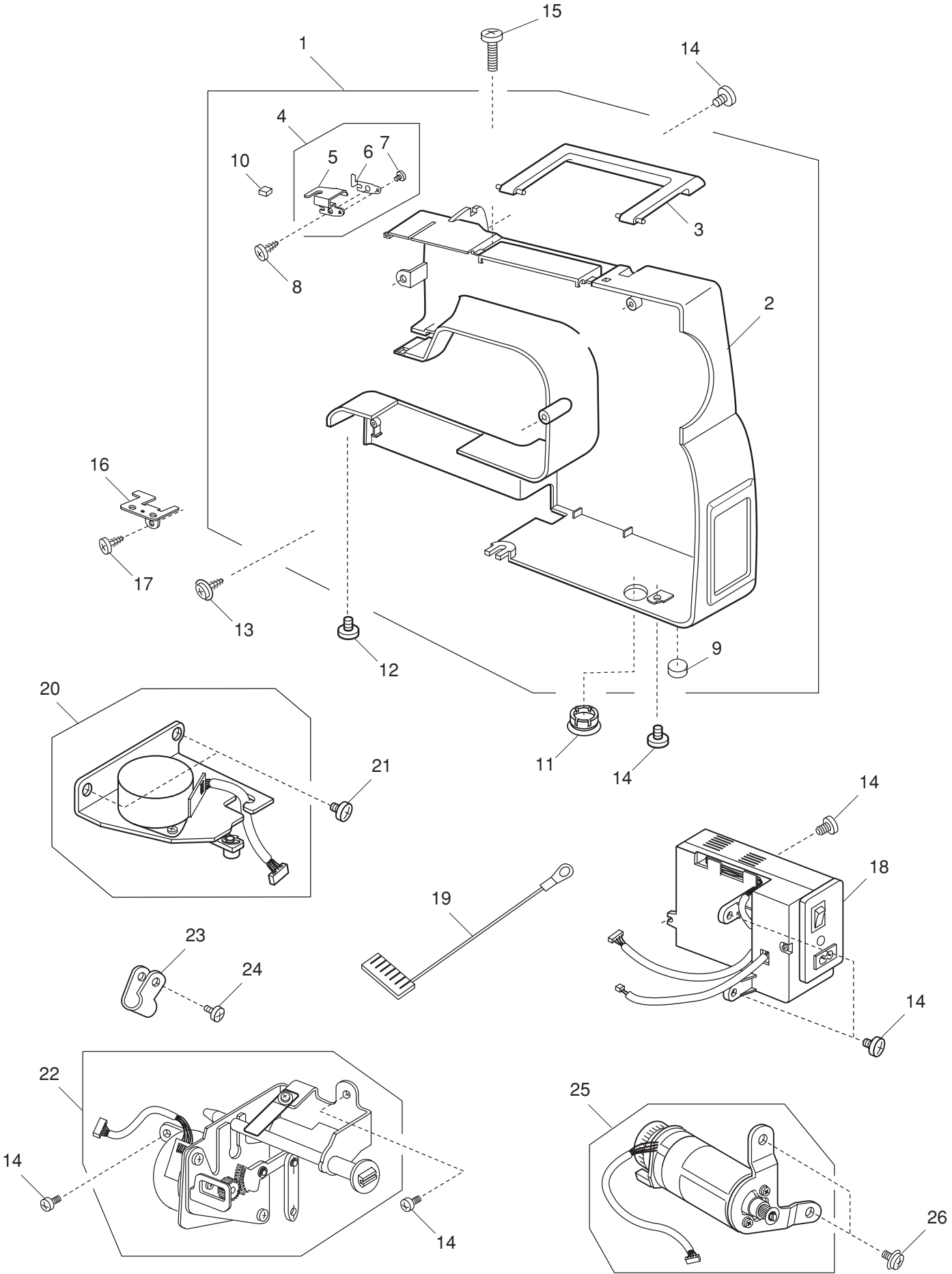


# **PARTS LIST**

**MODEL: eIna Star**

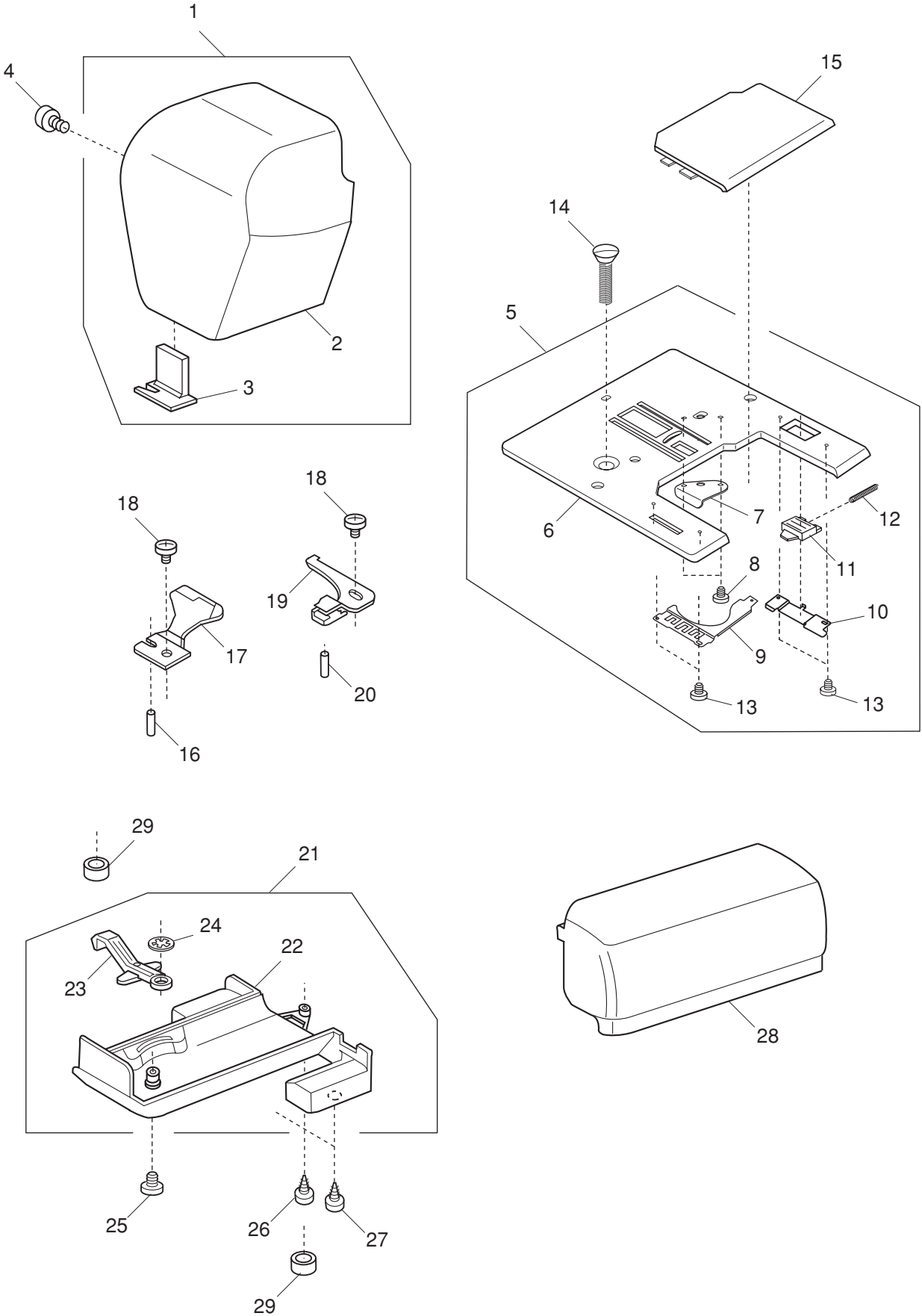
# PARTS LIST



# PARTS LIST

KEY NO.	PARTS NO.	DESCRIPTION
1	806601607	Rear cover (unit)
2	806001151	Rear cover
3	661010000	Handle
4	660618001	Thread guide (unit)
5	660046002	Thread guide
6	660047003	Spring
7	820374004	Setscrew 2x2.3
8	000161103	Setscrew 3x6 (B)
9	806002004	Rubber foot
10	660077002	Felt
11	733003202	Cap
12	000115205	Setscrew TP 4x6
13	000149507	Setscrew 3x12
14	000081005	Setscrew 4x8
15	000103510	Setscrew 4x10
16	661012002	Handle set plate
17	000198604	Setscrew 4x14 (B)
18	806505105	Switching regulator (unit)
19	806512002	Cord
20	806607005	Stepping motor (unit)
21	000101404	Setscrew 4x6
22	806605003	Stepping motor (Feed) (unit)
23	000188601	Nylon clip
24	000103705	Setscrew 4x5
25	806611002	Driving motor (unit)
26	000115504	Setscrew 5x10

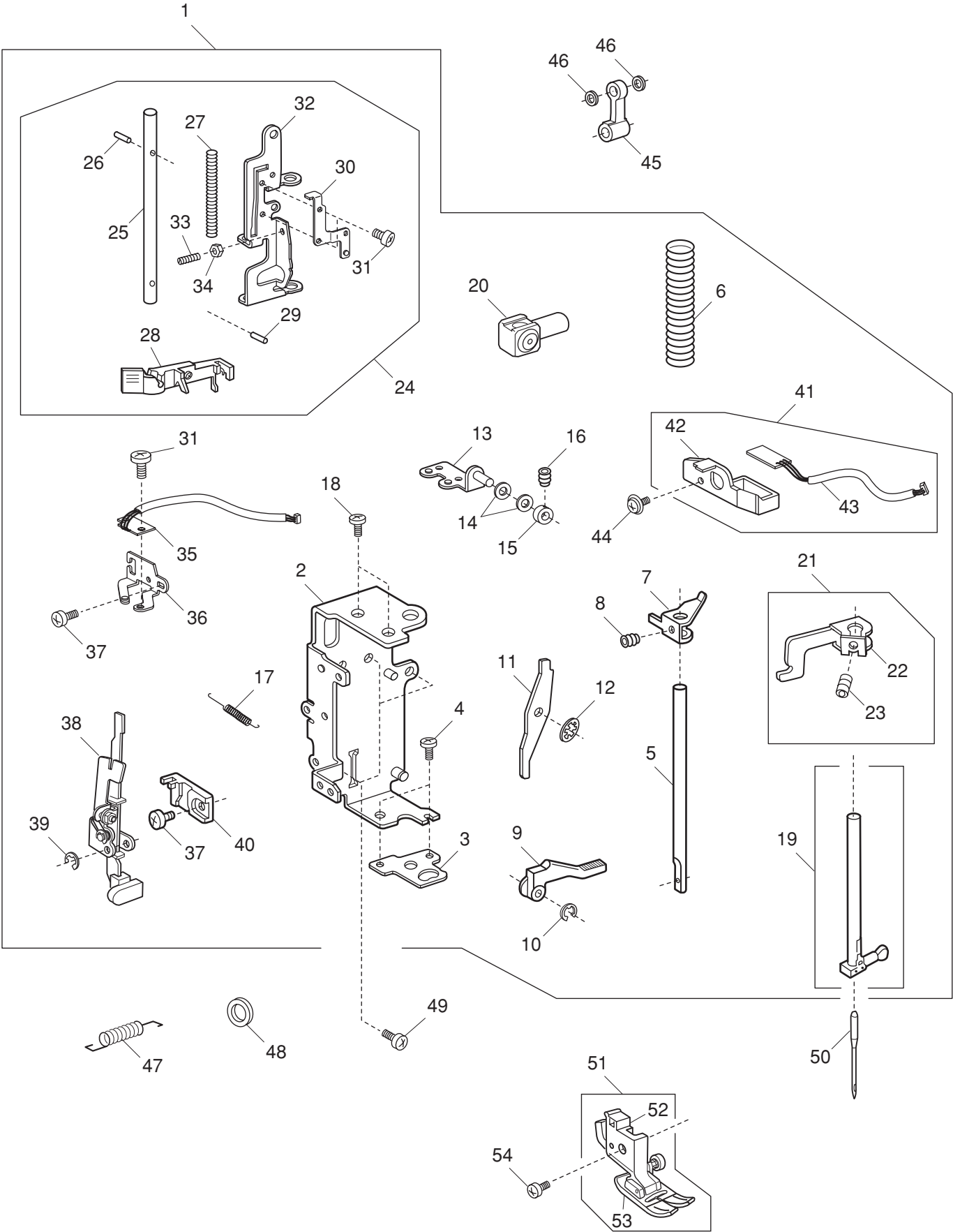
# PARTS LIST



# PARTS LIST

KEY NO.	PARTS NO.	DESCRIPTION
1	806602804	Face cover (unit)
2	806004A01	Face cover
3	840602006	Thread cutter (unit)
4	000105419	Setscrew 4x20
5	751603307	Needle plate (unit)
6	653179209	Needle plate
7	654078004	Bobbin holder set plate
8	820373003	Setscrew 2x3
9	832235010	Hook cover set plate (Left)
10	825015010	Hook cover set plate (Right)
11	825016000	Hook cover release button
12	825017001	Hook cover release button spring
13	820374004	Setscrew 2x2.3
14	681009101	Setscrew
15	750036012	Hook cover plate
16	000122504	Pin D3x10CH
17	827011001	Reverse stopper
18	810220003	Setscrew
19	627567001	Stopper (unit)
20	000122700	Pin D2.5x6-LC
21	661609002	Bed cover (unit)
22	660006033	Bed cover
23	753005000	Drop feed lever
24	000013903	Snap ring CS-5
25	000101703	Setscrew 4x12
26	000121905	Setscrew 4x12 (B)
27	000120203	Setscrew 3x8 (B)
28	806003005	Extension table (unit)
29	739064003	Rubber foot base

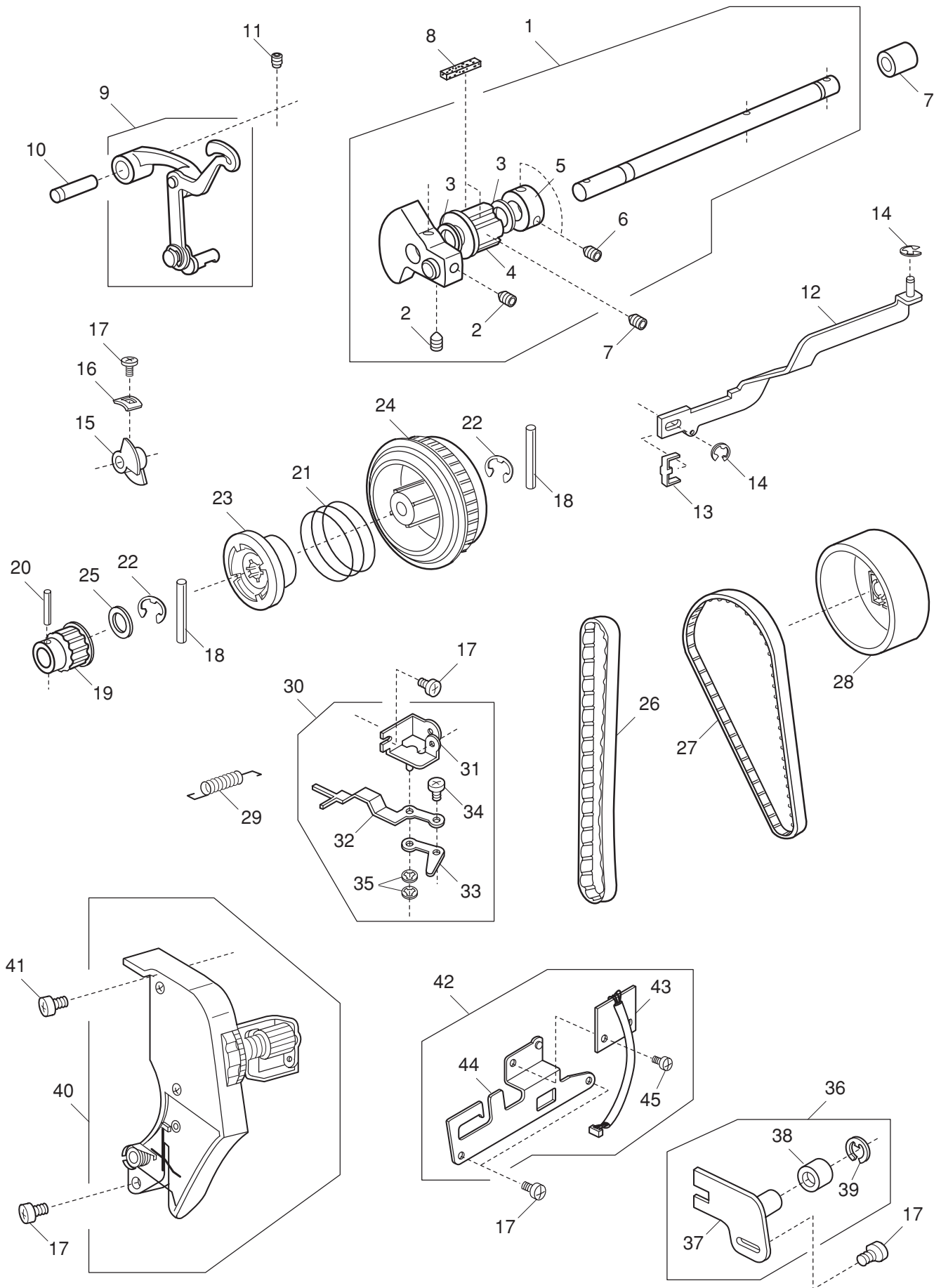
# PARTS LIST



# PARTS LIST

KEY NO.	PARTS NO.	DESCRIPTION
1	806603104	Presser bar plate (unit)
2	806005007	Presser bar plate
3	660105103	Needle drop positioning plate
4	000101507	Setscrew 3.5x5
5	660104009	Presser bar
6	735027002	Presser bar spring
7	735028003	Presser bar bracket
8	000111500	Hexagonal socket screw 4x8
9	735029015	Presser foot lifter
10	000001609	Snap ring E-5
11	639012003	Tension release lever
12	000013903	Snap ring CS-5
13	660068000	Supporter adjusting plate
14	000036500	Washer FT60
15	650136009	Ring
16	000111201	Hexagonal socket screw 4x4
17	639110002	Supporter spring (2)
18	000101404	Setscrew 4x6
19	660620109	Needle bar (unit)
20	639516002	Needle bar connection stud (unit)
21	807607008	Threader positioning plate (unit)
22	807018006	Threader positioning plate
23	000111902	Hexagonal socket screw 3x4
24	660654102	Needle threader (unit)
25	660100108	Threader shaft
26	000122906	Pin E-2x14
27	806040004	Threader spring
28	639643102	Needle threader plate (unit)
29	000003508	Setscrew 1.6x2.5
30	660065018	Zigzag rod guide
31	000101105	Setscrew 3x4
32	660064202	Needle bar supporter
33	648010009	Setscrew
34	000160102	Adjustable lock nut 4
35	843502200	Circuit board E1 (unit)
36	806006008	Sensor bracket
37	000103808	Setscrew 3x5
38	843625303	BH lever (unit)
39	000002105	Snap ring E-3
40	830057021	BH lever guide
41	806610001	Printed circuit board L (unit)
42	806032003	L board cover
43	806506003	Printed circuit board L (unit)
44	000115205	Setscrew TP 4x6
45	639016007	Needle bar crank rod
46	000036902	Washer FT80
47	806008000	Supporter spring
48	000037800	Washer FT40
49	000081005	Setscrew 4x8
50	102408089	Needle HA1-14
51	755506002	Presser foot (unit)
52	660806008	Presser foot holder (unit)
53	751511008	Zigzag foot (unit)
54	660106001	Setscrew

# PARTS LIST

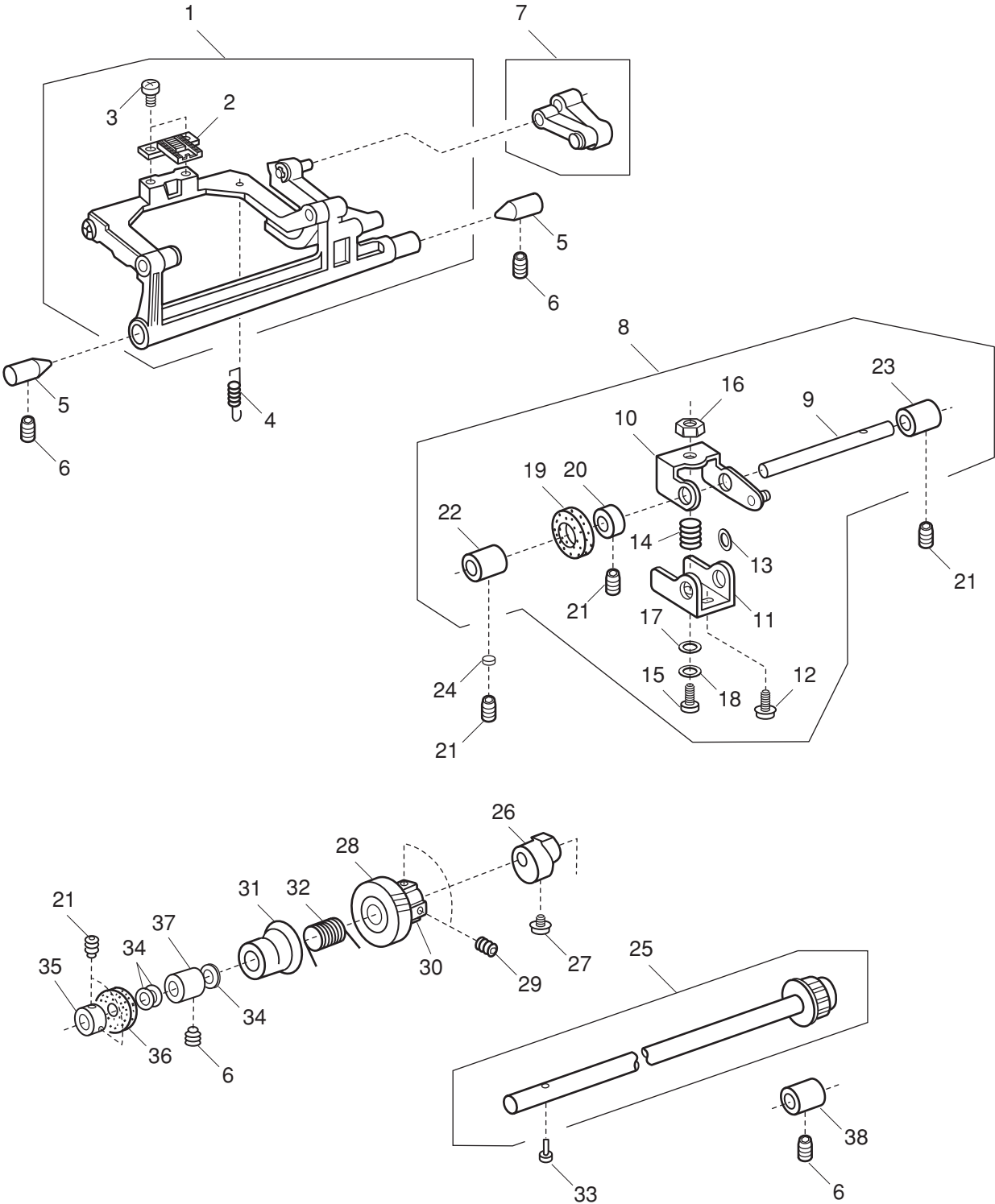




# PARTS LIST

KEY NO.	PARTS NO.	DESCRIPTION
1	661616105	Upper shaft (unit)
2	000110901	Hexagonal socket screw 5x4
3	000036717	Washer FT102
4	829042007	Upper shaft bushing (Front)
5	639095000	Ring
6	000111304	Hexagonal socket screw 5x5
7	673062004	Upper shaft rear bushing
8	731384008	Felt
9	660510013	Thread take-up lever (unit)
10	647040108	Thread take-up lever pin (unit)
11	000111201	Hexagonal socket screw 4x4
12	806021009	Zigzag rod
13	639098003	Zigzag rod set plate
14	000002105	Snap ring E-3
15	806010005	Upper shaft shield plate
16	820102009	Washer
17	000081005	Setscrew 4x8
18	000024206	Spring pin 3x30
19	660103008	Upper shaft timing gear
20	000020501	Spring pin 3x22
21	661024007	Clutch spring
22	000002909	Snap ring E-7
23	661020003	Clutch ring
24	661019009	Belt wheel
25	639119001	Felt
26	660017015	Timing belt
27	653139023	Timing belt
28	844077008	Hand wheel
29	639026000	Spring
30	661603006	Thread tension bracket (unit)
31	661004001	Thread tension bracket
32	639024008	Thread tension releasing arm
33	639025009	Adjusting arm
34	000103808	Setscrew 3x5
35	000013903	Snap ring CS-5
36	660609009	Idler (unit)
37	660018005	Idler base
38	625217100	Idler
39	000002806	Snap ring E-6
40	806501008	Thread tension (unit)
41	810220003	Setscrew
42	806609007	Upper shaft sensor (unit)
43	843505502	Circuit board P
44	806031002	Upper shaft sensor set plate
45	000101105	Setscrew 3x4

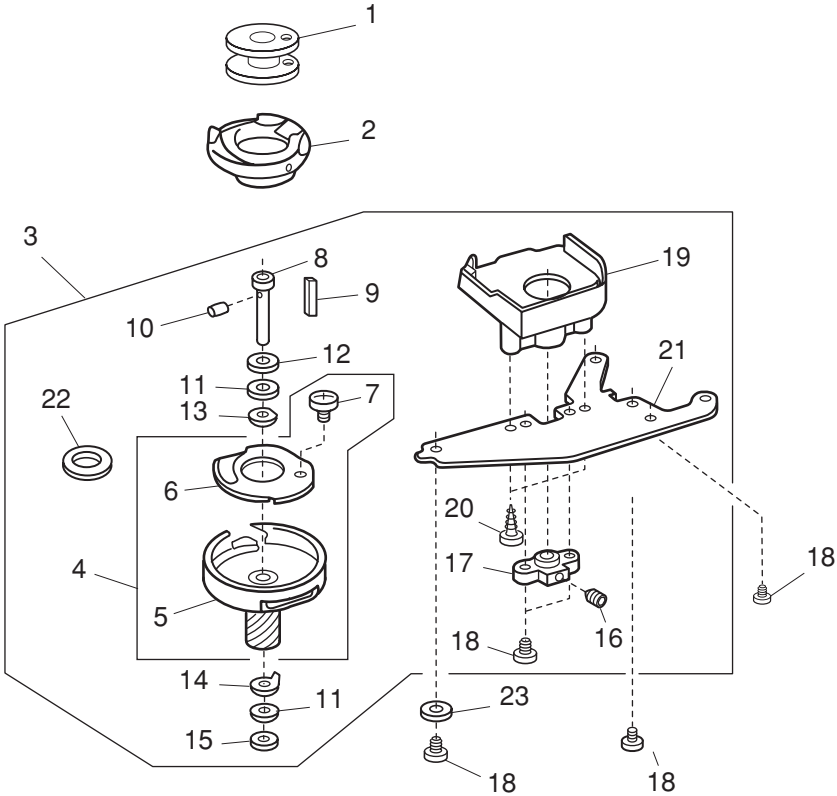
# PARTS LIST



## PARTS LIST

KEY NO.	PARTS NO.	DESCRIPTION
1	751666009	Feed shaft (unit)
2	653193003	Feed dog
3	000104005	Setscrew 3.5x8
4	650085002	Feed bar spring
5	749024002	Straight center pin
6	000111304	Hexagonal socket screw 5x5
7	650612004	Feed regulator (unit)
8	806604002	Feed shaft (unit)
9	660023106	Feed shaft
10	806011006	Feed arm (1)
11	825261002	Feed arm (2)
12	000115906	Setscrew TP 3x12
13	810207004	Spring washer
14	589040002	BH feed adjusting spring
15	827086007	Feed arm screw
16	000160102	Adjustable nut 4
17	000071013	Washer
18	000036407	Washer
19	823110009	Felt
20	820387000	Ring
21	000111201	Hexagonal socket screw 4x4
22	625144002	Feed shaft bushing (front)
23	650092002	Feed shaft bushing (rear)
24	650175000	Cushion
25	660610106	Lower shaft (unit)
26	751148000	Feed cam
27	000115009	Setscrew TP 3x8
28	508023008	Lower shaft gear
29	000111108	Hexagonal socket screw 4x6
30	508020005	Ring
31	753183025	Feed lifting cam
32	686035008	Feed lifting cam spring
33	820161006	Feed lifting pin
34	000038502	Washer
35	820166001	Ring
36	735143005	Felt
37	650078002	Lower shaft bushing (front)
38	650079003	Lower shaft bushing (rear)

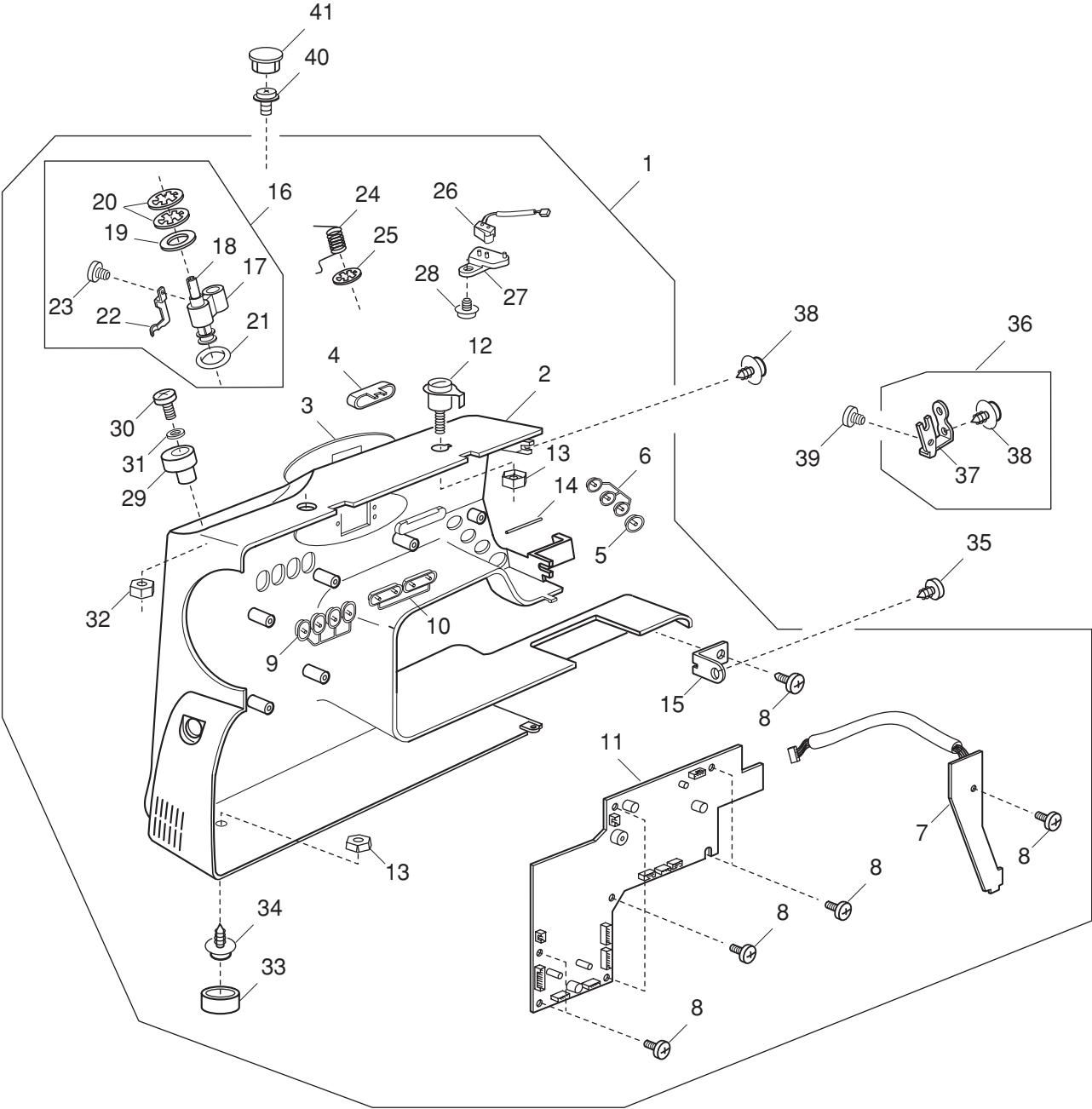
# PARTS LIST



# PARTS LIST

KEY NO.	PARTS NO.	DESCRIPTION
1	102261000	Bobbin
2	627569106	Bobbin holder (unit)
3	660655022	Hook race (unit)
4	660536004	Hook body (unit)
5	508514001	Hook body (unit)
6	508137006	Hook bottom plate
7	820374004	Setscrew 2x2.3
8	820123006	Hook race shaft
9	820124007	Oil string (1)
10	820125008	Oil string (2)
11	000038409	Thrust washer
12	508118001	Washer
13	508139008	Magnet set plate
14	627192001	Washer
15	625102008	Washer
16	000111304	Hexagonal socket screw 5x5
17	650094004	Hook race shaft base
18	000081005	Setscrew 4x8
19	827040009	Cover
20	000107204	Setscrew 3x12 (B)
21	823106002	Hook race set plate
22	627190010	Magnet
23	000070506	Washer

# PARTS LIST

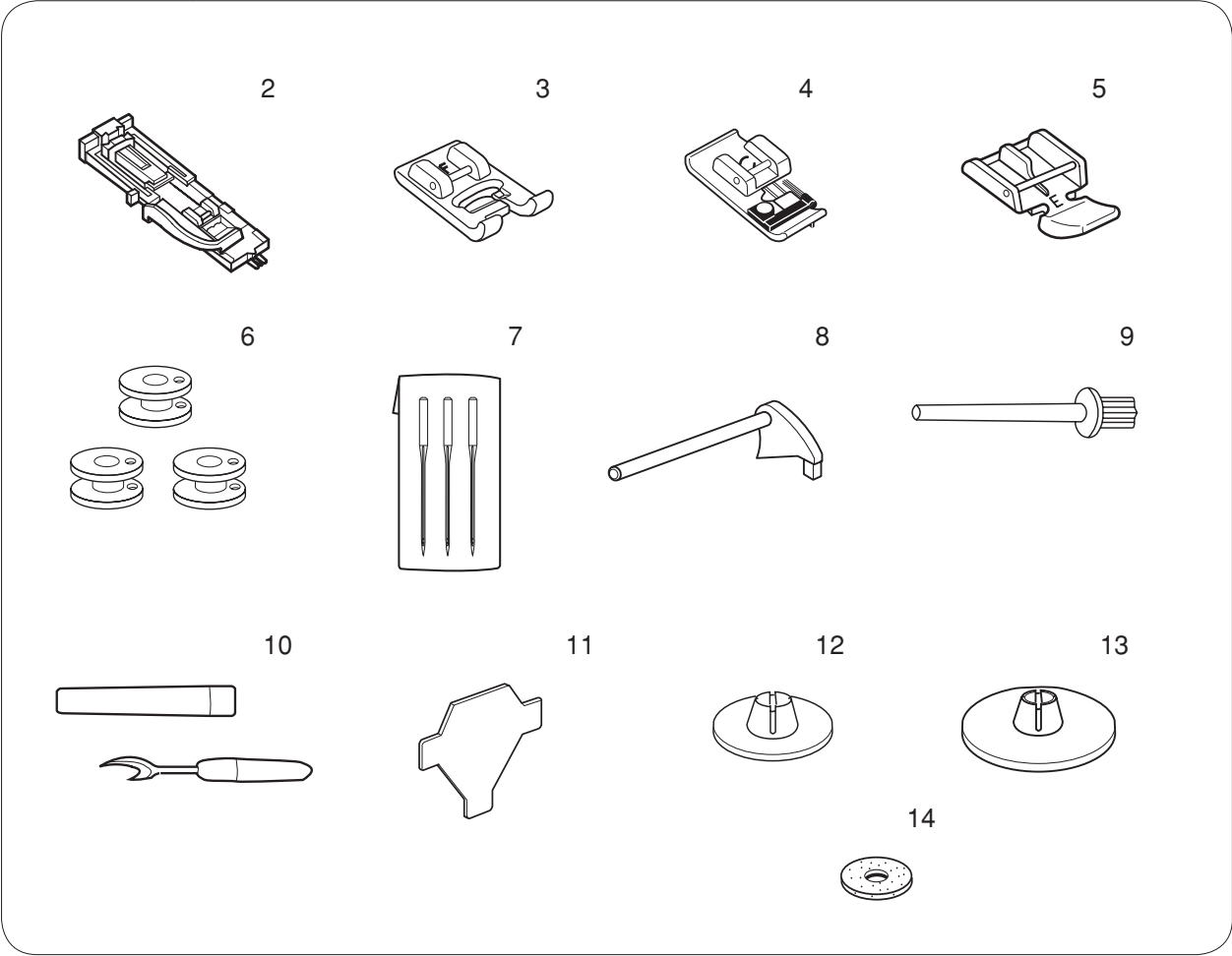


# PARTS LIST

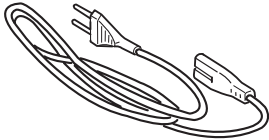
KEY NO.	PARTS NO.	DESCRIPTION
1	806608084	Front cover (unit)
2	806022192	Front cover
3	806079002	Indicator window
4	806024002	Slide volume (unit)
5	806025117	Start/Stop button
6	806026406	Button (1)
7	806503000	Circuit board F (unit)
8	000120203	Setscrew 3x8 (B)
9	806027500	Button (2)
10	806028501	Button (3)
11	806401018	Circuit board A (unit)
12	730501022	Thread guide (unit)
13	000160102	Adjustable nut 4
14	806029007	Thread guide
15	827069004	Front cover set plate (bottom)
16	661605112	Bobbin winder (unit)
17	639076108	Bobbin winder
18	661007107	Bobbin winder spindle
19	000036902	Washer
20	000014409	Snap ring CS-8
21	639078007	Bobbin winder rubber
22	661021004	Clutch lever
23	000078319	Setscrew 3x6
24	661025008	Bobbin winder arm spring
25	000013903	Snap ring CS-5
26	660518907	Micro switch (unit)
27	660091002	Switch set plate
28	000109103	Setscrew 4x12
29	652016101	Bobbin winder stopper
30	000101828	Setscrew 4x16
31	000071013	Plain washer
32	000061205	Nut 4-3-7
33	639005003	Rubber foot
34	000201405	Setscrew 4x16
35	000081005	Setscrew 4x8
36	806612003	Front cover set plate (unit)
37	806030001	Front cover set plate
38	000115205	Setscrew TP 4x6
39	000101404	Setscrew 4x6
40	000114709	Setscrew TP 3x6
41	653006101	Cap

# PARTS LIST

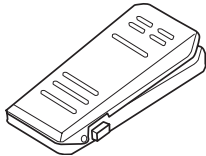
1



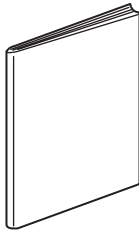
15



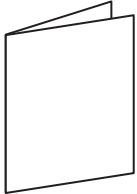
16



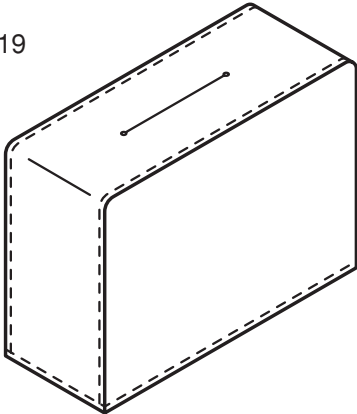
17



18



19



16



# PARTS LIST

KEY NO.	PARTS NO.	DESCRIPTION
1	806878009	Accessory (unit)
2	753801004	Buttonhole foot (unit)
3	822804118	Satin stitch foot (unit)
4	822801001	Overedge foot (unit)
5	829801002	Zipper foot (unit)
6	102261000	Bobbin
7	639804000	Needle set
8	660005010	Spool pin
9	625031500	Spool pin
10	647808009	Seam ripper (unit)
11	653802002	Screwdriver
12	822019509	Spool holder (small)
13	822020503	Spool holder (large)
14	102403109	Felt
15	830335004	Power supply cord
16	033570330	Foot controller
17	806800343	Instruction book (English/French/German)
	806800365	Instruction book (Spanish)
18	806810003	Manual
19	661802007	Cover