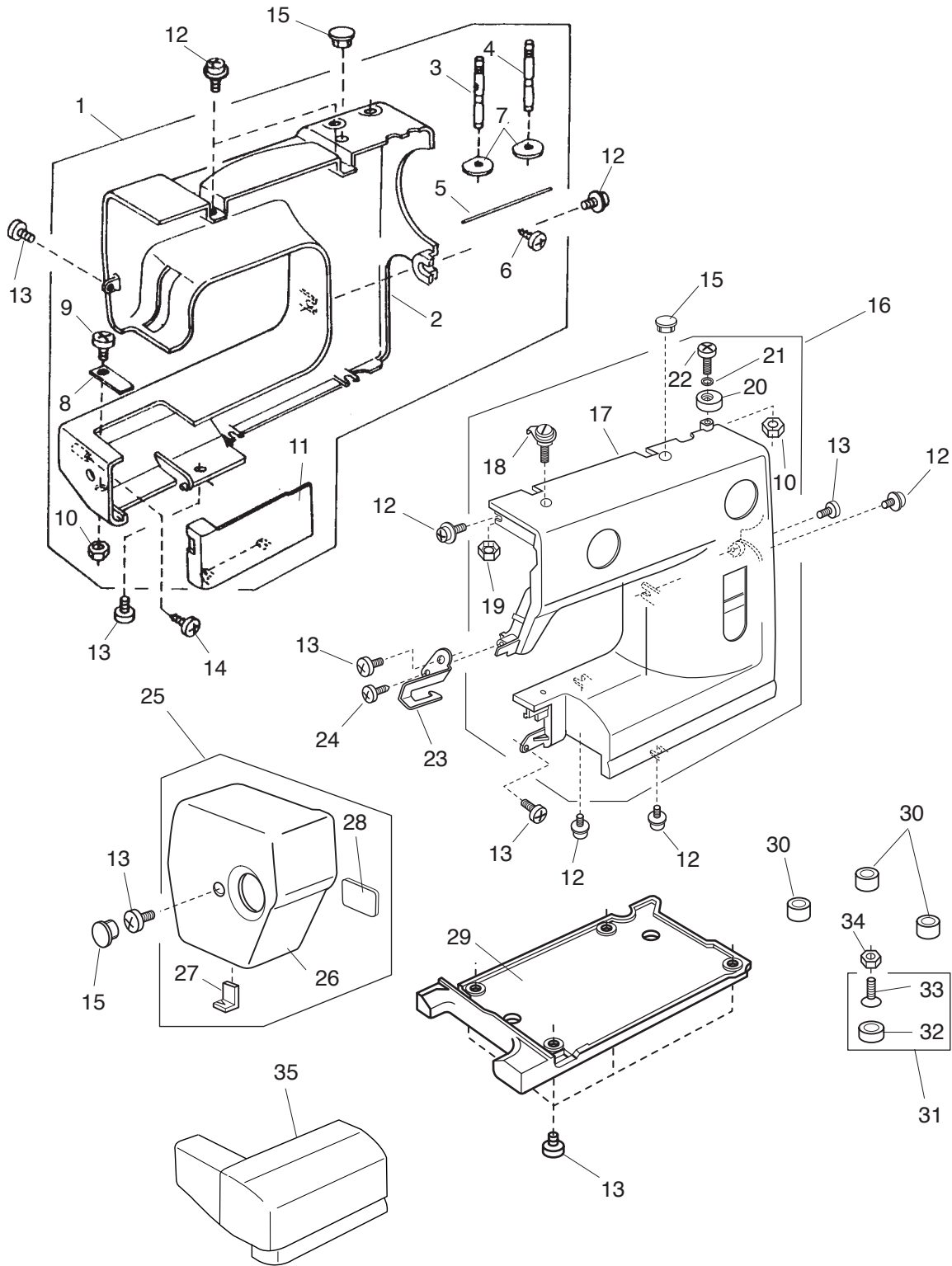


PARTS LIST

MODEL 2300

elna

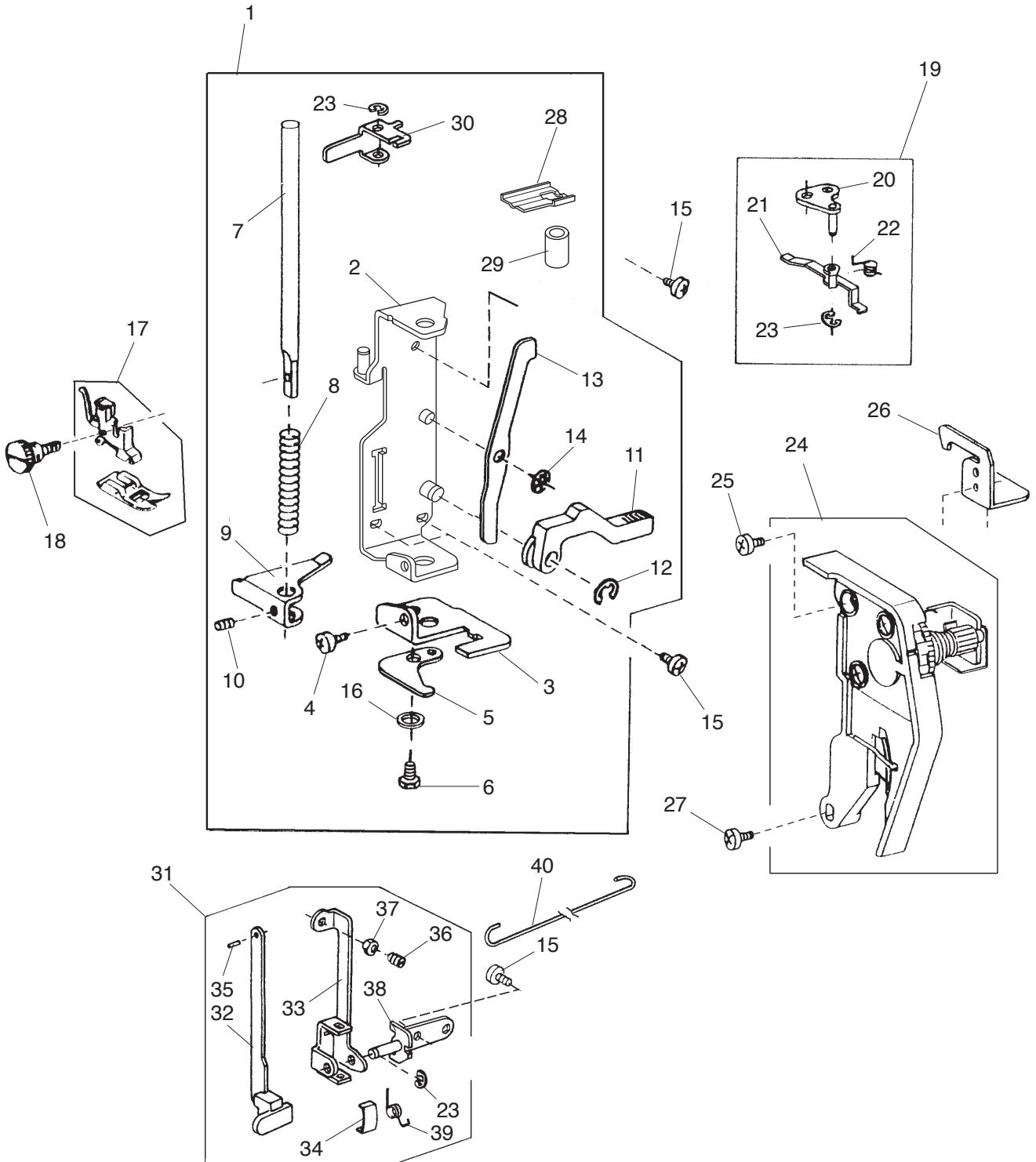
PARTS LIST



PARTS LIST

KEY NO.	PARTS NO.	DESCRIPTION
1	741601511	Rear cover (unit)
2	741001515	Rear cover
3	652302004	Spool pin
4	652205006	Spool pin
5	736007009	Spool pin spring
6	000076317	Tapping screw 3x10
7	735013005	Spool pin spring base
8	730006000	Spring
9	000101404	Setscrew 4x6
10	000061205	Nut
11	739004005	Bed cover plate
12	000115205	TP screw 4x6
13	000081005	Setscrew 4x8
14	000121905	Tapping screw 4x12B
15	653006101	Cap
16	741625913	Front cover (unit)
17	741076924	Front cover
18	730501011	Thread guide plate (unit)
19	000160102	Adjustable lock nut 4
20	735016307	Bobbin winder stopper
21	000071013	Washer
22	000103107	Setscrew 4x14
23	740022003	Thread guide plate
24	000107307	Tapping screw 3x8B
25	741620044	Face cover (unit)
26	741064228	Face cover
27	840602006	Thread cutter (unit)
28	827099003	Reflex sticker
29	739005006	Base plate
30	739064003	Bed rubber base
31	735616200	Rubber base (unit)
32	735002001	Rubber base
33	000097901	Flat screw M5x18
34	000061319	Nut
35	741502005	Extension table (unit)

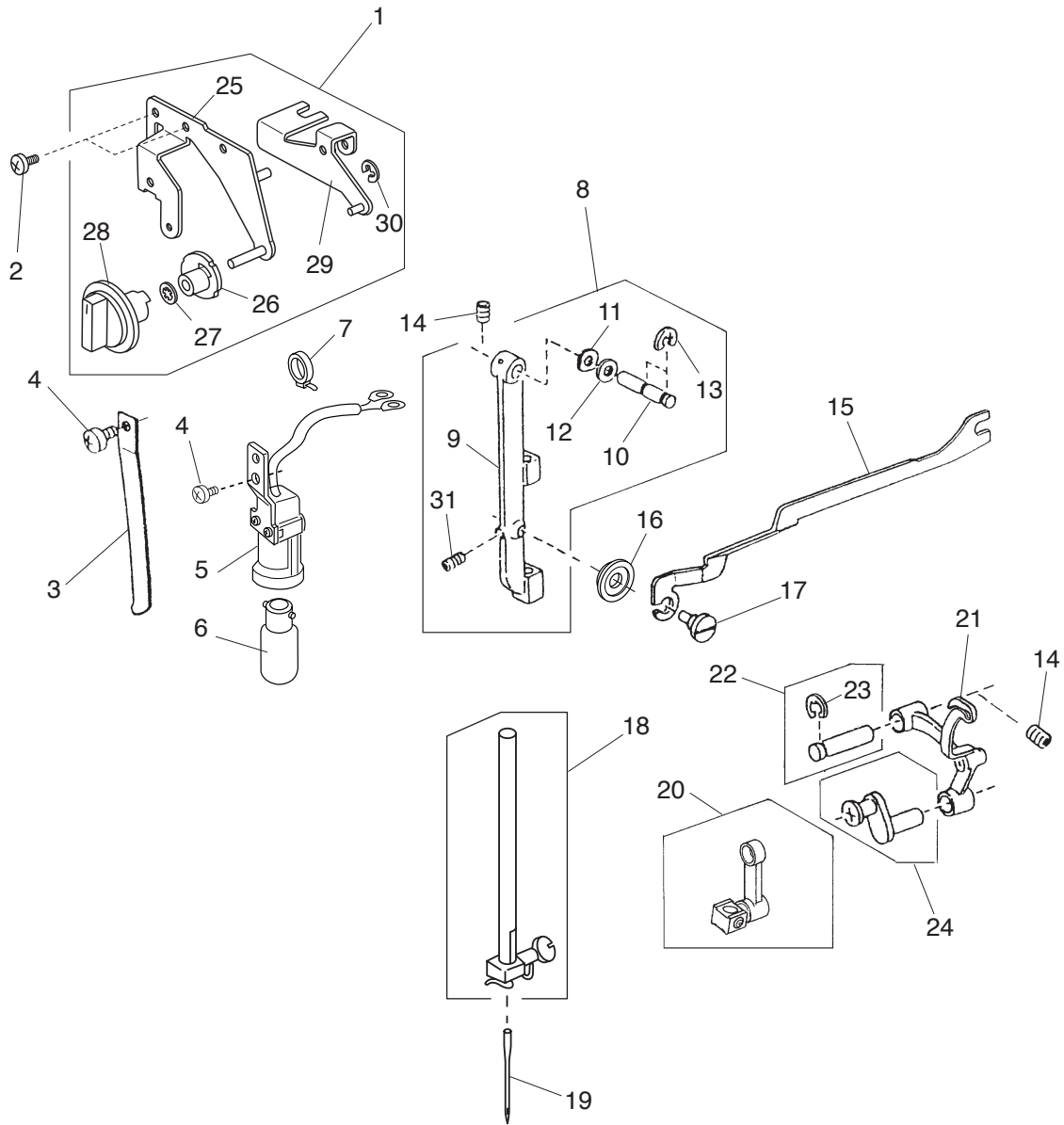
PARTS LIST



PARTS LIST

KEY NO.	PARTS NO.	DESCRIPTION
1	741622002	Presser bar base plate (unit)
2	308060001	Presser bar base plate
3	735222009	Needle drop adjusting plate
4	000101404	Setscrew 4x6
5	735025000	Needle bar supporter stopper
6	000138307	Bolt 4x8
7	735026001	Presser bar
8	301020008	Presser bar spring
9	735028003	Presser bar bracket
10	000111500	Hexagonal socket screw 4x8
11	735029200	Presser foot lifter
12	000001609	Snap ring E-5
13	735030008	Tension release lever
14	000013903	Snap ring CS-5
15	000081005	Setscrew 4x8
16	000070506	Washer
17	301612106	Presser foot (unit)
18	647112009	Thumb screw
19	741604008	Tension release arm (unit)
20	739017001	Tension release arm base
21	741008006	Tension release arm
22	739019003	Tension release spring
23	000002105	Snap ring E-3
24	741503006	Tension assembly
25	000103808	Setscrew 3x5
26	739016000	Top cover thread guide
27	000101703	Setscrew 4x12
28	301018003	Presser bar regulating plate
29	301019004	Presser bar bushing
30	740051001	BH adjusting lever
31	740617001	BH lever (unit)
32	753629109	BH lever (unit)
33	740047004	BH lever supporter
34	753027008	Friction spring
35	000023009	Spring pin
36	000113306	Setscrew 4x10
37	000160102	Adjustable lock nut 4
38	740048005	BH lever base plate
39	740049006	BH lever spring
40	740052002	BH shifting rod

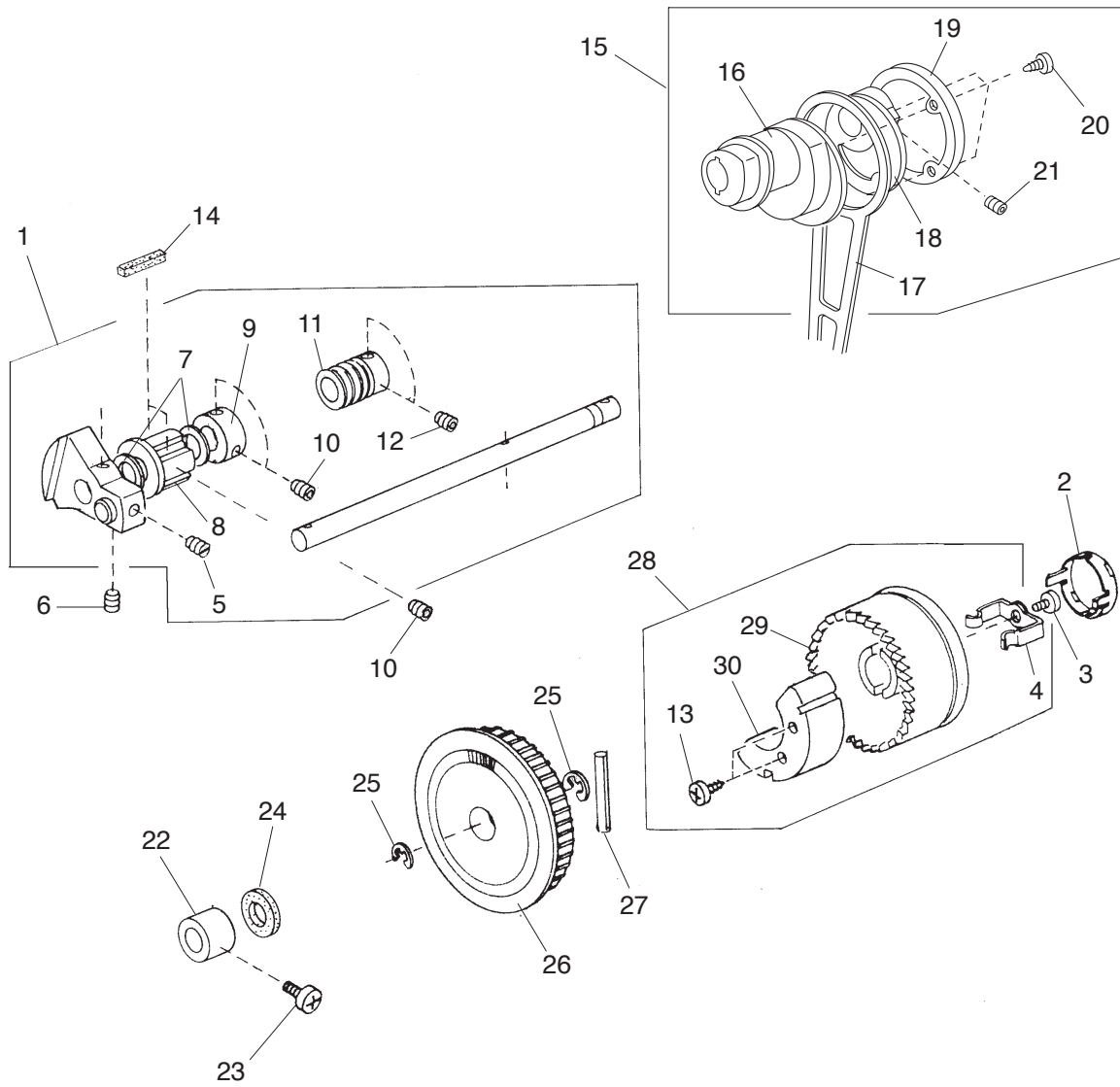
PARTS LIST



PARTS LIST

KEY NO.	PARTS NO.	DESCRIPTION
1	741621001	Face cover set plate (unit)
2	000081005	Setscrew 4x8
3	730024004	Needle bar supporter spring
4	000101404	Setscrew 4x6
5	743634106	Lamp socket (unit) 240V
6	000009009	Lamp 240V 15W
7	000053709	Cord tie band
8	301610001	Needle bar supporter (unit)
9	301032003	Needle bar supporter
10	730022002	Needle bar supporter pin
11	673022002	Wave washer
12	000070609	Plain washer
13	000002507	Snap ring E-4
14	000111304	Hexagonal socket screw 5x5
15	735119002	Zigzag rod
16	748021006	Zigzag rod plain washer
17	678084007	Eccentric pin
18	730503116	Needle bar (unit)
19	102408089	Needle HA1-14
20	680504005	Needle bar connecting stud (unit)
21	625506109	Thread take-up lever (unit)
22	731511006	Thread take-up lever pin (unit)
23	000002806	Snap ring E-6
24	735504008	Needle bar crank pin (unit)
25	301008000	Face cover set plate
26	301021009	Presser adjusting plate
27	000013800	Snap ring CS-6
28	741065001	Foot presser dial
29	301007009	Foot presser adjusting arm
30	000001609	Snap ring E-5
31	000111902	Hexagonal socket screw 3x4

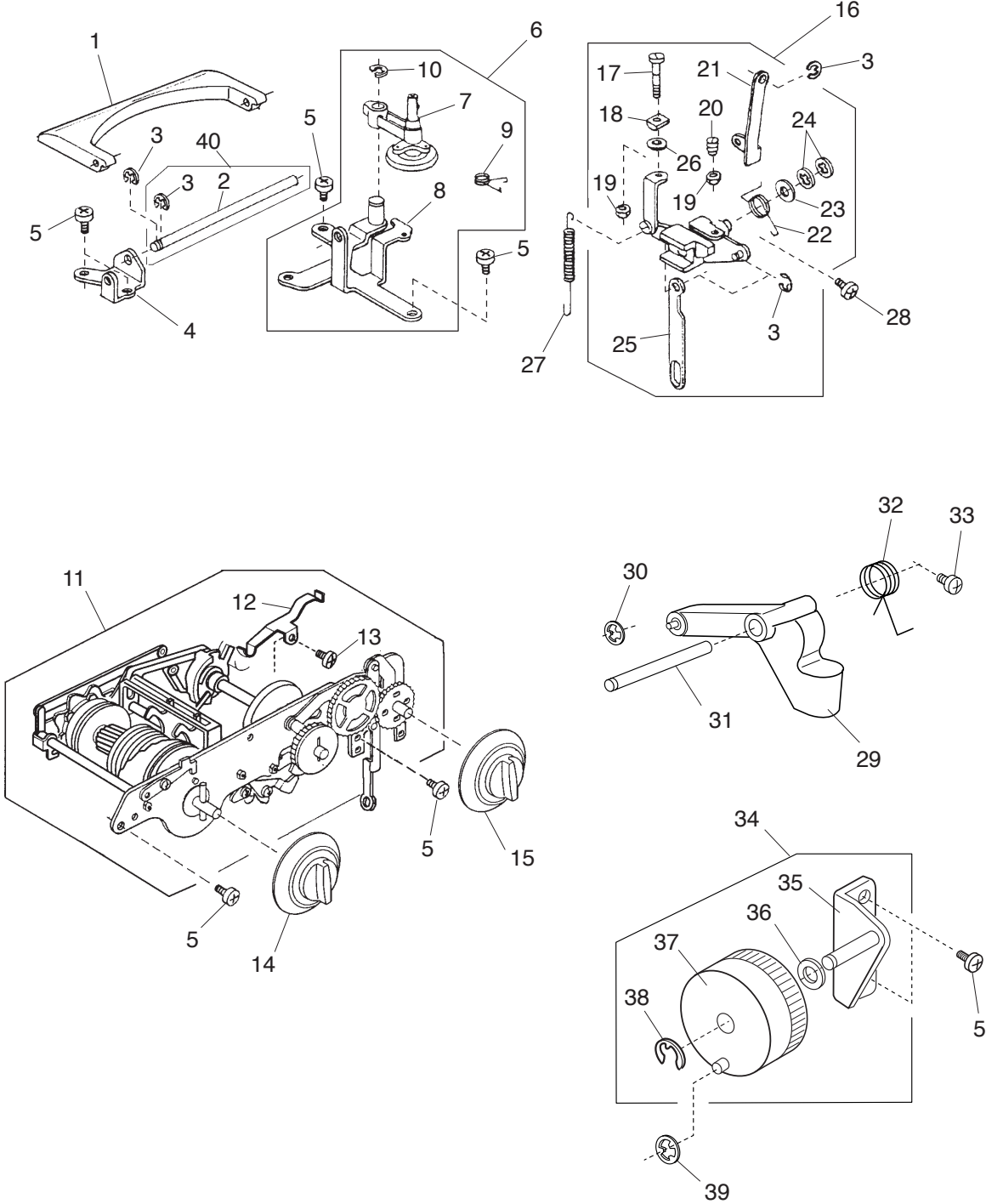
PARTS LIST



PARTS LIST

KEY NO.	PARTS NO.	DESCRIPTION
1	304607004	Upper shaft (unit)
2	650070509	Clutch cap
3	000081005	Setscrew 4x8
4	639113016	Clutch spring
5	102073003	Setscrew
6	761052007	Setscrew
7	000036717	Thrust washer
8	732025001	Upper shaft front bushing
9	639095000	Ring
10	000111304	Hexagonal socket screw 5x5
11	749011109	Worm
12	000111201	Hexagonal socket screw 4x4
13	000121400	Tapping screw 3x14B
14	731312005	Felt
15	304609006	Crank rod (unit)
16	304042005	Feed cam
17	743011008	Crank rod
18	304044007	Crank cam
19	304043006	Crank cam plate
20	000161309	Tapping screw 3x12
21	000110107	Hexagonal socket screw 5x5
22	732003003	Upper shaft bushing
23	000172602	Setscrew 5x8
24	743029009	Felt
25	000030205	Snap ring E-8
26	743019006	Belt wheel
27	000023803	Spring pin
28	743630009	Handwheel (unit)
29	639097024	Handwheel
30	743030003	Balance weight

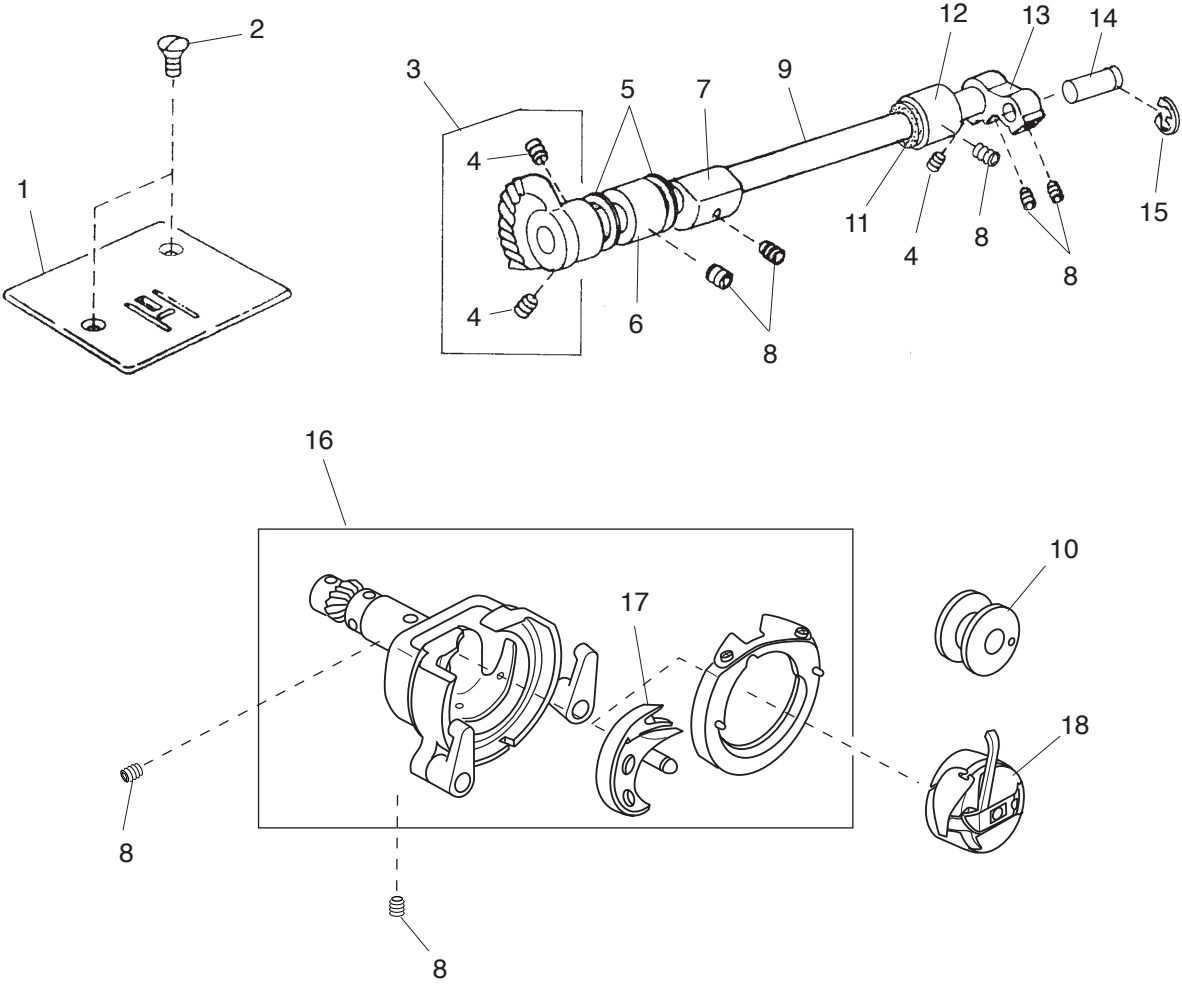
PARTS LIST



PARTS LIST

KEY NO.	PARTS NO.	DESCRIPTION
1	741009007	Handle
2	740011009	Handle shaft
3	000002105	Snap ring E-3
4	740010008	Handle supporter
5	000081005	Setscrew 4x8
6	740602209	Bobbin winder base plate (unit)
7	735501005	Bobbin winder arm (unit)
8	740003101	Bobbin winder base plate
9	740042009	Bobbin winder arm spring
10	000002806	Snap ring E-6
11	741623003	Zigzag mechanism (unit)
12	737011009	Index spring
13	000103808	Setscrew 3x5
14	741021005	Pattern selector dial
15	741022006	Stitch length dial
16	736604105	Feed regulator (unit)
17	735074004	SS adjusting screw
18	735076006	SS rod block
19	000160102	Adjustable lock nut 4
20	648010009	Setscrew
21	739020007	Feed regulating rod
22	735077007	Feed regulating body spring
23	735073003	Plain washer
24	000013800	Snap ring CS-6
25	745052007	Reverse link
26	000071013	Washer
27	740125001	Feed regulator spring
28	000172602	Setscrew 5x8
29	741067003	R button
30	000014007	Snap ring CS-4
31	736015000	R button shaft
32	739063002	R button spring
33	000101301	Setscrewe 5x10
34	741624118	Stitch width control (unit)
35	741073002	Stitch width set plate
36	000116206	Wave washer
37	741074302	Stitch width control
38	000001609	Snap ring E-5
39	000014007	Snap ring CS-4
40	740624001	Handle shaft (unit)

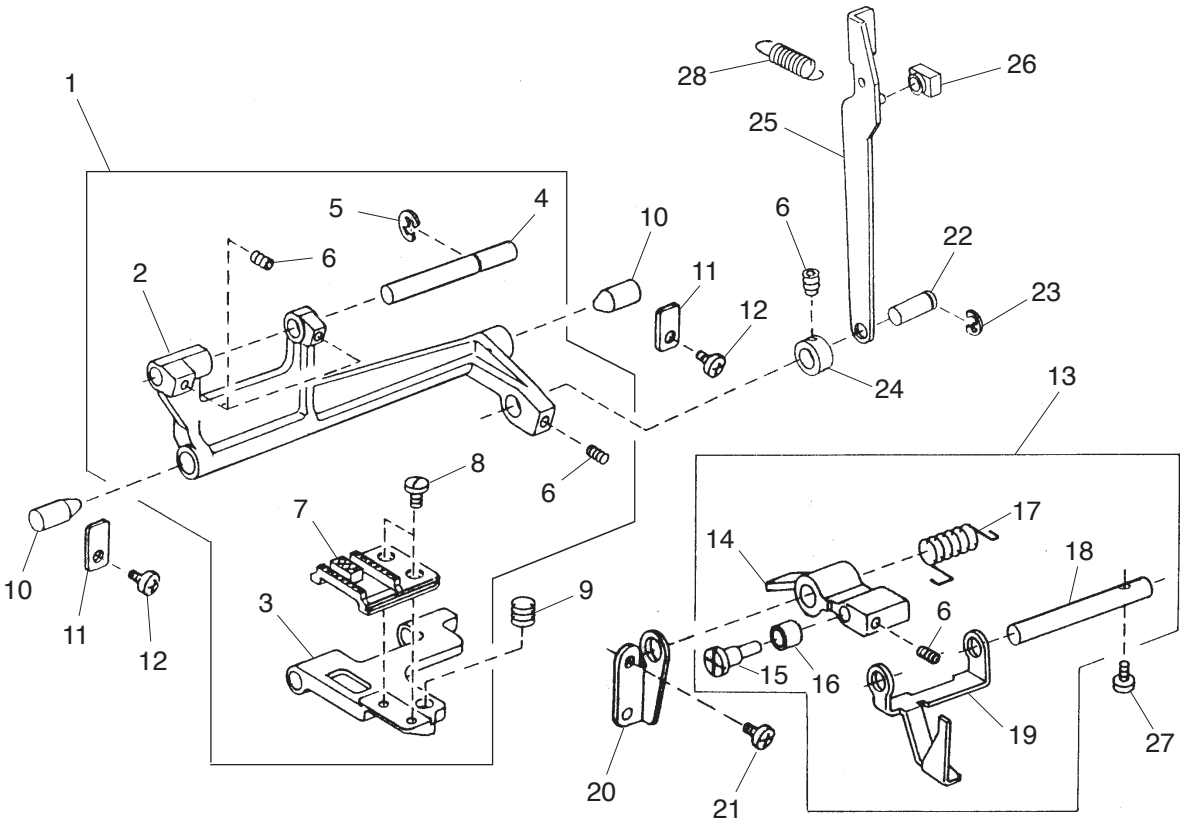
PARTS LIST



PARTS LIST

KEY NO.	PARTS NO.	DESCRIPTION
1	744004104	Needle plate
2	681009101	Setscrew
3	735950003	Lower shaft gear (unit)
4	000110107	Hexagon socket screw 5x5WP
5	000036201	Washer 8-0.5
6	735233003	Bushing
7	735061101	Feed lifting cam
8	000111304	Hexagonal socket screw 5x5
9	735236006	Lower shaft
10	102261000	Bobbin
11	822070003	Felt
12	735234004	Bushing
13	639036003	Lower shaft crank arm
14	639037004	Pin
15	000001609	Snap ring E-5
16	735610101	Shuttle race body (unit)
17	532096007	Shuttle hook
18	647515006	Bobbin case (unit)

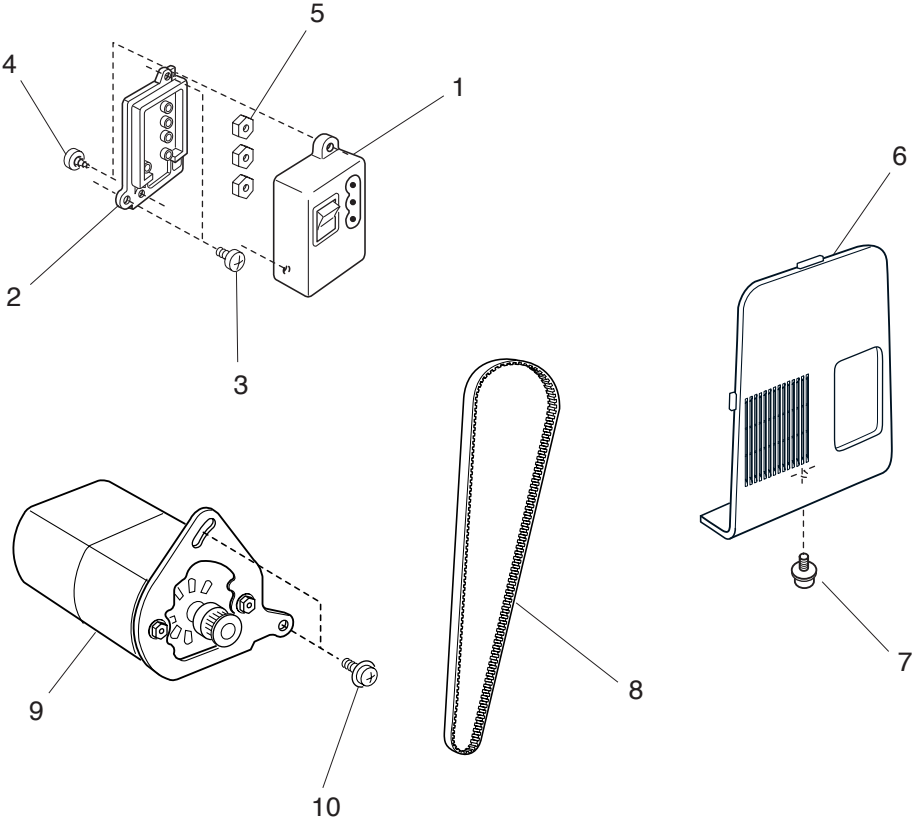
PARTS LIST



PARTS LIST

KEY NO.	PARTS NO.	DESCRIPTION
1	735612000	Feed rock shaft (unit)
2	735078008	Feed rock shaft
3	735079009	Feed bar
4	735080003	Feed bar shaft
5	000002507	Snap ring E-4
6	000111201	Hexagonal socket screw
7	735081004	Feed dog
8	735082005	Setscrew
9	735083006	Feed bar spring
10	735084007	Feed rock shaft center
11	735085008	Feed rock shaft center plate
12	000101404	Setscrew 4x6
13	301609007	Feed lifting arm (unit)
14	301027005	Feed lifting arm
15	735087000	Feed lifting pin
16	735088001	Feed lifting roller
17	730061003	Feed lifting spring
18	735090006	Feed lifting shaft
19	740013001	Drop feed selecting plate
20	739022009	Feed lifting shaft holder
21	000081119	Setscrew 4x6
22	735071104	Feed rock shaft connecting pin
23	000002806	Snap ring E-6
24	735276008	Ring
25	743012009	Feed rod
26	102141003	Feed regulator slide block
27	000101703	Setscrew 4x12
28	743013000	Feed rod spring

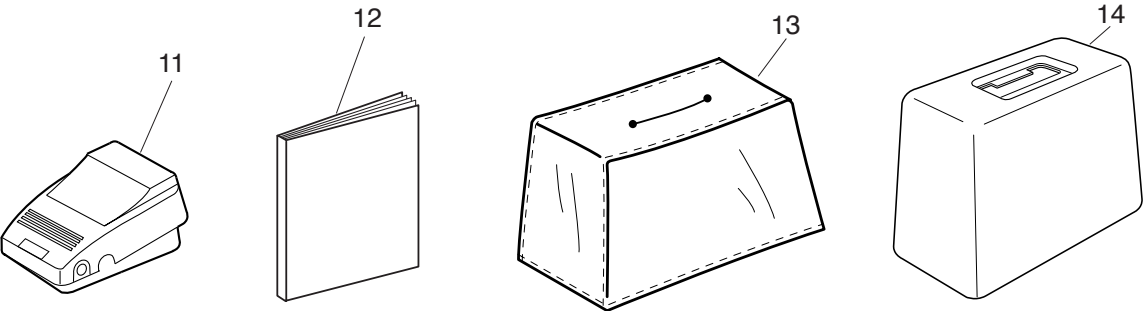
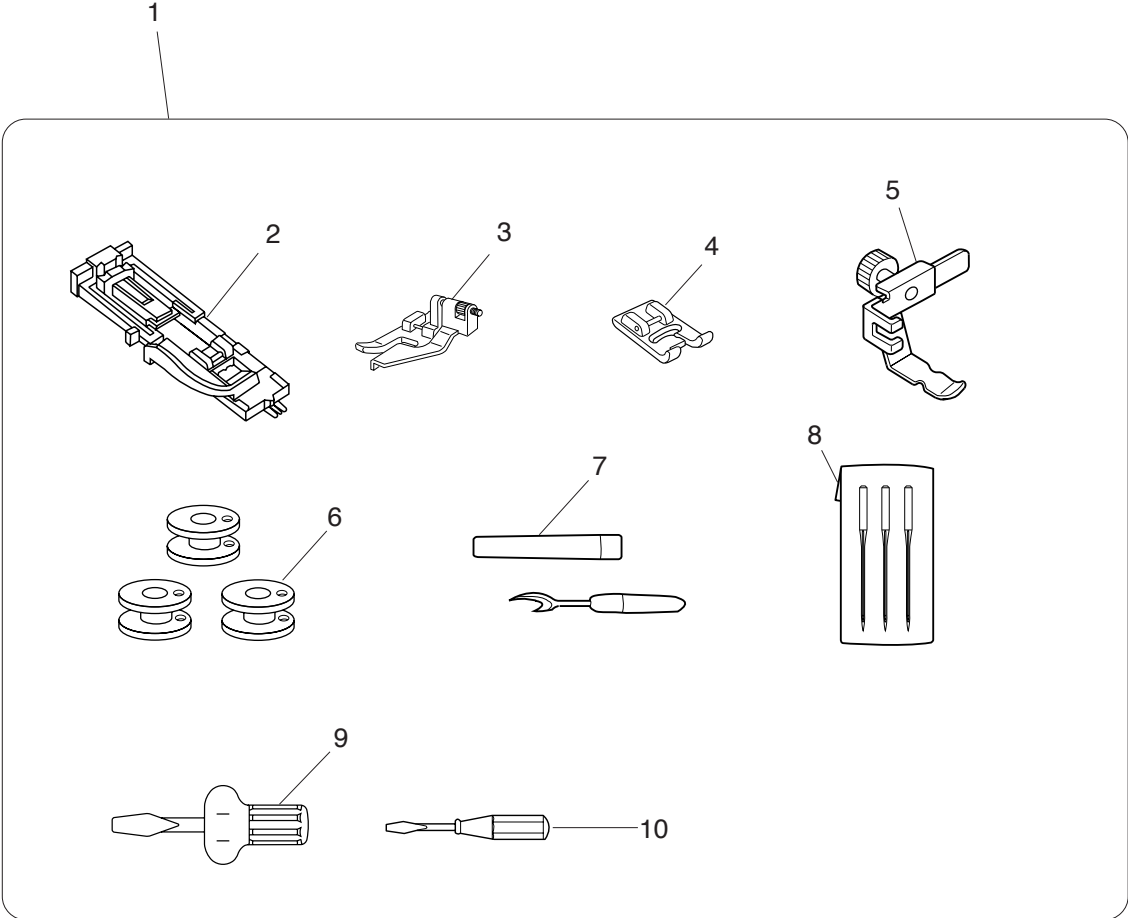
PARTS LIST



PARTS LIST

KEY NO.	PARTS NO.	DESCRIPTION
1	739503308	Machine socket (unit) (230V)
2	739037007	Machine socket cover
3	000103509	Setscrew 4x10
4	000107802	Setscrew 3x10
5	000060802	Nut
6	741029003	Belt cover
7	000115205	Setscrew 4x6
8	650166008	Motor timing belt
9	743611004	Motor assy (230V)
10	000201209	Setscrew 5x12

PARTS LIST



PARTS LIST

KEY NO.	PARTS NO.	DESCRIPTION
1	741870708	Accessory set
2	740801004	Buttonhole foot
3	611411000	Blind hem stitch foot
4	737801015	Buttonhole foot
5	593401008	Zipper foot
6	102261000	Bobbin
7	647808009	Buttonhole opener
8	639804000	Needle set
9	820832005	Screw driver (large)
10	647803004	Screw driver (small)
11	042870308	Foot control
12	741800420	Instruction book
13	741811000	Cover
14	475701105	Cover