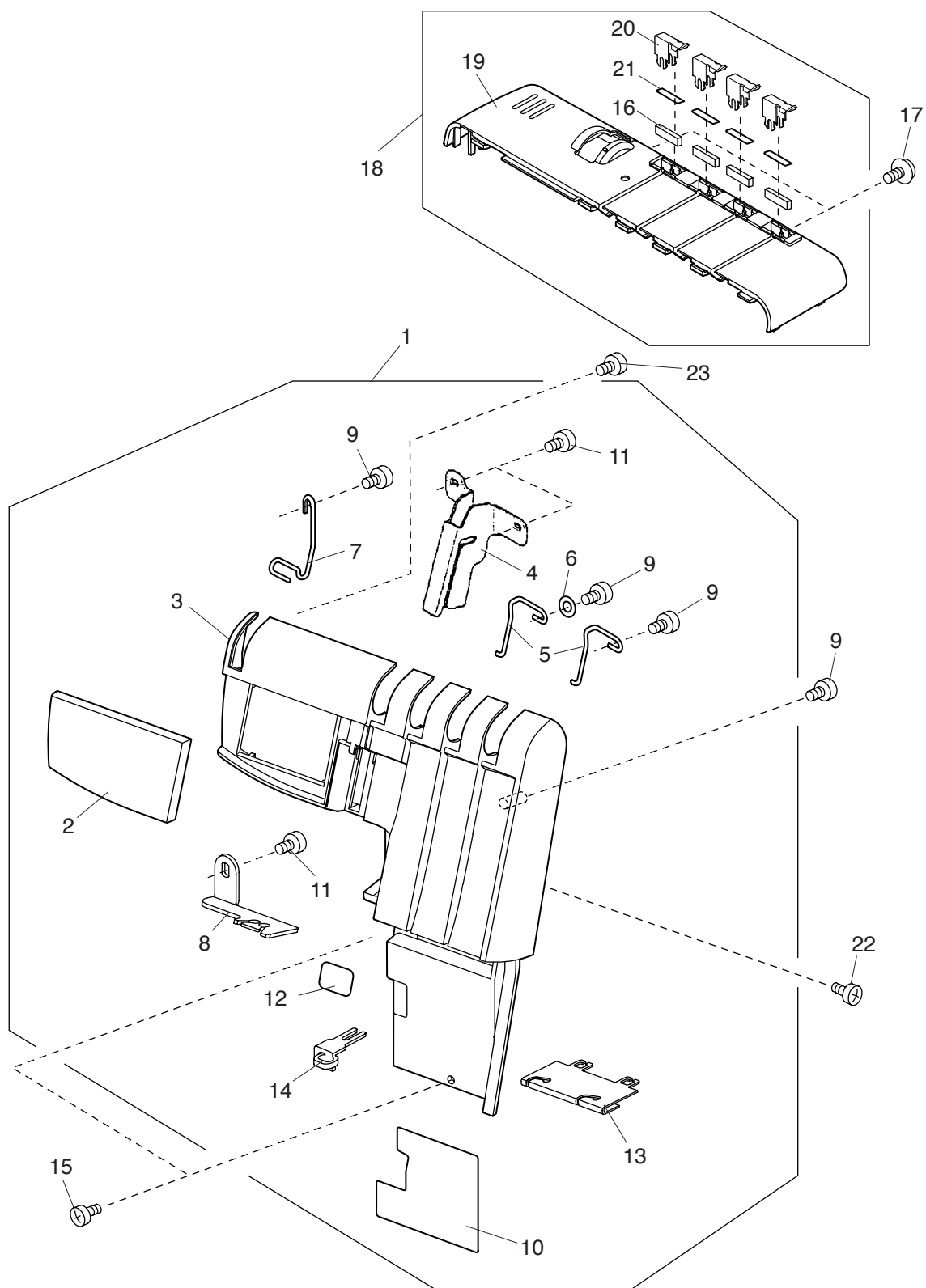


PARTS LIST

MODEL: 664

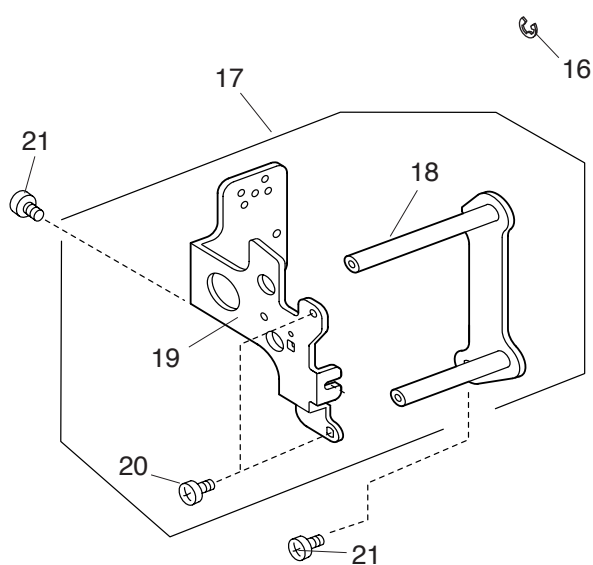
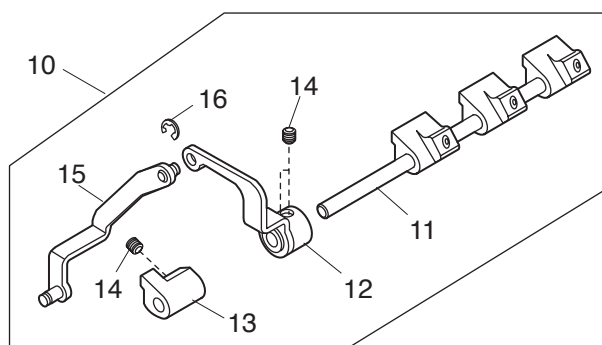
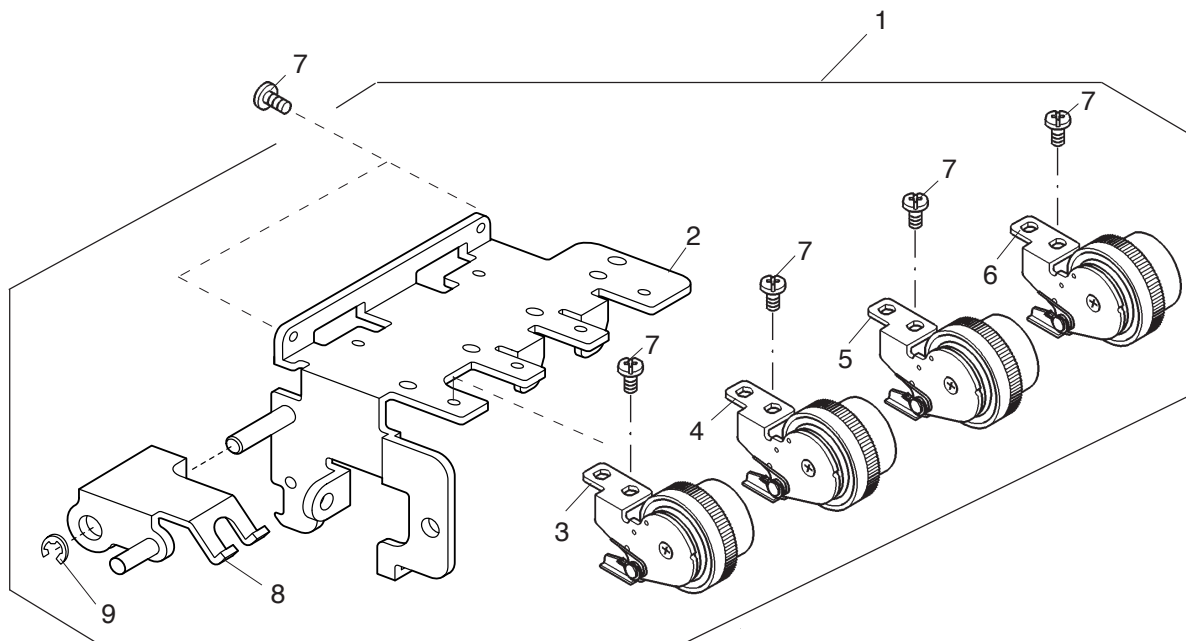
PARTS LIST



PARTS LIST

No.	Part No.	Part Name	Remark
1	798623009	Front cover unit	
2	798024200	Panel	
3	798023014	Front cover	
4	788059007	Take-up lever cover	
5	788060001	Needle thread guide (R)	
6	000070506	Washer	
7	788115002	Needle thread guide (L)	
8	798044000	Needle thread guide	
9	000149301	Setscrew 3x8 (B)	
10	798045001	Sticker	
11	000120203	Setscrew 3x8 (B)	
12	888261007	Sticker	
13	787132002	Looper thread guide	
14	787131001	U. looper thread guide	
15	000081005	Setscrew 4x8	
16	797049002	Sponge	
17	000115216	TP screw 4x6	
18	798608008	Top cover unit	
19	798041007	Top cover	
20	797047000	Upper thread guide	
21	797048001	Upper thread guide plate	
22	000115618	TP screw 4x8	
23	000161206	Setscrew 3x10	

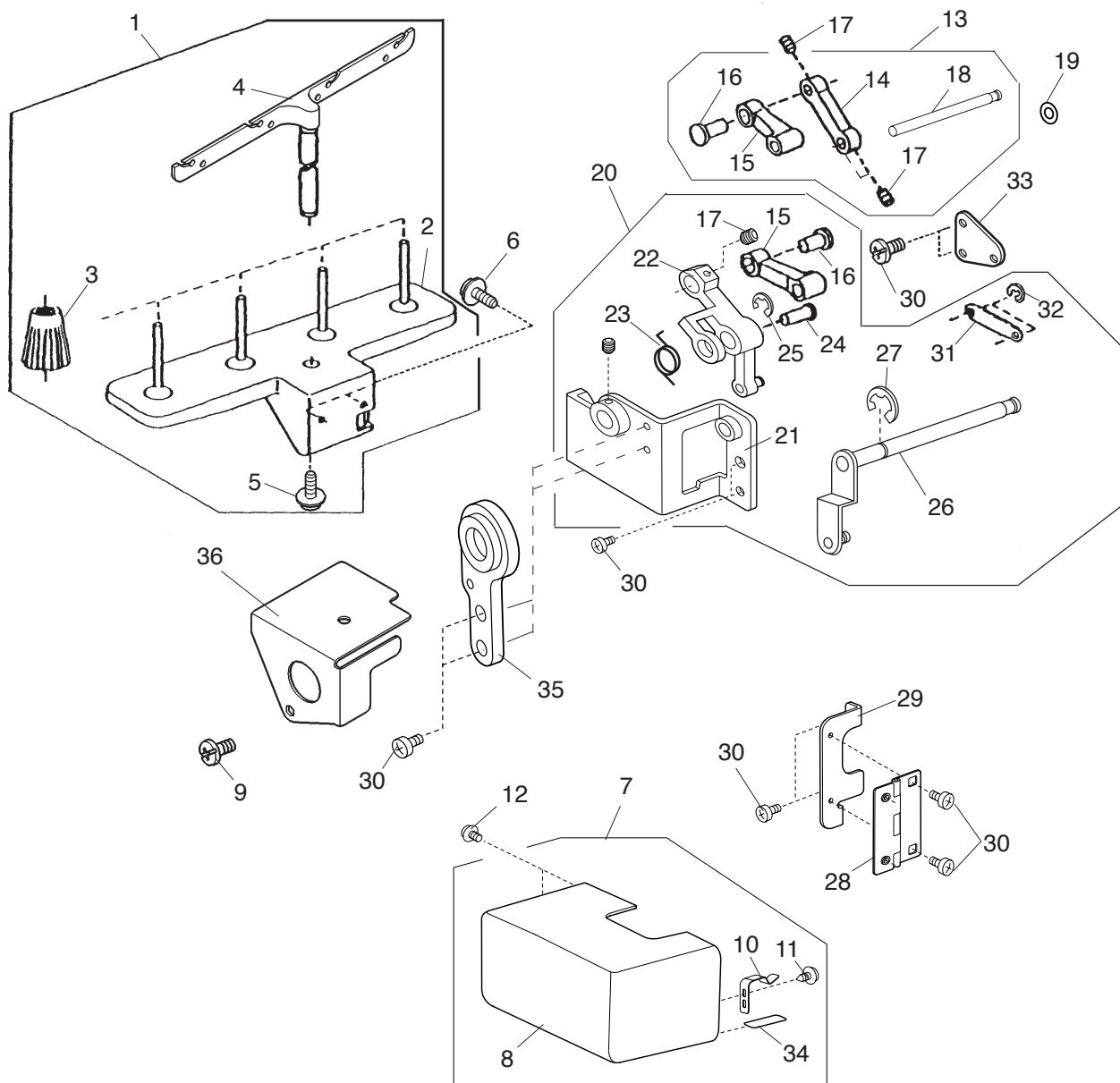
PARTS LIST



PARTS LIST

No.	Part No.	Part Name	Remark
1	798617000	Thread tension set plate unit	
2	788049107	Tread tension set plate	
3	788503090	Left Needle thread tension unit	
4	788504080	Right Needle thread tension unit	
5	788505081	Upper looper thread tension unit	
6	788506082	Lower looper thread tension unit	
7	000101404	Setscrew 4x6	
8	798009003	Regulator lever	
9	000001609	Snap ring E-5	
10	793611009	Thread tension release shaft unit	
11	793127003	Tread tension release shaft	
12	788055003	Thread tension release lever	
13	788056004	Cam ring	
14	000111201	H. socket screw 4x4	
15	788089006	Thread tension release link	
16	000002105	Snap ring E-3	
17	798626002	Dial set plate unit	
18	798012009	Dial base	
19	798015002	Dial set plate	
20	000103808	Setscrew 3x5	
21	000217909	Setscrew 4x8	

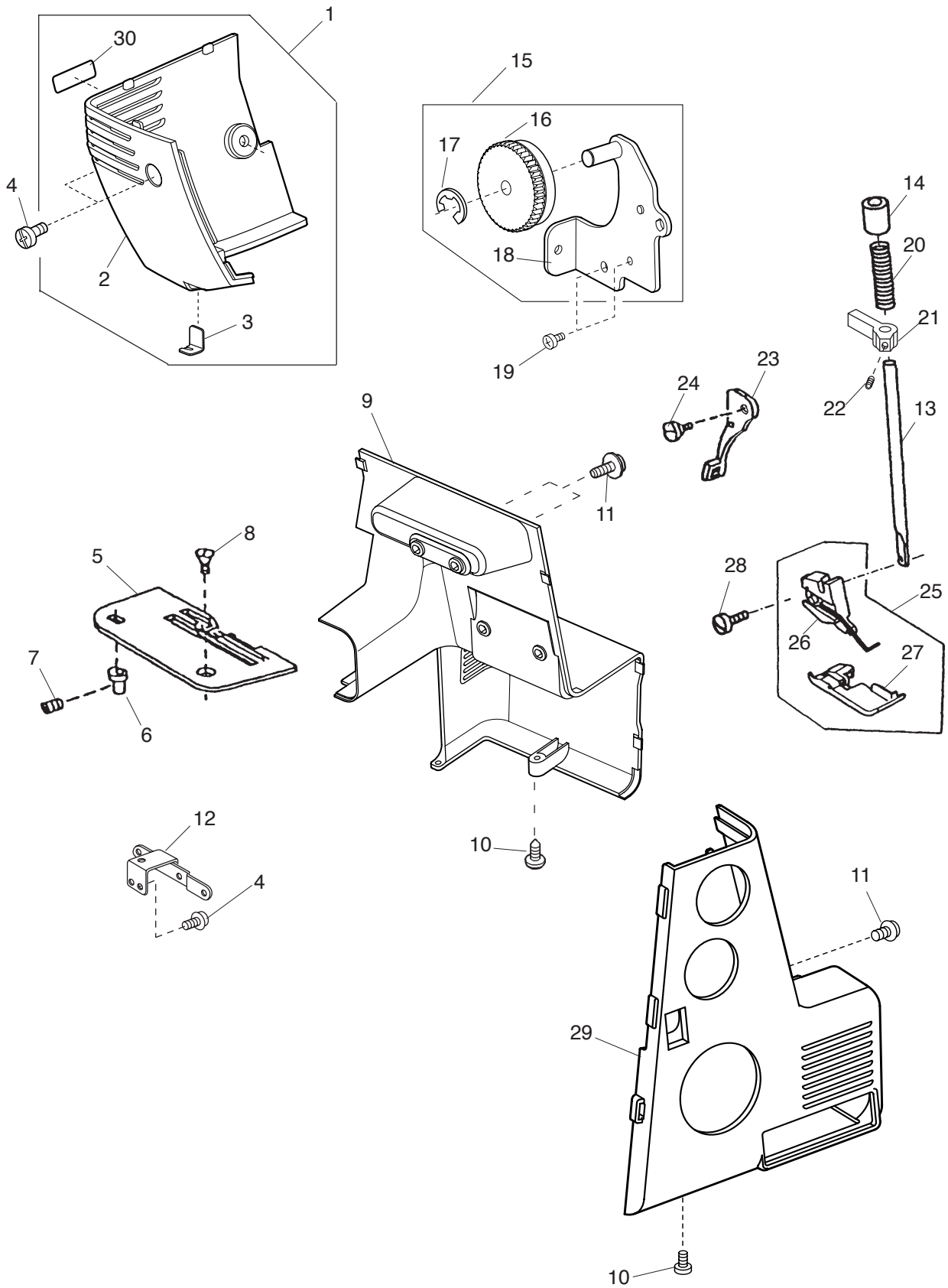
PARTS LIST



PARTS LIST

No.	Part No.	Part Name	Remark
1	789606008	Spool stand unit	
2	777011003	Spool stand	
3	784223105	Spool holder	
4	789607009	Thread guide bar unit	
5	000115700	TP screw 4x10	
6	000114802	TP screw 4x12	
7	798606109	Side cover unit	
	798606501	Side cover unit (Canada)	
8	798036102	Side cover	
9	000101404	Setscrew 4x6	
10	784140004	Side cover spring	
11	000149301	Setscrew 3x8	
12	000115618	TP screw 4x8	
13	787637002	Main feed con. arm 2 unit	
14	787197005	Main feed con. arm 2	
15	787067005	Feed link	
16	787195003	Feed connecting pin	
17	000111201	H. socket screw 4x4	
18	787198006	Main feed con. shaft	
19	650136009	Ring	
20	798616009	Feed adjusting base unit	
21	793119105	Feed adjusting base	
22	793114007	Sub feed connecting arm	
23	793123009	Spring	
24	735071001	Con. arm pin	
25	000002817	Snap ring E-6	
26	792034205	Sub feed con. arm shaft	
27	000001609	Snap ring E-5	
28	787507002	Side cover hinge unit	
29	787165004	Side cover hinge base	
30	000081005	Setscrew 4x8	
31	787081005	Feed con. arm link	
32	000002105	Snap ring E-3	
33	787077008	Connecting arm support	
34	100045000	Sticker (Canada)	
35	793118001	Main shaft supporter	
36	789030005	Feed bar cover	

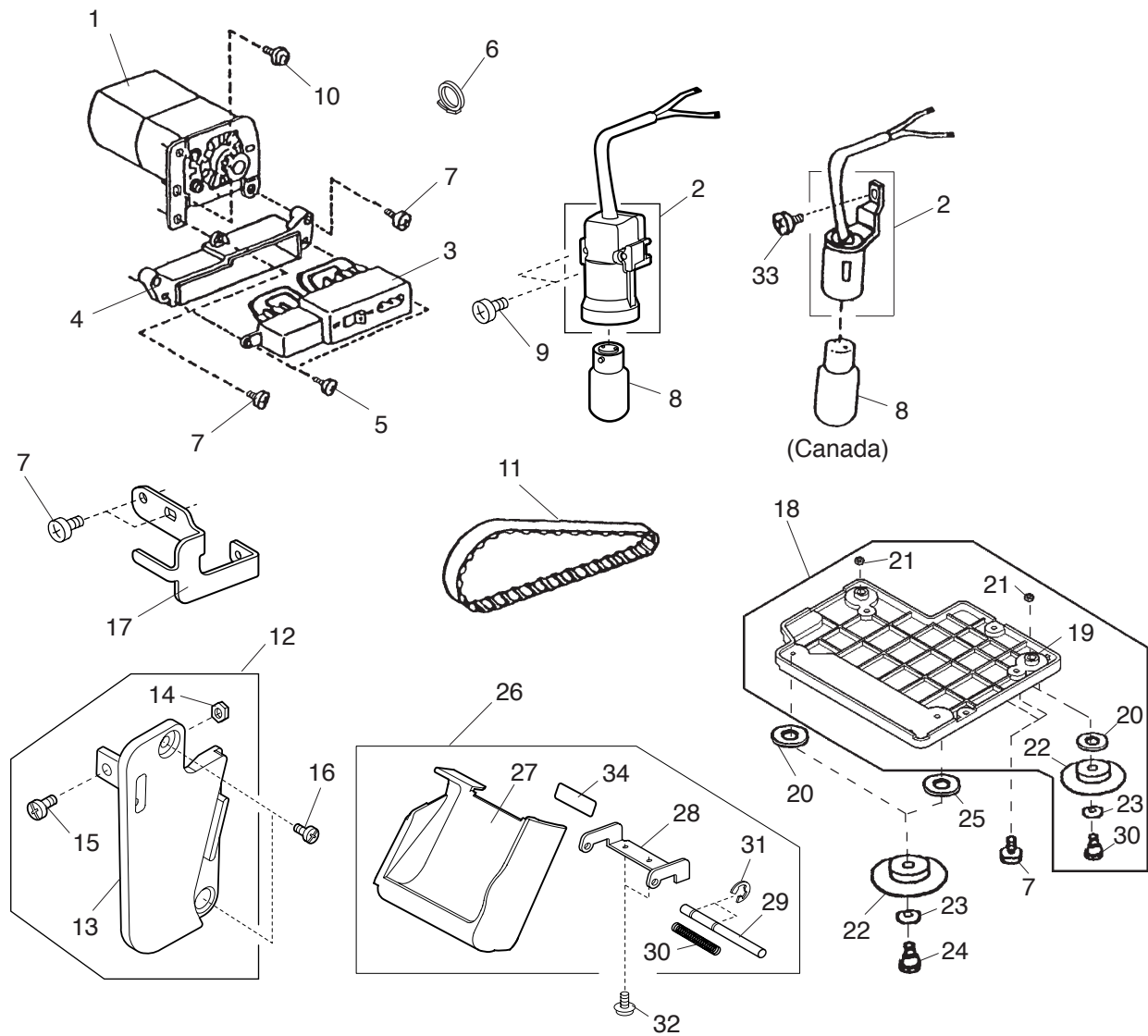
PARTS LIST



PARTS LIST

No.	Part No.	Part Name	Remark
1	798612005	Face plate unit	
	798612108	Face plate unit (Canada)	
2	798046002	Face plate	
3	840602006	Thread cutter unit	
4	000081016	Setscrew 4x8	
5	788601000	Needle plate unit	
6	789100007	Eccentric pin	
7	000111902	H. socket screw 3x4	
8	681009101	Plain screw	
9	798031107	Back cover set plate	
10	000198305	Setscrew 4x10 (B)	
11	000115618	TP screw 4x8	
12	787294003	Back cover set plate	
13	787019105	Presser bar	
14	777002001	Bushing	
15	798620006	Pressure adjusting dial base plate unit	
16	798010100	Dial	
17	000001609	Snap ring E-5	
18	798011008	Pressure adjusting dial base plate	
19	000101404	Setscrew 4x6	
20	787020006	Presser bar spring	
21	789117007	Presser bar bracket	
22	000111304	H. socket screw 5x5	
23	650032015	Presser lifter	
24	810431009	Hinge screw	
25	788501009	Presser foot unit	
26	787541008	Foot holder unit	
27	788502000	Presser foot (lower) unit	
28	660106001	Setscrew	
29	798038207	Belt cover	
30	100517008	Sticker (Canada)	

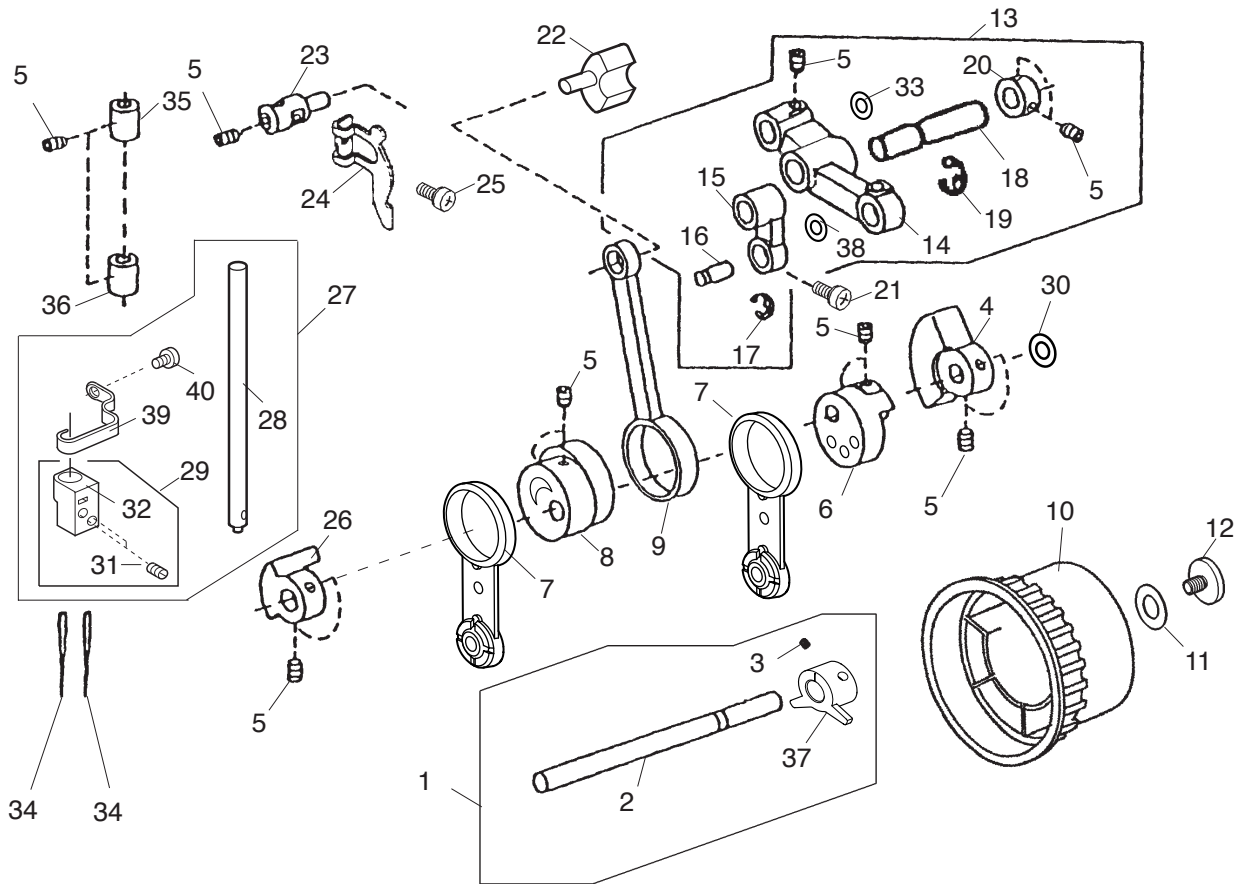
PARTS LIST



PARTS LIST

No.	Part No.	Part Name	Remark
1	792618405	Motor unit	
	792617208	Motor unit (Canada)	
2	655681445	Lamp socket com. unit	
	787633307	Lamp socket com. unit (Canada)	
3	777502109	Plug con. rec. unit	
	777504101	Plug con. rec. unit (Canada)	
4	784128028	Plug. con. receptacle cover	
5	000121905	Setscrew 4x12 (B)	
6	000053008	Cord binder	
7	000081005	Setscrew 4x8	
8	000009009	Lamp 240V 15W BA15D	
	000009803	Lamp 120V 15W	
9	000120214	Setscrew 3x8 (B)	
10	000115504	TP screw 5x10	
11	793125001	Timing belt	
12	798613006	Looper cover guide unit	
13	798034007	Looper cover guide	
14	000062402	Nut	
15	000103510	Setscrew 4x10	
16	000078320	Setscrew 3x6	
17	798035008	Side cover set plate	
18	789610049	Base plate unit	
19	789034009	Base plate	
20	787204006	Washer (2)	
21	000061205	Nut	
22	784135006	Rubber cushion	
23	000070300	Washer	
24	784169009	Hinge screw	
25	785260004	Washer	
26	798611004	Looper cover unit	
	798611200	Looper cover unit (Canada)	
27	798032201	Looper cover	
28	793009008	Looper cover supporter	
29	792027009	Looper cover shaft	
30	792028000	Looper cover spring	
31	000002105	Snap ring E-3	
32	000115216	TP screw 4x6	
33	000101404	Setscrew 4x6	
34	100045000	Sticker (Canada)	

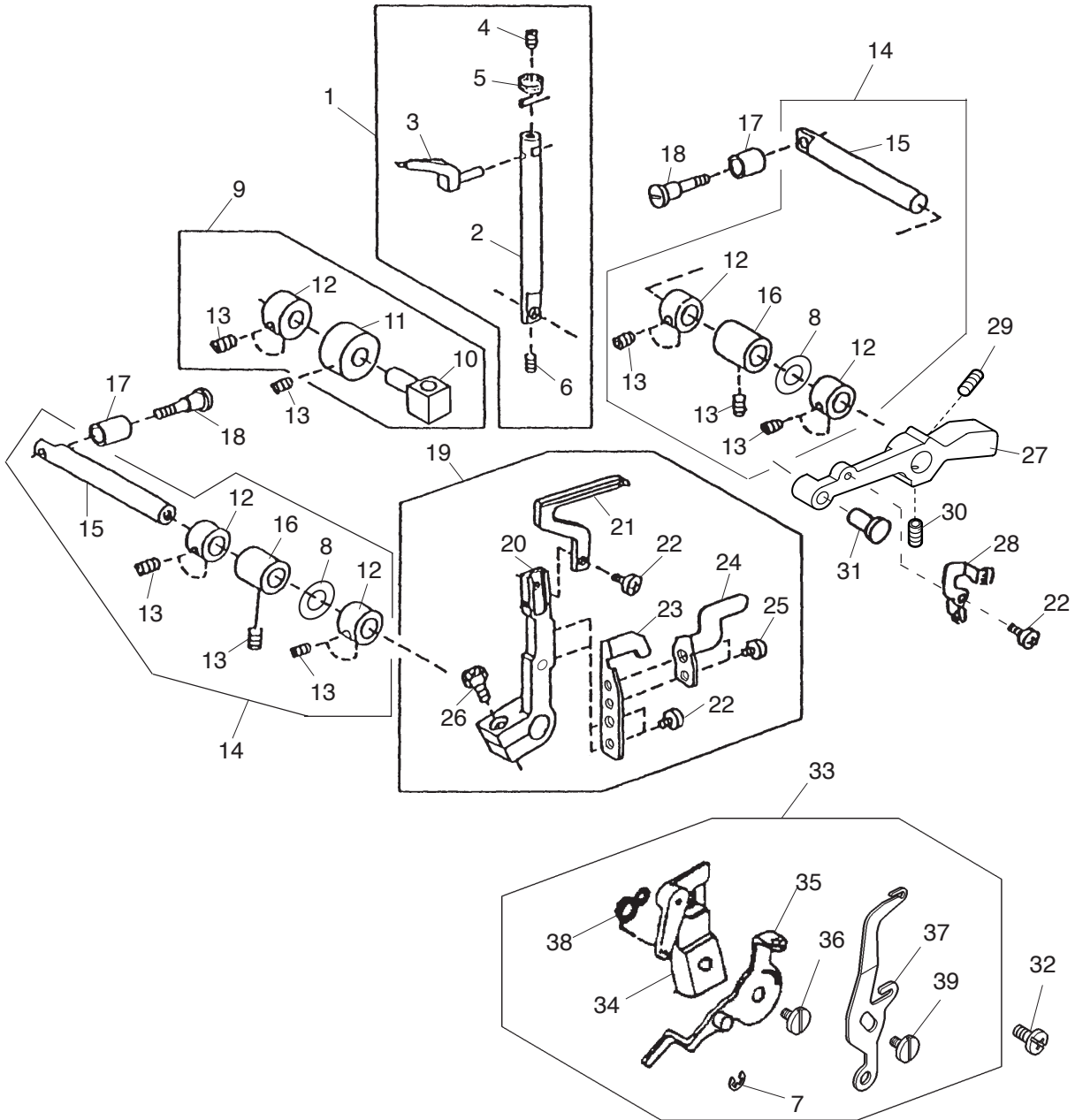
PARTS LIST



PARTS LIST

No.	Part No.	Part Name	Remark
1	792619015	Main shaft unit	
2	789001007	Main shaft	
3	000111304	H. socket screw 5x5	
4	787176008	Balance weight (right)	
5	000111201	H. socket screw 4x4	
6	787004107	Upper looper cam	
7	792951001	Looper cam ring	
8	793121007	Needle bar cam	
9	793120006	Needle bar crank rod	
10	793102002	Handwheel	
11	556047007	Washer	
12	618070004	Screw	
13	789612007	Needle bar crank unit	
14	789104001	Needle bar crank	
15	789007003	Needle bar link	
16	784022009	Link pin	
17	000001609	Snap ring E-5	
18	789008004	Needle bar crank shaft	
19	000002909	Snap ring E-7	
20	624245001	Ring	
21	000101703	Setscrew 4x12	
22	793606001	Needle bar balancer pin	
23	784024012	Needle bar stud	
24	788004007	Take-up lever	
25	000078320	Setscrew 3x6	
26	792037002	Balance weight (left)	
27	792601209	Needle bar unit	
28	792001100	Needle bar	
29	792501002	Needle clamp unit	
30	000038605	Washer	
31	888264000	Needle clamp screw	
32	792002008	Needle clamp	
33	000038502	Washer	
34	784157015	Needle HAx1 SP-14	
35	784027004	Needle bar upper bushing	
36	784028005	Needle bar lower bushing	
37	792041021	Balance ring	
38	000039905	Washer	
39	792003009	Needle bar thread guide	
40	000078320	Setscrew 3x6	

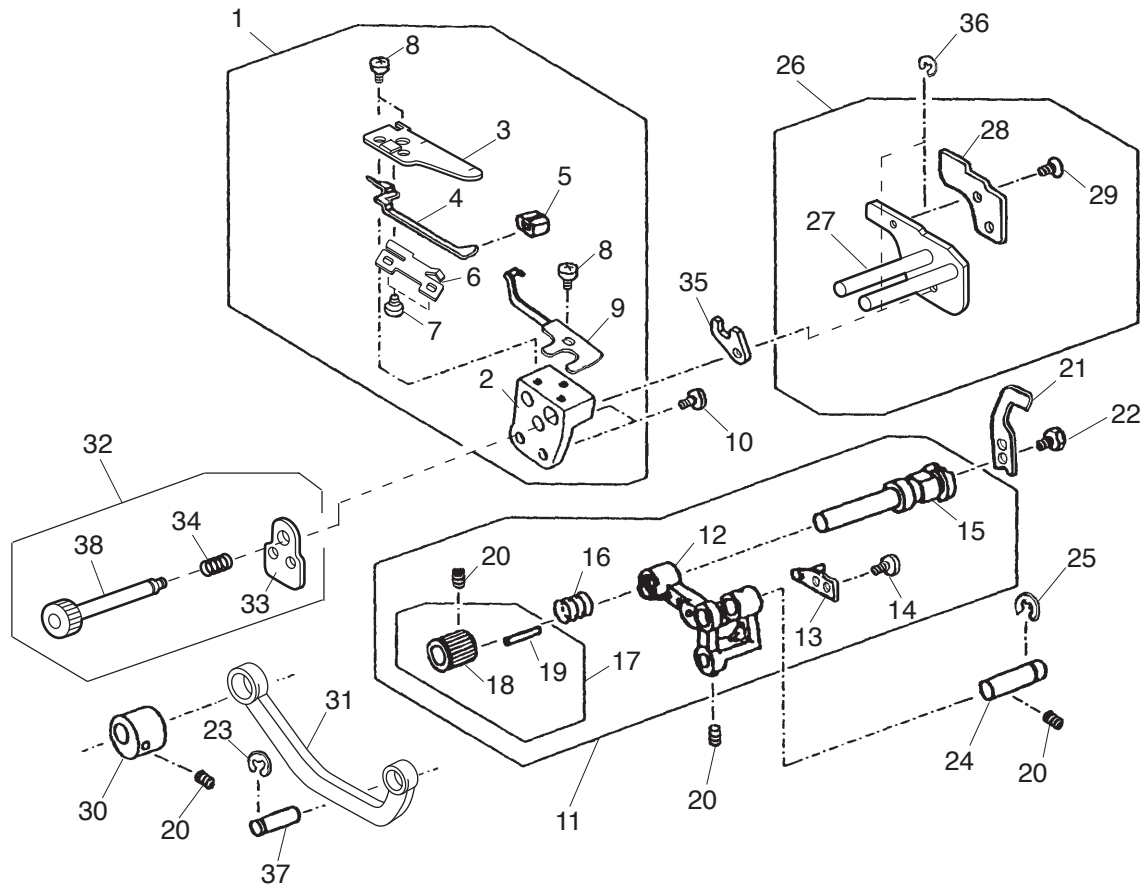
PARTS LIST



PARTS LIST

No.	Part No.	Part Name	Remark
1	792629007	Upper looper shaft unit	
2	797111005	Upper looper shaft	
3	792055006	Upper looper	
4	000112501	H. socket screw 4x4	
5	784077009	U. looper thread guide	
6	000177205	H. socket screw 3x6	
7	000002105	Snap ring E-3	
8	000038502	Washer	
9	792614009	U. looper shaft guide unit	
10	792038003	U. looper shaft guide	
11	792039004	Bushing	
12	792048006	Ring	
13	000111201	H. socket screw 4x4	
14	792630001	U. looper crank shaft unit	
15	787105006	U. looper crank shaft	
16	787104005	Bushing	
17	787107101	Crank spacer	
18	787108009	Crank setscrew	
19	792628017	Lower looper unit	
20	785024107	L. looper base (2)	
21	792056007	Lower looper	
22	000078320	Setscrew 3x6	
23	788042007	Rear needle guard	
24	790008008	Front needle guard	
25	000099006	H. socket screw 3x4	
26	000138008	H. socket screw 4x16	
27	793110003	U. looper waving arm	
28	788038309	Looper thread guide (L2)	
29	000111304	H. socket screw 5x5	
30	000110107	H. socket screw 5x5	
31	789116006	Upper looper pin	
32	000101415	Setscrew 4x6	
33	790605104	Thread guide supporter unit	
34	790009009	Lower looper	
35	790010209	Looper thread guide (2)	
36	788047002	Hinge screw (1)	
37	790011200	Looper thread guide (3)	
38	790012005	Lower looper spring	
39	788048003	Hinge screw (2)	

PARTS LIST



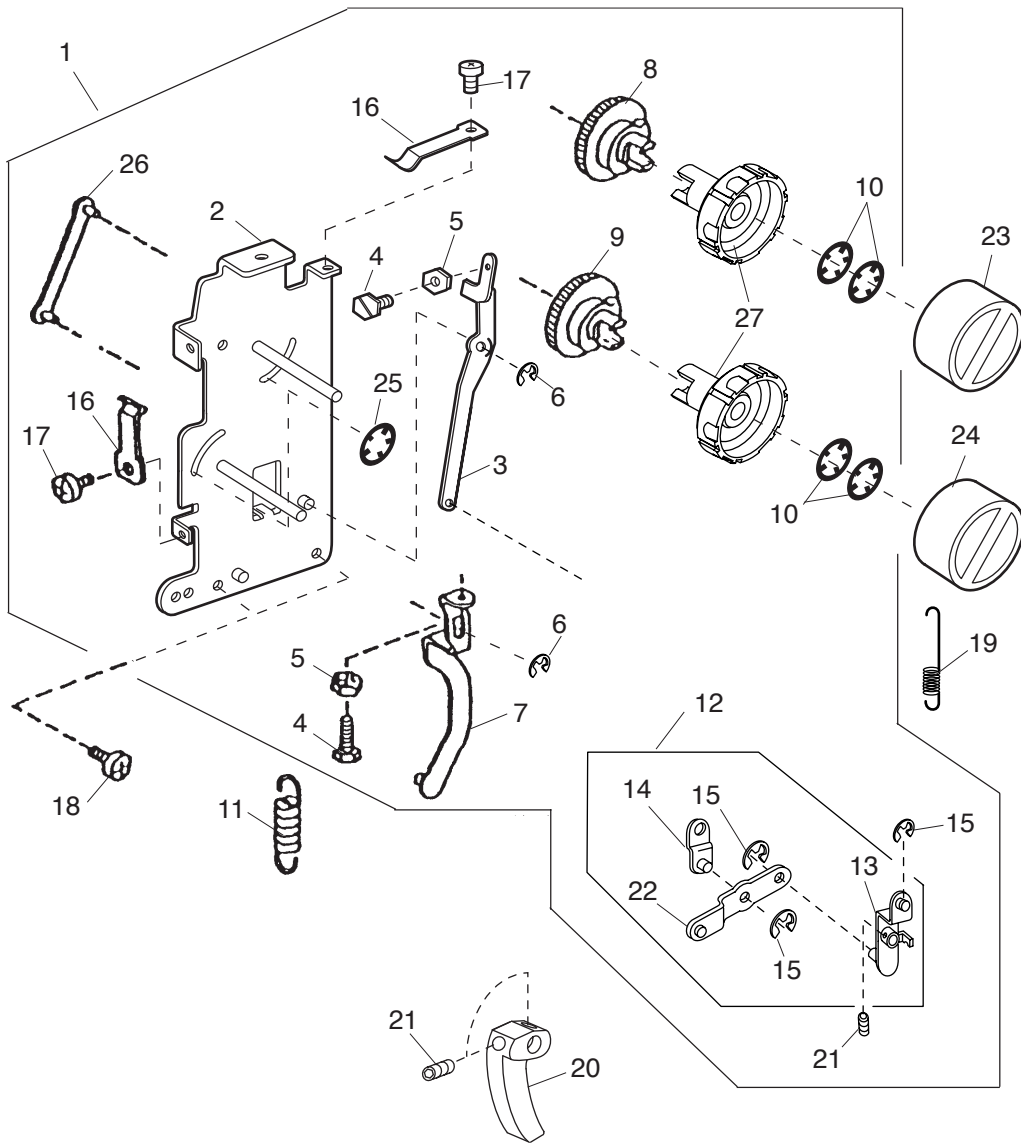
PARTS LIST

No.	Part No.	Part Name	Remark
1	792613008	Chaining finger bracket unit	
2	788015001	Chaining finger bracket	
3	789106003	Chaining finger set plate	
4	788017003	Chaining finger	
5	787041003	Needle plate setting knob	
6	788018004	Chaining finger spring	
7	000074603	Setscrew 2x4	
8	000078320	Setscrew 3x6	
9	788019005	Fixed needle guard	
10	000081005	Setscrew 4x8	
11	788602001	Upper knife drive arm unit	
12	788097007	Upper knife drive arm	
13	784041004	Upper knife guide	
14	810220003	Setscrew 4x6.5	
15	788009002	Upper knife supporter	
16	784043006	Spring	
17	784607004	Upper knife knob unit	
18	784044007	Upper knife knob	
19	000003601	Spring pin 2x14	
20	000111201	H. socket screw 4x4	
21	788127007	Upper knife	
22	624303008	H. bolt 4x6	
23	000001609	Snap ring E-5	
24	787022008	Pin	
25	000002909	Snap ring E-7	
26	792603005	Lower knife set plate unit	
27	792005001	Lower knife set plate	
28	788013009	Lower knife	
29	000102221	Setscrew 4x6	
30	788008001	Upper knife drive cam	
31	789009005	Upper knife connecting rod	
32	792622000	Lower knife guide shaft unit	
33	787046008	Guide plate	
34	787048000	Spring	
35	788021000	Nut	
36	000001207	Snap ring E-2.5	
37	787012005	Pin	
38	792007003	Lower knife guide shaft	

PARTS LIST

No.	Part No.	Part Name	Remark
1	792604006	Feed bar unit	
2	788022001	Main feed bar	
3	787054009	Main feed bar drive arm	
4	787055000	Pin	
5	000111902	H. socket screw 3x4	
6	788024003	Sub feed bar	
7	787212007	Sub feed drive arm	
8	787059004	Pin	
9	787305008	Feed bar base	
10	787306009	Feed driving arm pin	
11	787065003	Feed bar link	
12	787066004	Feed rocking link	
13	787068006	Pin	
14	000111201	H. socket screw 4x4	
15	792008004	Block	
16	787072003	Main feed drive cam	
17	787073004	Sub feed drive cam	
18	788023002	Main feed dog bracket	
19	000068811	Setscrew 3.5x10	
20	788027006	Main feed dog	
21	000066705	Setscrew 3x8	
22	789018007	Sub feed dog	
23	000104201	Setscrew 3.5x10	
24	000201405	TP screw 4x16	

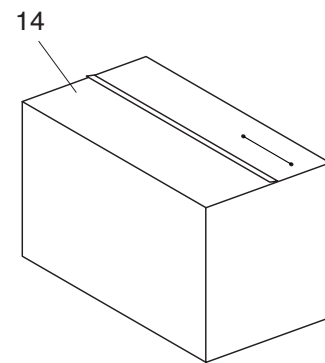
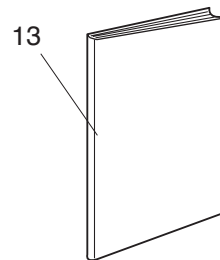
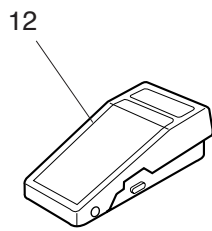
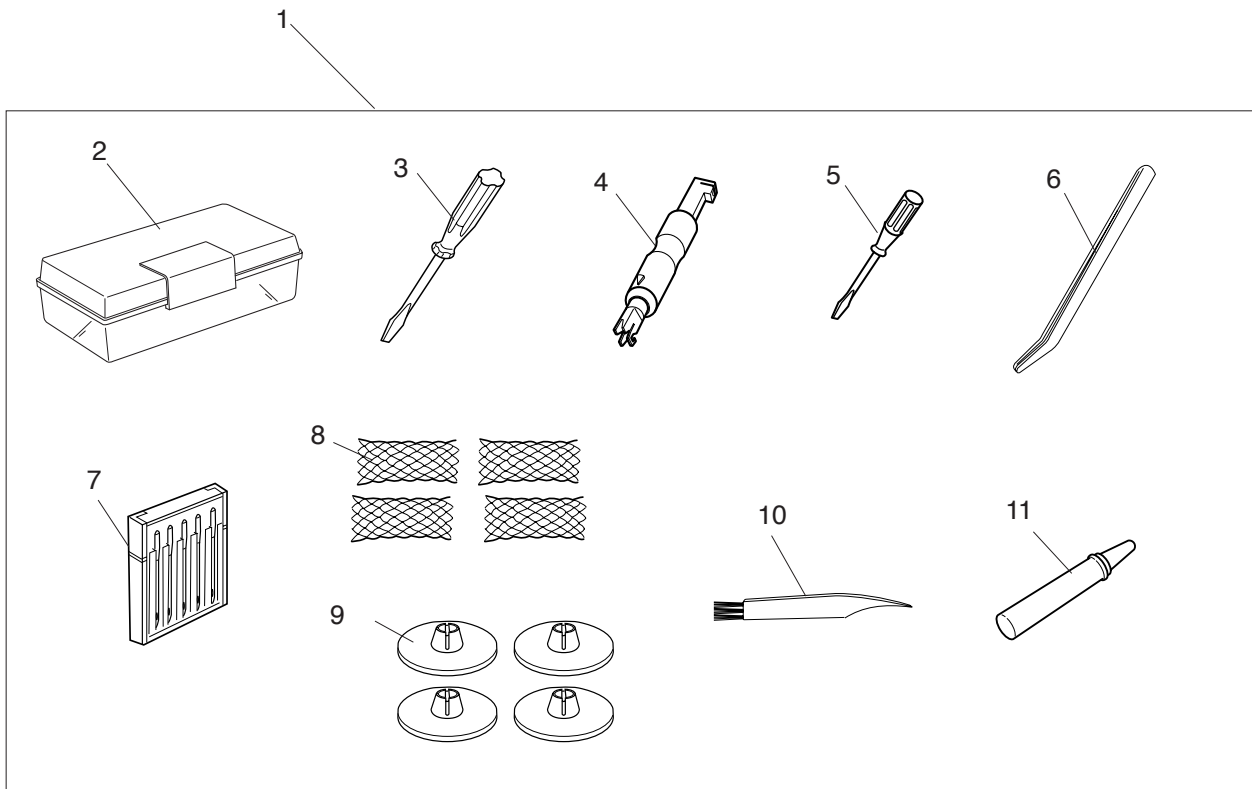
PARTS LIST



PARTS LIST

No.	Part No.	Part Name	Remark
1	798603003	Feed adjuster unit	
2	798019006	Set plate	
3	792013002	Feed rod	
4	785224006	Adjustable screw	
5	000160102	Adjustable nut	
6	000001609	Snap ring E-5	
7	792014003	Differential rod	
8	792015004	S. length adj. cam	
9	788036008	Dif. adj. cam	
10	000013800	Snap ring CS-6	
11	787259006	Spring	
12	792605007	Main feed con. arm unit	
13	792040008	Main feed con. arm	
14	788031003	Dif. transfer arm	
15	000002105	Snap ring E-3	
16	787263003	Spring	
17	000081119	Setscrew 4x6	
18	000081005	Setscrew 4x8	
19	792011000	Spring	
20	788032004	Sub feed con. arm	
21	000111201	H. socket screw 4x4	
22	787266006	Feed con. plate	
23	798022105	S. length dial	
24	798022208	Dif. dial	
25	000014306	Snap ring CS-3	
26	788037009	Link	
27	798021001	Connecting stud	

PARTS LIST



PARTS LIST

No.	Part No.	Part Name	Remark
1	798870014	Accessory unit	
2	366401400	Accessory box	
3	784810002	Screwdriver (large)	
4	202024002	Needle threader	
5	792030005	Screwdriver (small)	
6	624801001	Tweezes	
7	784860100	Needle set	
8	624806006	Net	
9	822020503	Spool cap	
10	802424004	Lint brush	
11	741814003	Oil	
12	C-2060	Foot control (CEE)	
	C-1028	Foot control (USA, Canada)	
13	798800208	Instruction book (English)	
	798800046	Instruction book (Spanish)	
	798800219	Instruction book (En, Fr, Ge)	
14	785808103	Cover	