

**PIÈCES DE RECHANGE
ERSATZTEILE
SPARE PARTS
PIEZAS DE RECAMBIO**

457 592—4

INDEX

1. Casing, external parts, covers, flap, spool pin bases, spool holders, thread guide pole, thread guides, thread tension controls, rubber feet, lamp bracket.
2. Mechanical parts, shafts, eccentrics, rods, feed, presser bar, foot, loopers, blades, needle bar, flywheel, motor belt, bearings, thread take-ups, needle plate, cranks.
3. Electrical parts: motor assemblies, lamp sockets, lamps, switch, motor bracket, connectors, terminal, foot controls, cord sets, spec. plates.
4. Accessories, instruction manual, packings, extra accessories.
5. Part number index and weight.

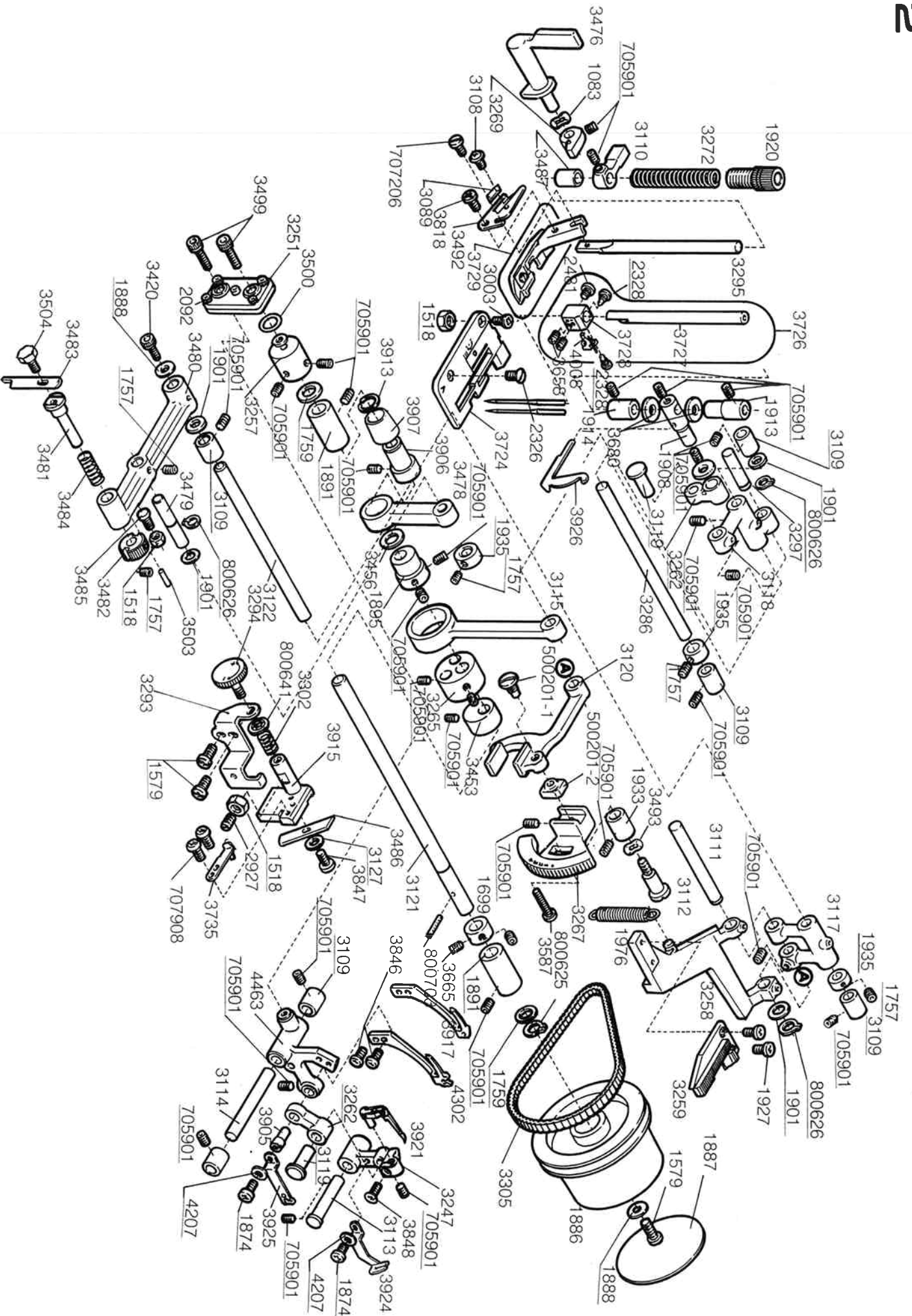
Remark:

800000 Number underlined: Parts appearing more than once on the same page.

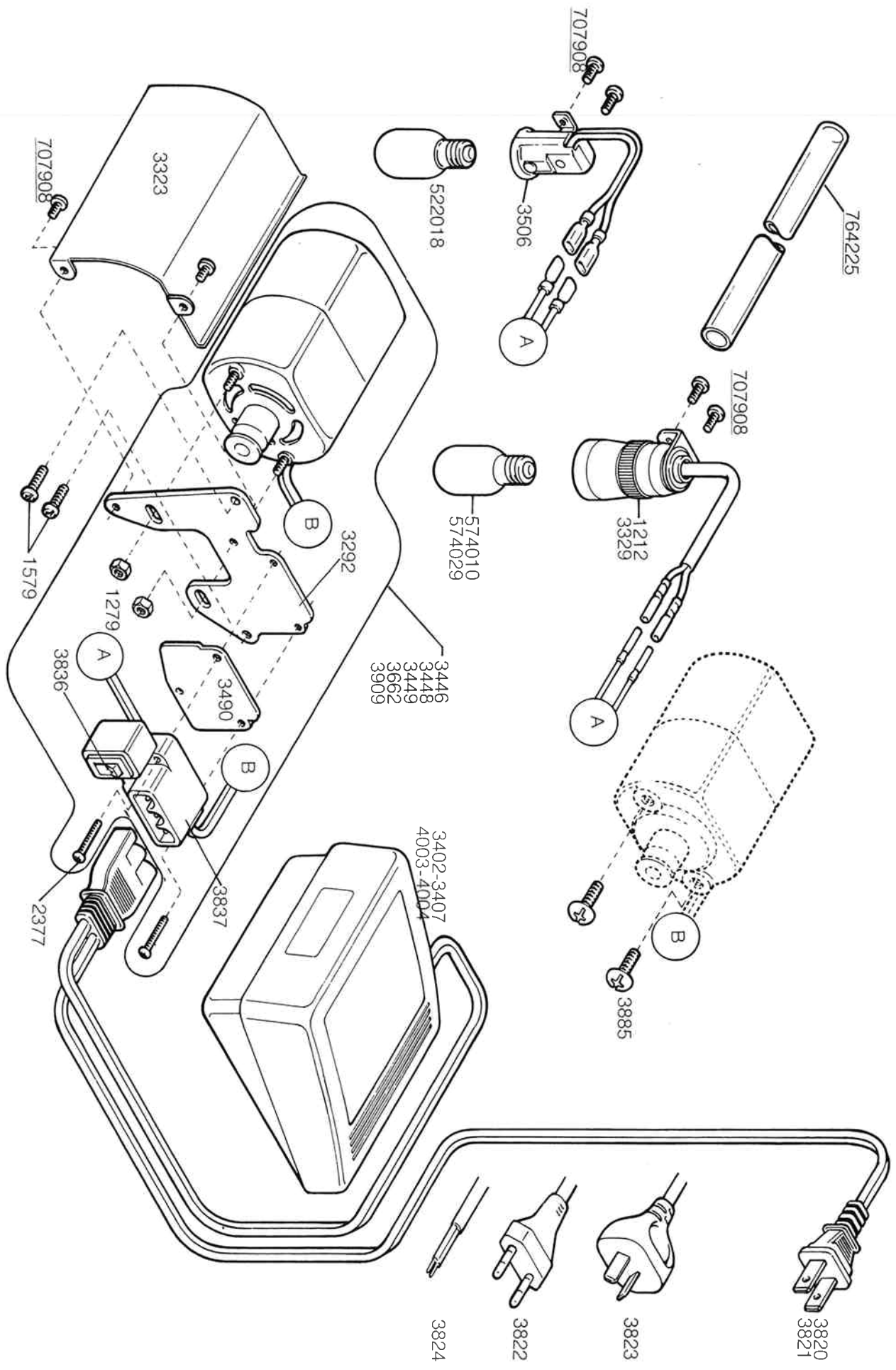
÷10,000 Validity of the parts till machine No.

10,000÷ Validity of the parts as from machine No.

PART NO.	TAVARO NO.	NAME OF PART	PART NO.	TAVARO NO.	NAME OF PART	PART NO.	TAVARO NO.	NAME OF PART
1241	395049-19	Screw TPM4X10	3578	396008-55	Tension stud type II L-5			
1312	395060-12	Nut M6	3581	396007-97	Washer 4X7X10.8			
1523	395052-18	Screw MAX8	3624	396008-03	Acc. case stop spring holder			
1546	395052-37	Screw MAX6	3654	396008-05	Lamp cover			
1579	395052-57	Screw MAX10	3663	396008-07	Cord holder (3)			
1775	395053-74	Washer 6X13X1	3678	396008-09	Tension dial thread guide			
1859	396003-23	Screw MAX8B	3717	396008-75	Thread guide pole assem. F-4			
1860	396003-24	Tension plate	3718	396009-14	Casing			
1863	396003-27	Tension spring ϕ 0.8	3720	396008-76	Front cover comp. F-4			
1866	396003-30	Tension knob	3721	396008-77	Tension plate (D) F-4			
1867	396003-31	Tension cap	3722	396008-78	Needle thread guide F-4			
1869	396003-32	Spring washer ϕ 6	3723	396008-79	Upper thread guide F-4			
1876	396003-36	Spool holder assem.	3731	396008-80	Front flap F-4			
1882	396003-39	Spool pin	3883	396008-84	Thread chart F-4 type I \div 110969			
1883	396002-10	Spool holder	3918	396008-32	Toothed lock washer ϕ 4			
1885	396002-10	Rubber foot	3919	396008-32	Seam guide decal - F-4 (inch)			
2018	396004-35	Cord holder	3923	396008-98	Seam guide decal (cm) F-4			
2038	396005-27	Slide spool pin base L-2	3927	396009-00	Fixed thread guide F-4			
2069	396004-35	Tension spring ϕ 1.1	3939	396009-04	Check spring stop F-4			
2083	396004-49	Tension dial plate, red	4005	396009-05	Protection cover F-4 type I \div 110969			
2084	396004-50	Tension dial plate, yellow	4301	396009-06	Check spring F-4			
2085	396004-51	Tension dial plate, green	4303	396009-08	Tension chart F-4 type II 112498 \div			
2086	396005-48	Tension dial plate, blue	4304	396009-10	Tension dial assem. (B- ϕ 0.08)			
2577	396008-72	Tension spring ϕ 0.9	4360	396009-11	Tension dial assem. (C- ϕ 0.9)			
3116	396007-02	Cap	560504-4	396009-13	Needle thread guide (L) - L-4			
3211	396007-10	Flush screw M3X6	560504-9	395128-14	Tension disc - Rear			
3287	396007-28	Needle bar cap	560504-10	395128-15	Tension adji. plate			
3296	396007-34	Free-arm cover	800325	395128-16	Tension stopper			
3300	396006-05	Screw M2X4B	800471	395430-00	Screw TPM 4X8			
3307	396007-39	Machine base	890061	395128-19	Washer DT			
3308	396007-40	Motor cover		395128-20	Friction washer SW 5X12X0.1			
3310	396007-41	Free-arm cover stopper spring		395464-00	Snap ring			
3311	396007-41	Spring stopper plate						
3312	396007-42	Free-arm cover stopper						
3316	396007-43	Front flap hinge						
3317	396007-45	Front flap hinge						
3318	396007-46	Front flap hinge axle						
3321	396007-47	Front flap hinge spring						
3362	396007-48	Lamp bracket						
3462	396007-51	Washer 3.5X8X0.5						
3464	396007-64	Tension dial assem. (A- ϕ 1.1)						
3469	396008-74	Tension dial assem. (D- ϕ 1.1)						
3489	396007-75	Protection cover 112498 \div						
3494	396007-80	Screw TPM4X12						
3495	396007-81	Tapping screw M3.5X12						
3496	396007-82	Allen screw MAX14						
3497	396007-83	Reflex plate - Lamp cover						
3498	396007-84	Reflex plate - Front cover						
3504	396007-89	Bolt MAX8						
3507	396007-91	Accessory case stop spring						
3571	396007-94	Front flap stop						
3576	396007-95	Tension disc - Front						
3577	396007-96	Tension stud						

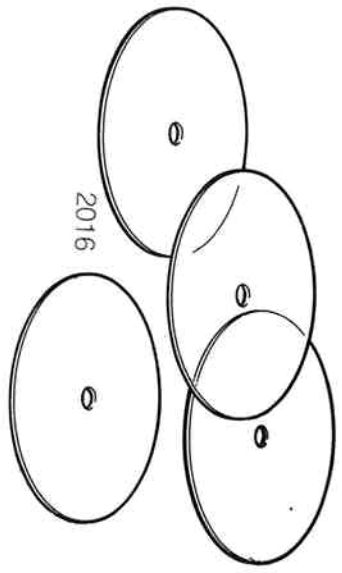
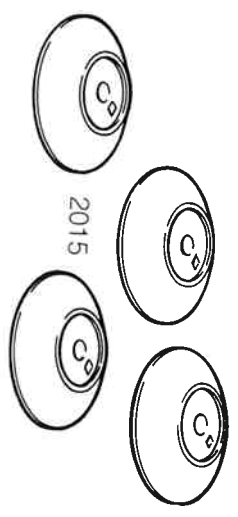
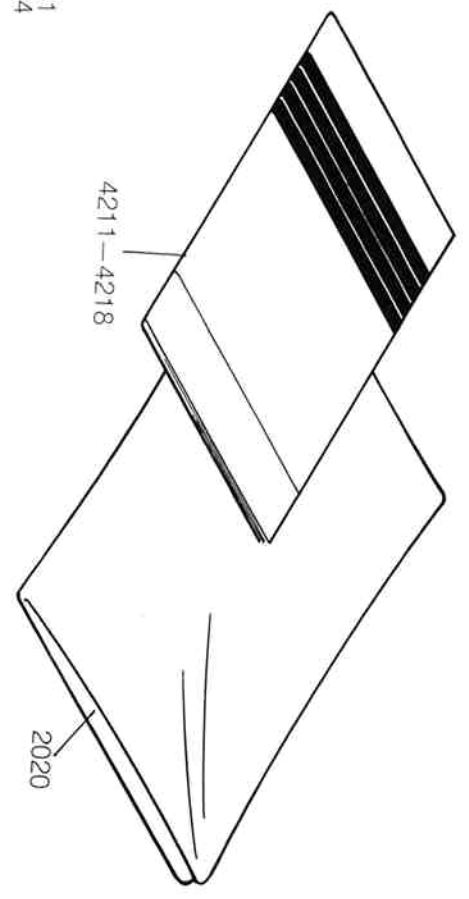
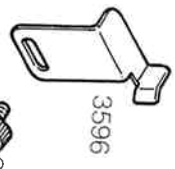
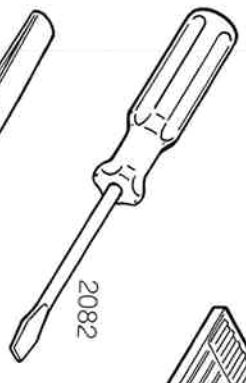
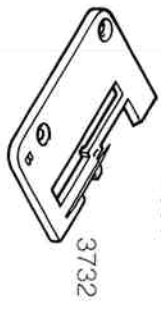
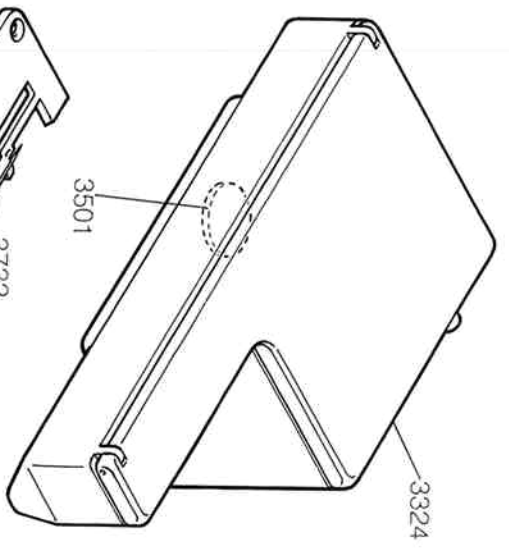


PART NO.	TAVARO NO.	NAME OF PART	PART NO.	TAVARO NO.	NAME OF PART	PART NO.	TAVARO NO.	NAME OF PART
1083	395047-23	Friction washer	3272	396007-26	Presser bar spring	4008	396009-07	Needle clamp thread guide F-4
1518	395052-15	Nut M4	3286	396007-27	Needle bar crank axle	4207	396008-70	Conical washer 3X7
1579	395052-57	Screw MAX10	3293	396007-31	Blade support guide	4392	396009-09	Upper looper F-4 type II 112498 ÷
1699	395053-23	Lower shaft collar	3294	396007-32	Cutting width control knob	4463	396009-15	Upper looper lever type II
1757	395053-63	Grub screw MAX4	3295	396007-33	Presser bar	500201-1	396008-34	Hing screw FS8
1759	395053-65	Washer STM-FM 8X1	3297	396007-35	Needle crank pin	500201-2	396008-35	Feed slide block
1874	396006-91	Screw MAX6B	3302	396007-36	Blade holder spring	700206	395402-00	Screw SM 7X8
1874	396006-91	Screw MAX6B	3305	396007-37	V-belt DC-320	705901	395421-00	Grub screw MAX5
1886	396003-41	Flywheel	3420	396007-58	Allen screw MAX8	707908	395049-39	Screw MAX5
1887	396003-42	Flywheel plate	3453	396007-62	Feed cam	800625	395128-23	Clip ring #8
1888	396003-43	Washer 4X12X2	3456	396007-63	Washer STM-FT 16X24X0.5	800626	395128-24	Clip ring #7
1891	396003-45	Main shaft bearing	3476	396007-66	Presser foot lever	800641	395469-00	Push nut φ4
1895	396003-49	Cutter rod eccentric	3478	396007-67	Cutter rod	800703	395047-44	Roll pin
1901	396003-55	Washer STM-FT 7X1	3478	396007-67	Cutter rod			
1901	396003-55	Washer STM-FT 7X1	3479	396007-68	Cutter rod axle			
1908	396003-62	Needle bar stud	3480	396007-69	Moving blade driving arm			
1913	396003-67	Upper needle bar bearing	3481	396007-70	Moving blade axle			
1914	396003-68	Lower needle bar bearing	3481	396007-70	Moving blade axle			
1920	396003-74	Foot pressure control	3482	396007-71	Moving blade axle collar			
1927	396003-76	Screw MAX8B	3483	396007-60	Moving blade			
1933	396003-78	Screw MAX8B	3484	396007-72	Cutter spring			
1935	396003-80	Looper axle bearing	3484	396007-73	Driving arm guide			
1976	396004-14	Collar φ7	3485	396007-72	Cutter spring			
1976	396004-14	Collar φ7	3486	396007-61	Fixed blade			
2092	396004-54	Feed dog support spring	3486	396007-61	Fixed blade			
2326	396004-54	Allen screw M3X8	3487	396007-74	Presser bar bearing			
2326	396004-58	Needle plate screw MAX8	3492	396007-78	Thread cutter holder			
2328	396005-50	Needle clamp set screw L-2	3492	396007-78	Thread cutter holder			
2481	396002-15	Stitch tongue set screw type II	3493	396007-79	Friction washer φ7			
2927	396006-92	Grub screw MAX12	3499	396007-85	Allen screw MAX16			
3003	396005-78	Rear needle plate screw	3500	396007-86	Cushion ring φ9			
3089	396006-93	Thread cutter	3503	396007-88	Pin 3X12			
3108	396006-94	Screw TPM 2.6X3	3504	396007-89	Bolt MAX8			
3109	396006-95	Looper axle bearing	3587	396008-01	Screw MAX25			
3110	396006-95	Looper axle bearing	3587	396008-01	Screw MAX25			
3111	396006-96	Presser bar guide	3658	396006-75	Needle clamp allen screw L-4D			
3111	396006-96	Presser bar guide	3658	396006-75	Needle clamp allen screw L-4D			
3112	396006-97	Feed dog support axle	3605	396008-08	Grub screw MAX3			
3112	396006-97	Feed dog support axle	3605	396008-08	Grub screw MAX3			
3113	396006-99	Lower looper axle	3680	396008-11	Felt washer 7X13X2			
3114	396007-00	Upper looper axle	3724	396002-85	Needle plate "A" F-4			
3115	396007-01	Crank rod	3726	396008-81	Needle bar assm. F-4			
3117	396007-03	Feed crank	3727	396008-82	Needle bar F-4			
3117	396007-03	Feed crank	3728	396008-83	Needle clamp F-4			
3118	396007-04	Needle bar crank	3729	396002-95	Presser foot L-4			
3119	396007-05	Crank rod pin	3735	396008-85	Needle guard F-4			
3120	396007-06	Forked rod	3818	396008-21	Screw MAX5B			
3121	396007-07	Lower shaft	3846	396008-29	Screw MAX5B			
3122	396007-08	Feed crank axle	3847	396008-30	Screw MAX6B			
3127	396007-09	Washer 3X8X0.5	3847	396008-30	Screw MAX6B			
3247	396007-13	Lower looper lever	3848	396008-31	Flush screw M3X12			
3251	396007-14	Ball-connecting crank ass.	3905	396008-91	Eccentric link pin - Left			
3257	396007-16	Looper eccentric	3906	396008-92	Feed lifting eccentric type II			
3258	396007-17	Feed dog support	3907	396008-93	Feed lifting roller			
3259	396007-18	Feed dog	3913	396008-94	Clip ring φ11.43			
3262	396007-21	Link	3915	396008-95	Fixed blade support F-4			
3265	396008-73	Needle bar eccentric F-4	3917	396008-96	Upper looper F-4 type I ÷ 110969			
3267	396007-23	Feed regulator	3921	396008-99	Lower looper assm. F-4			
3269	396007-24	Presser foot lever cam	3925	396009-01	Looper take up right F-4			
			3925	396009-01	Looper take up left F-4			
			3926	396009-03	Needle thread take-up lever F4			



PART NO.	TAVARO NO.	NAME OF PART	PART NO.	TAVARO NO.	NAME OF PART	PART NO.	TAVARO NO.	NAME OF PART
1212	395049-46	Lamp socket only - P01						
1279	395049-20	Motor set nut - M4						
1579	395052-57	Screw M4X10						
2377	396004-75	Screw M3X8						
3292	396007-30	Motor bracket						
3323	396007-49	Motor protection cover						
3329	396007-50	Lamp harness - 220-240V						
3402	396007-52	Foot cont. 4C-135B CSA type 0						
3403	396007-53	Foot cont. 4C-135B UL type M						
3404	396007-54	Foot cont. 4C-136G CEE type J						
3405	396007-55	Foot cont. 4C-136G SA/NZ type I						
3406	396007-56	Foot cont. 4C-136G SEV type J						
3407	396007-57	Foot cont. 4C-136G CEE type A						
3446	396007-59	Foot cont. 4C-136G SABS type B						
3448	396007-60	Motor set 3M-852J UL/CSA 115V						
3449	396007-61	Motor set 4M-804G VDE 220V						
3490	396007-76	Motor set 4M-704G 240V						
3506	396007-90	Insulation plate						
3662	396008-06	Lamp harness UL/CSA						
3736	396008-86	Motor set 4M-804G SEV 220V						
3737	396008-87	Spec. plate F-4 115V UL						
3738	396008-88	Spec. plate F-4 115V CSA						
3739	396008-89	Spec. plate F-4 SEV						
3740	396008-90	Spec. plate F-4 220V						
3820	396008-22	Spec. plate F-4 240V						
3821	396008-23	Cord set CSA						
3822	396008-24	Cord set UL						
3823	396008-25	Cord set CEE						
3824	396008-26	Cord set SAA						
3836	396008-27	Cord set SABS						
3837	396008-28	Switch T-881						
3885	396008-33	Terminal block 3SRF-2B						
3909	396008-40	Motor set screw						
4003	396008-41	Motor set DV 4M-814C(F)						
4004	396008-42	Foot cont. DV CEE plug						
4330	396009-12	Foot cont. DV UL plug						
522018	395049-62	Spec. plate F-4 DV						
567010	396008-36	Light bulb E-12 120V						
574010	395297-00	Caution mark - CSA						
574029	395297-01	Light bulb E-14 220V						
707908	395049-39	Light bulb E-14 240V						
764225	395049-31	Screw M3X5 Screw ϕ 12X14						

★ Not shown



PART NO.	TAVARO NO.	NAME OF PART	PART NO.	TAVARO NO.	NAME OF PART	PART NO.	TAVARO NO.	NAME OF PART
0203	426121	Screwdriver (small) driver						
1201	395049-43	Tweezers						
2011	396002-01	Thumb screw M4						
2014	395052-03	Spool cap						
2015	396002-07	Transparent disc						
2016	396002-08	Machine cover						
2020	396002-09	Screwdriver						
2082	396002-00	Brush						
2379	396002-12	Needle assort. 80-90						
3087	396002-27	Material waste tray						
3273	396002-49	Accessory case						
3324	396002-80	Threader set						
3391	396002-43	Spool net, 60 cm long						
3392	396002-31	Fixed blade						
3486	396002-61	Felt washer $\phi 24 \times 2$						
3501	396007-87	Cloth guide						
3596	396002-64	Aux. thread guide L-5						
3621	396006-36	Needle plate "B" F-4						
3732	396002-86	Styrofoam block set						
3771	396008-19	Carton						
3772	396008-20	Needle holder						
3800	396002-75	Blind-stem guide						
3853	396002-87	Allen screwdriver 1.5						
3897	396002-69	Gatherer support foot F-4						
3916	396002-89	Converter F-4 type I \div 110969						
3990	396002-88	Instr. manual - Eng.						
4211	396080-02	Instr. manual - Afr. + Eng.						
4212	396080-82	Instr. manual - Ger. + Fre.						
4213	396081-87	Instr. manual - Dan. + Nor.						
4214	396082-87	Instr. manual - Fin. + Swe.						
4215	396083-92	Instr. manual - Eng. + Spa.						
4216	396085-94	Instr. manual - Eng. + Dan.						
4217	396082-84	Converter F-4 type II 112498 \div						
4218	396082-83	Accessory complete set F-4 \div 110969						
4300	396002-96	Accessory comp. set 112498 \div						
4331	396002-97							
4464	396002-98							

★ Not shown