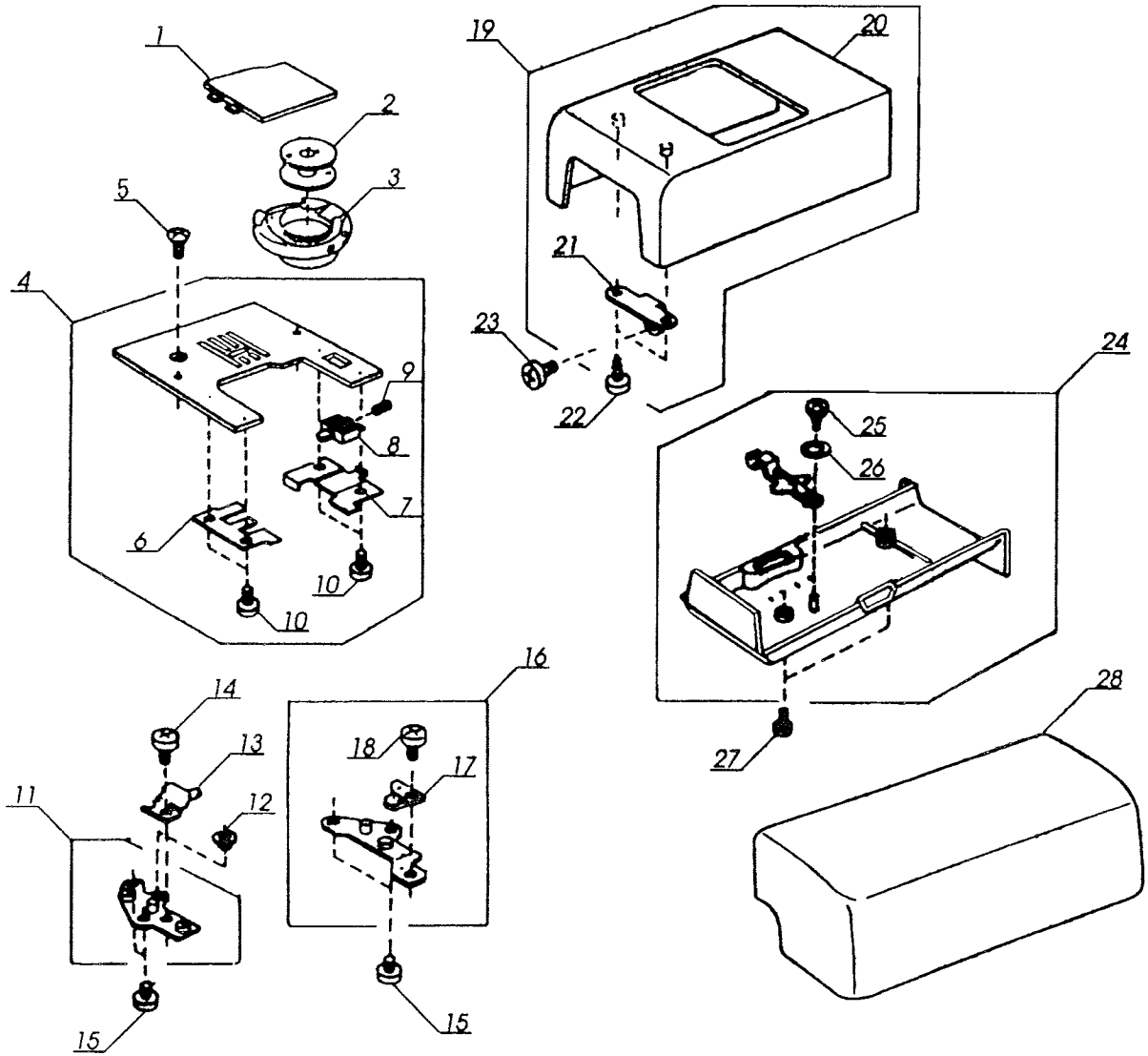


# elna 8007

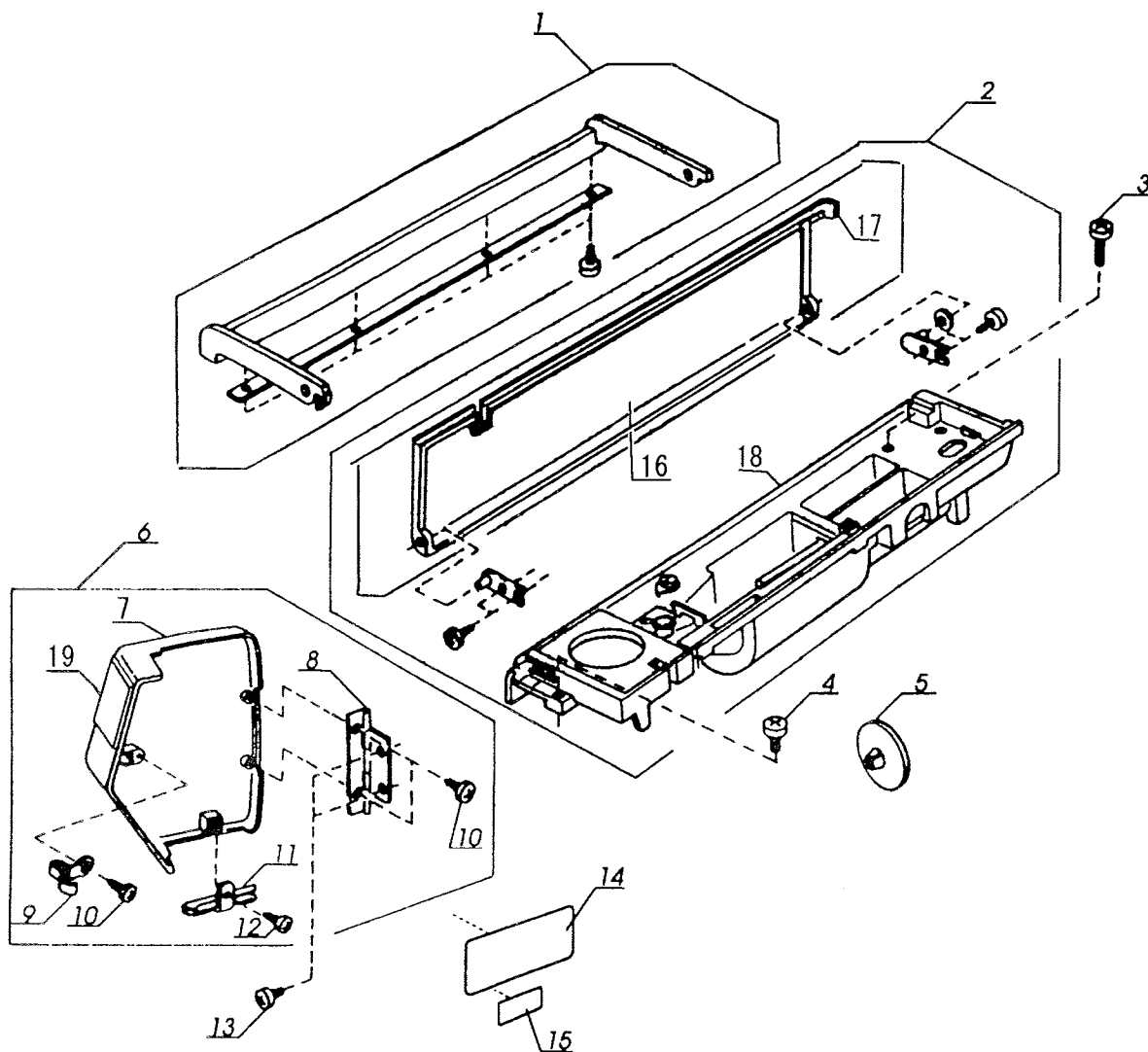
**PIECES DE RECHANGE  
ERSATZTEILE  
SPARE PARTS  
PIEZAS DE RECAMBIO**

## INDEX

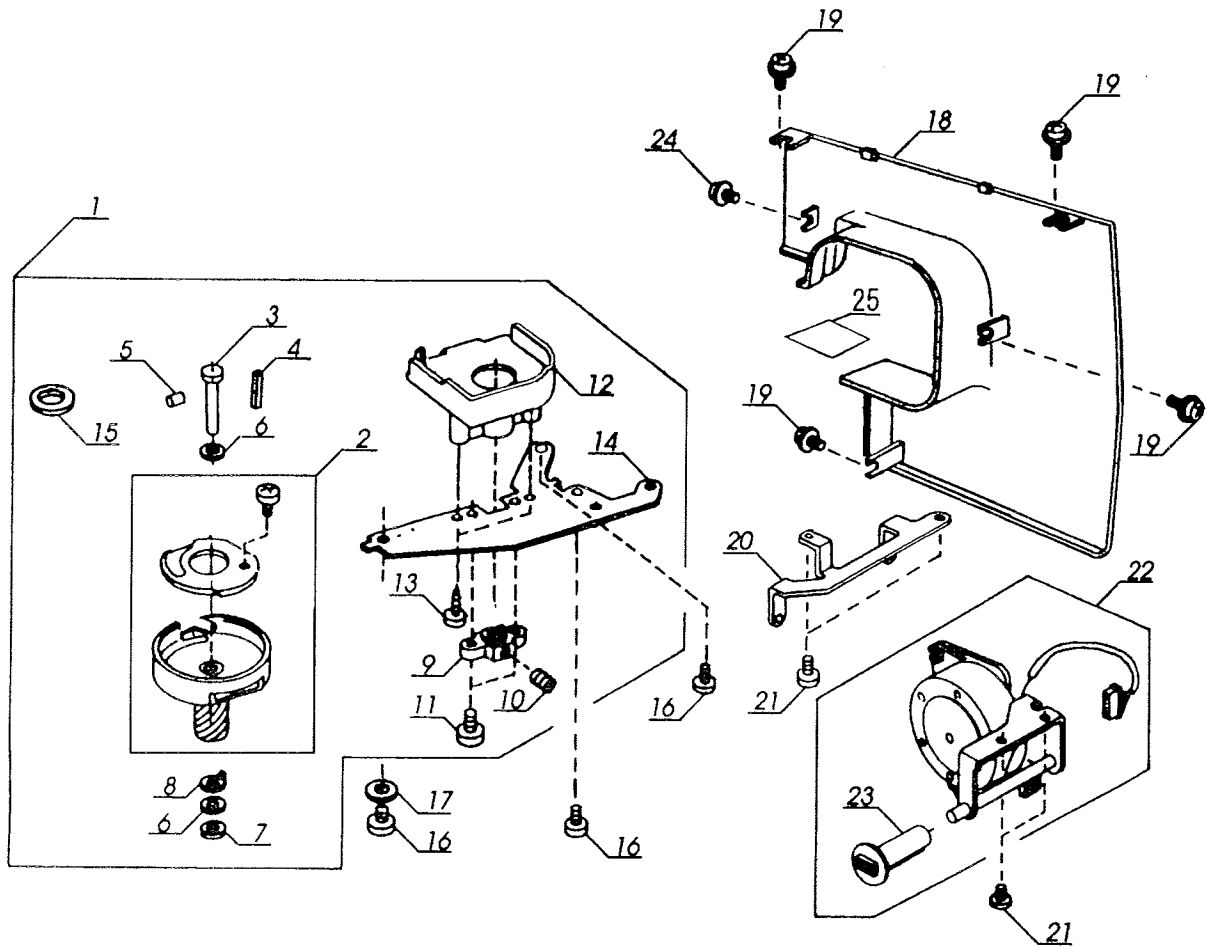
1. Accessory box, needle plate, Free arm cover, bottom cover, bobbin case.
2. Top cover, handle, face plate.
3. Hook race, feed stepping motor, rear cover.
4. Needle bar, thread tension, zigzag width rod.
5. Presser bar, presser foot, presser lever, front bracket, lamp socket/lamp.
6. Take-up lever, upper shaft, handwheel, timing belt.
7. Lower shaft, feed rock shaft, feed dog, lower shaft gear.
8. Front panel, LCD, circuit board A, circuit board F.
9. Base, machine socket, transformer, circuit board C.
10. Belt cover, belt, zigzag stepping motor, bobbin winder, motor.
11. Accessories, foot control, cord, hard cover, instruction manual.
12. - 13. Parts number index



Pos. No.	Elna No.	Name of parts
1	395'725-79	Hook cover plate
2	494'430-20	Bobbin
3	395'719-69	Bobbin holder
4	395'725-81	Needle plate unit
5	395'716-73	Set screw
6	395'713-16	Hook cover plate supporter (left)
7	395'713-17	Hook cover plate supporter (right)
8	395'713-18	Hook cover plate release button
9	395'713-19	Spring
10	395'716-72	Set screw
11	395'713-22	Needle plate set plate (left) unit
12	395'713-24	Nut
13	395'713-23	Stopper
14	395'711-06	Set screw
15	395'716-79	Set screw
16	395'713-25	Needle plate set plate (right) unit
17	395'713-26	Stopper unit
18	395'713-27	Set screw
19	395'729-52	Free arm cover unit
20	395'729-53	Free arm cover
21	395'729-54	Free arm cover set plate
22	395'713-65	Set screw
23	395'710-38	Set screw
24	395'729-55	Bed cover unit
25	395'716-93	Set screw
26	395'716-86	Washer
27	395'711-12	Set screw
28	395'729-56	Extension box unit

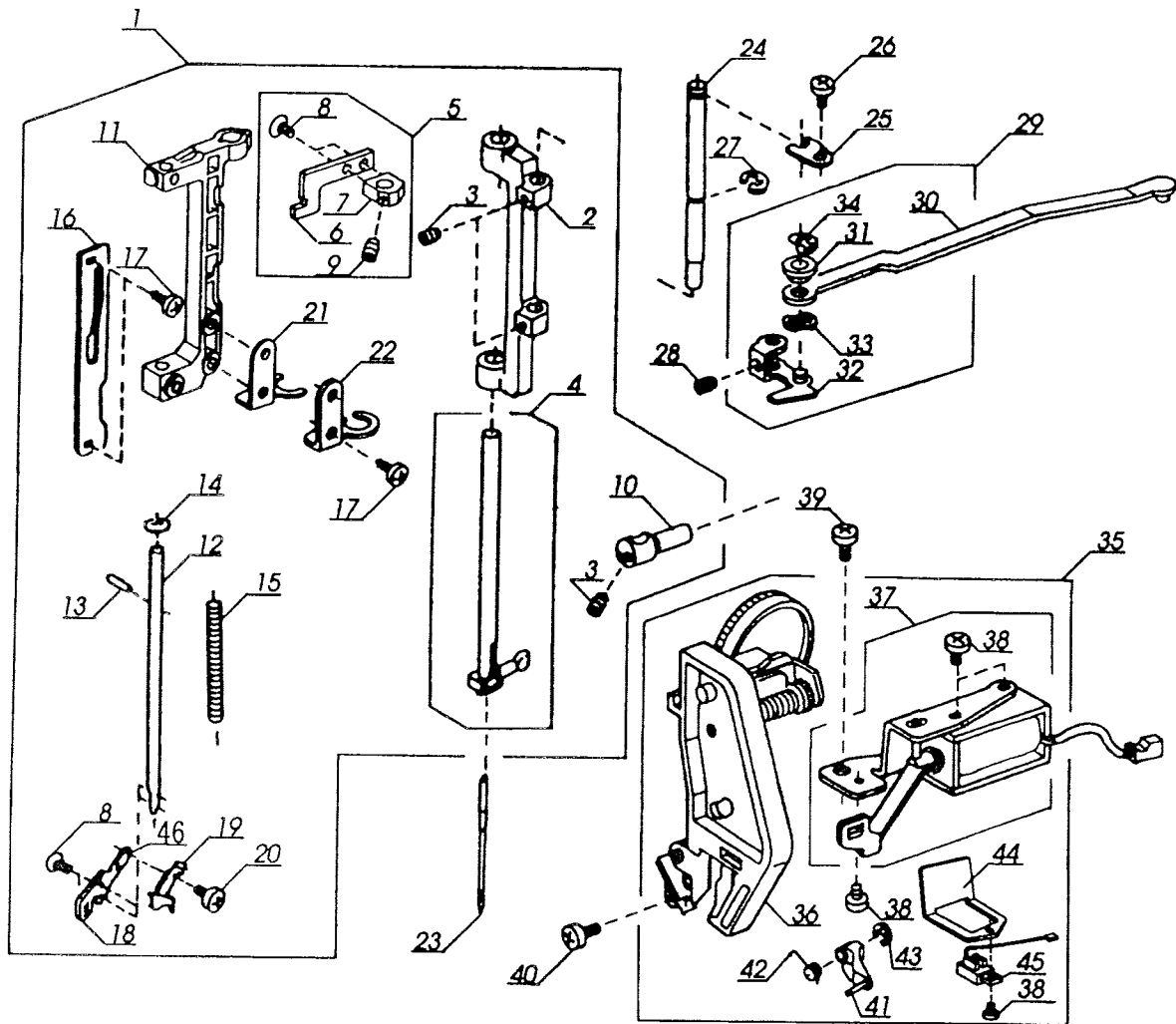


Pos. No.	Elna No.	Name of parts
1	395'717-00	Handle unit
2	395'737-27	Top cover unit for English, French & German
3	395'717-25	Set screw
4	395'710-42	Set screw
5	395'719-39	Spool holder (large)
6	395'737-32	Face plate unit
7	395'729-59	Face plate
8	395'713-50	Face plate hinge unit
9	395'713-48	Face plate spring
10	395'713-65	Set screw
11	395'717-48	Thread cutter unit
12	395'716-94	Set screw
13	395'717-49	Set screw
14	395'710-84	Sticker for USA only
	395'737-00	Sticker for Canada
15	395'737-01	Sticker for USA only
16	395'737-21	Reference chart (English, French & German)
17	395'737-15	Top cover
18	395'737-35	Top cover base
19	395'737-17	Ornamental plate

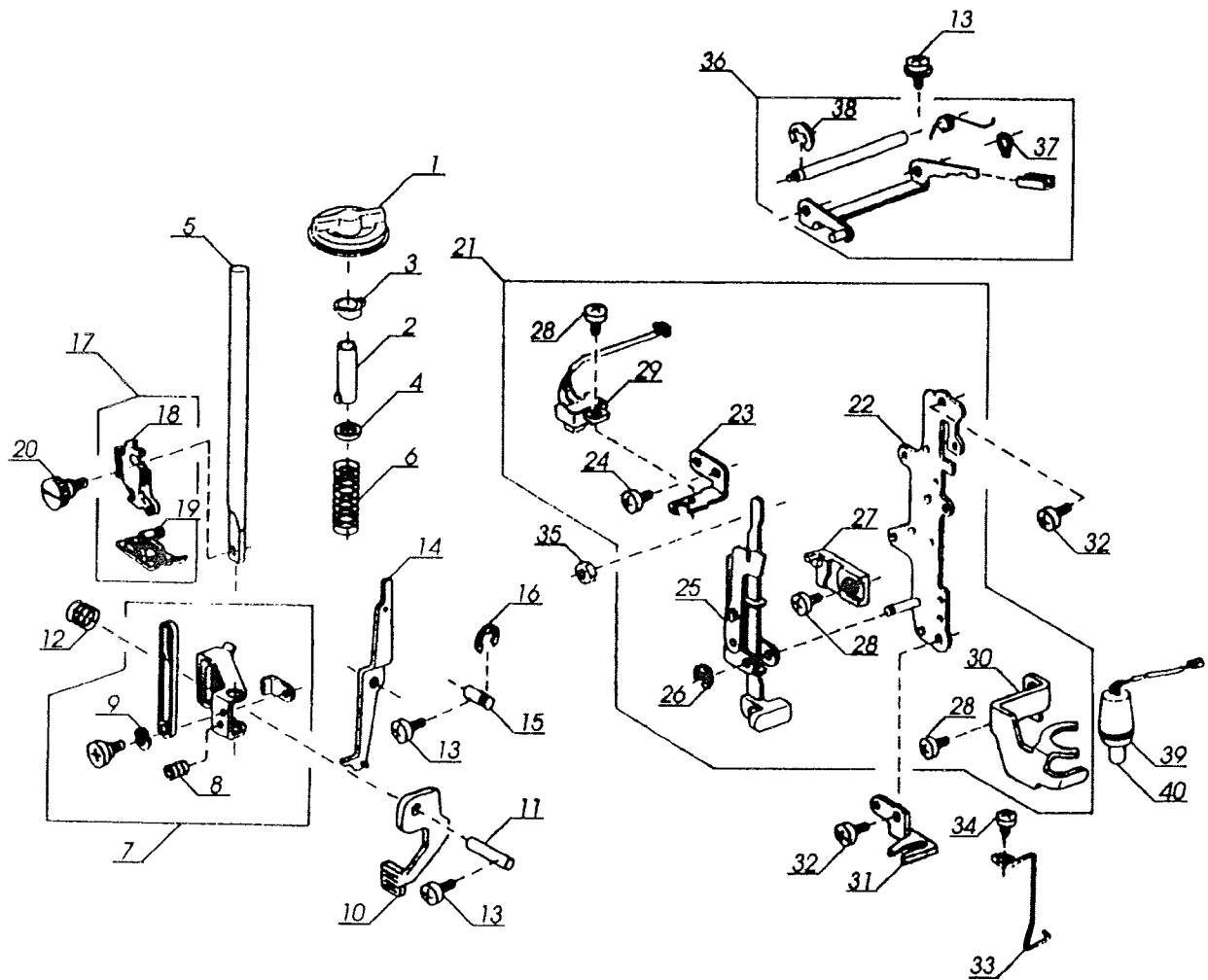


Pos. No.	Elna No.	Name of parts
1	395'729-61	Hook race complete unit
2	395'729-62	Hook race unit
3	395'714-74	Hook race shaft
4	395'714-75	Oil wick (1)
5	395'714-76	Oil wick (2)
6	395'717-29	Washer
7	395'714-78	Washer
8	395'714-79	Washer
9	395'714-80	Hook race shaft set plate
10	395'711-25	Set screw
11	395'710-42	Set screw
12	395'726-23	Hook race cover
13	395'714-82	Set
14	395'726-24	Hook race set plate
15	395'714-86	Magnet
16	395'717-36	Set screw
17	395'714-23	Washer
18	395'729-63	Rearcover
19	395'715-50	Set screw
20	395'729-64	Cover set plate
21	395'717-51	Set screw
22	395'729-65	Feed stepping motor unit
23	395'729-66	Adjusting knob
24	395'710-41	Set screw
25	395'737-10	Carriage sticker

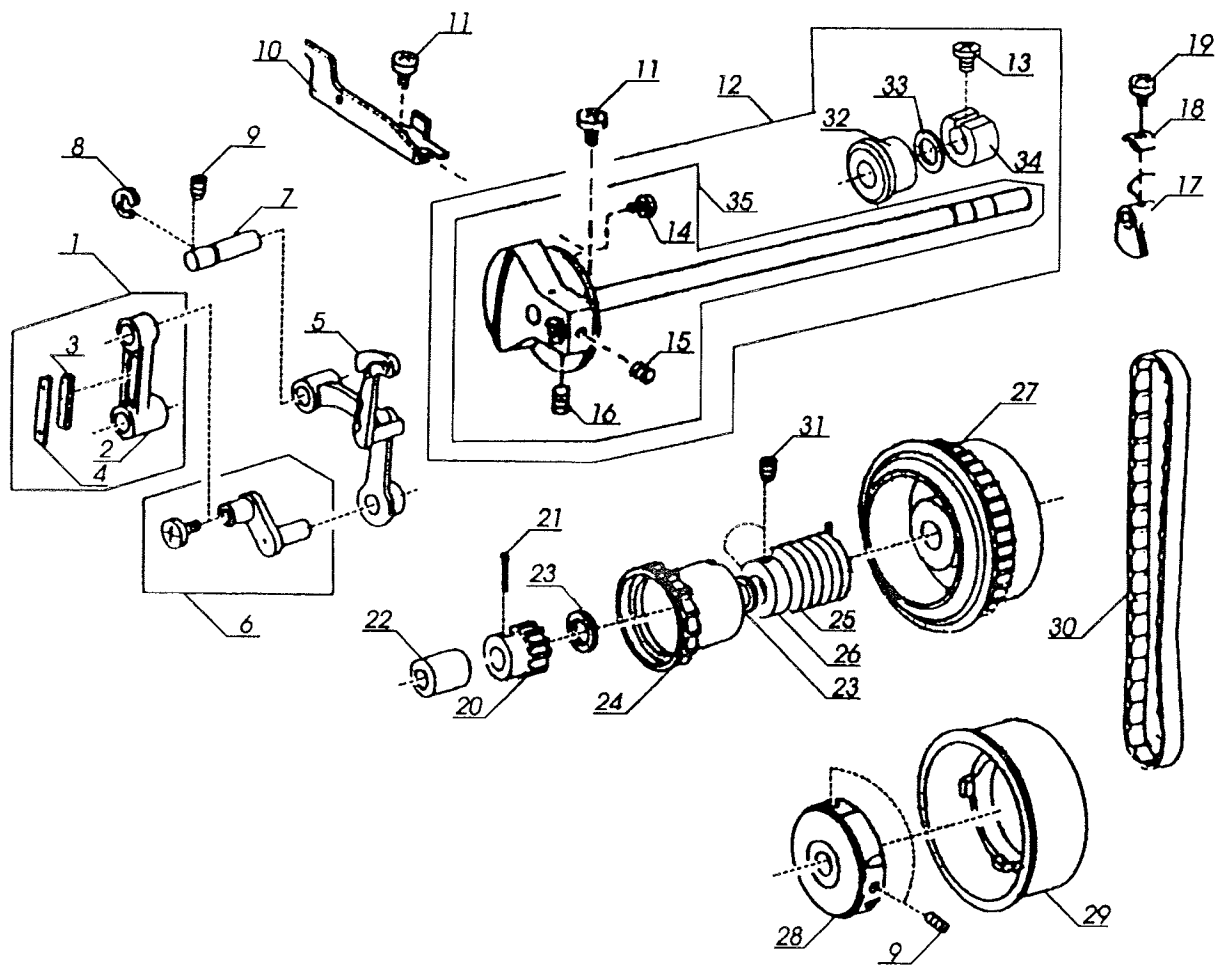




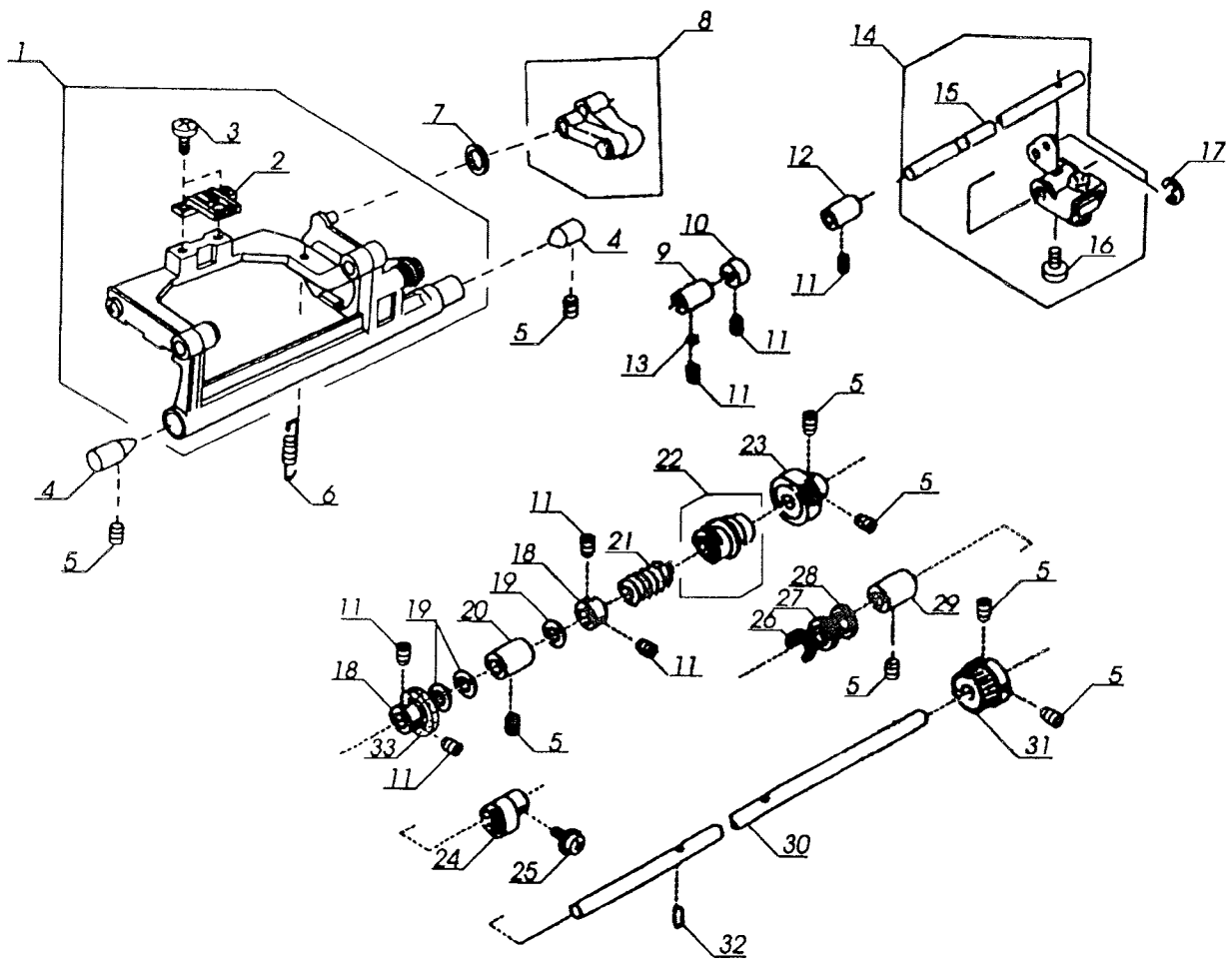
Pos. No.	Elna No.	Name of parts
1	395'737-28	Needle bar supporter unit
2	395'723-56	Needle bar supporter
3	395'712-14	Set screw
4	395'729-68	Needle bar unit
5	395'718-23	Threader position set plate unit
6	395'718-24	Set plate
7	395'718-25	Threader position set holde
8	395'728-26	Set screw
9	395'718-21	Set screw
10	395'718-27	Needle bar connecting stud complete unit
11	395'718-28	Threader frame
12	395'718-29	Threader bar
13	395'718-30	Pin
14	395'718-31	Holding plate
15	395'718-32	Threader bar spring
16	395'718-33	Threader guide plate
17	395'718-34	Set screw
18	395'718-36	Knob
19	395'718-37	Threader plate unit
20	395'718-38	Set screw
21	395'718-39	Threader frame spring
22	395'718-40	Threader frame (lower)
23	395'714-30	Needle
24	395'714-35	Needle bar supporter shaft
25	395'714-36	Needle bar supporter shaft stopping plate
26	395'717-51	Set screw
27	395'710-96	Snap ring
28	395'714-39	Set screw
29	395'737-26	Zigzag width rod unit
30	395'737-16	Zigzag width rod
31	395'729-72	Zigzag width arm bushing
32	395'729-73	Zigzag width arm
33	395'710-90	Washer
34	395'711-03	Snap ring
35	395'737-33	Thread tension complete unit
36	395'737-23	Thread tension unit
37	395'729-76	Solenoid unit
38	395'711-06	Set screw 3 x 5
39	395'718-10	Set screw
40	395'717-76	Set screw
41	395'717-74	Thread detection lever unit
42	395'717-75	Detection lever spring
43	395'713-99	Snap ring
44	395'737-20	Protecting plate
45	395'734-60	Solenoid unit
46	395'718-35	Lever



Pos. No.	Elna No.	Name of parts
1	395'717-79	Pressure adjusting dial
2	395'717-81	Presser bar bushing
3	395'717-80	Pressure adjusting cam
4	395'717-82	Plain washer
5	395'717-83	Presser bar
6	395'717-84	Presser bar spring
7	395'717-88	Presser bar supporter
8	395'710-94	Set screw
9	395'717-39	Washer
10	395'729-77	Presser bar lifter
11	395'714-22	Presser bar lifter pin
12	395'714-20	Spring
13	395'718-10	Set screw
14	395'729-78	Tension releasing lever
15	395'717-97	Tension releasing lever pin
16	395'711-24	Snap ring
17	395'729-79	Presser foot unit
18	395'717-86	Foot holder unit
19	395'719-67	Zigzag foot unit
20	395'717-87	Thumb screw
21	395'737-24	Front bracket unit
22	395'729-81	Front bracket
23	395'718-01	Sensor set plate
24	395'713-96	Set screw
25	395'718-02	Buttonhole lever unit
26	395'711-03	Snap ring
27	395'727-16	Buttonhole lever guide
28	395'711-06	Set screw
29	395'729-82	Photo sensor unit
30	395'729-83	Lamp set plate
31	395'729-84	Threader guide
32	395'717-36	Set screw
33	395'729-85	Arm thread guide
34	395'717-51	Set screw
35	395'710-39	Hexagonal nut
36	395'729-86	Pressure functioning arm unit
37	395'718-15	Grip ring
38	395'710-96	Snap ring
39	395'723-43	Lamp socket unit
40	395'722-99	Halogen lamp

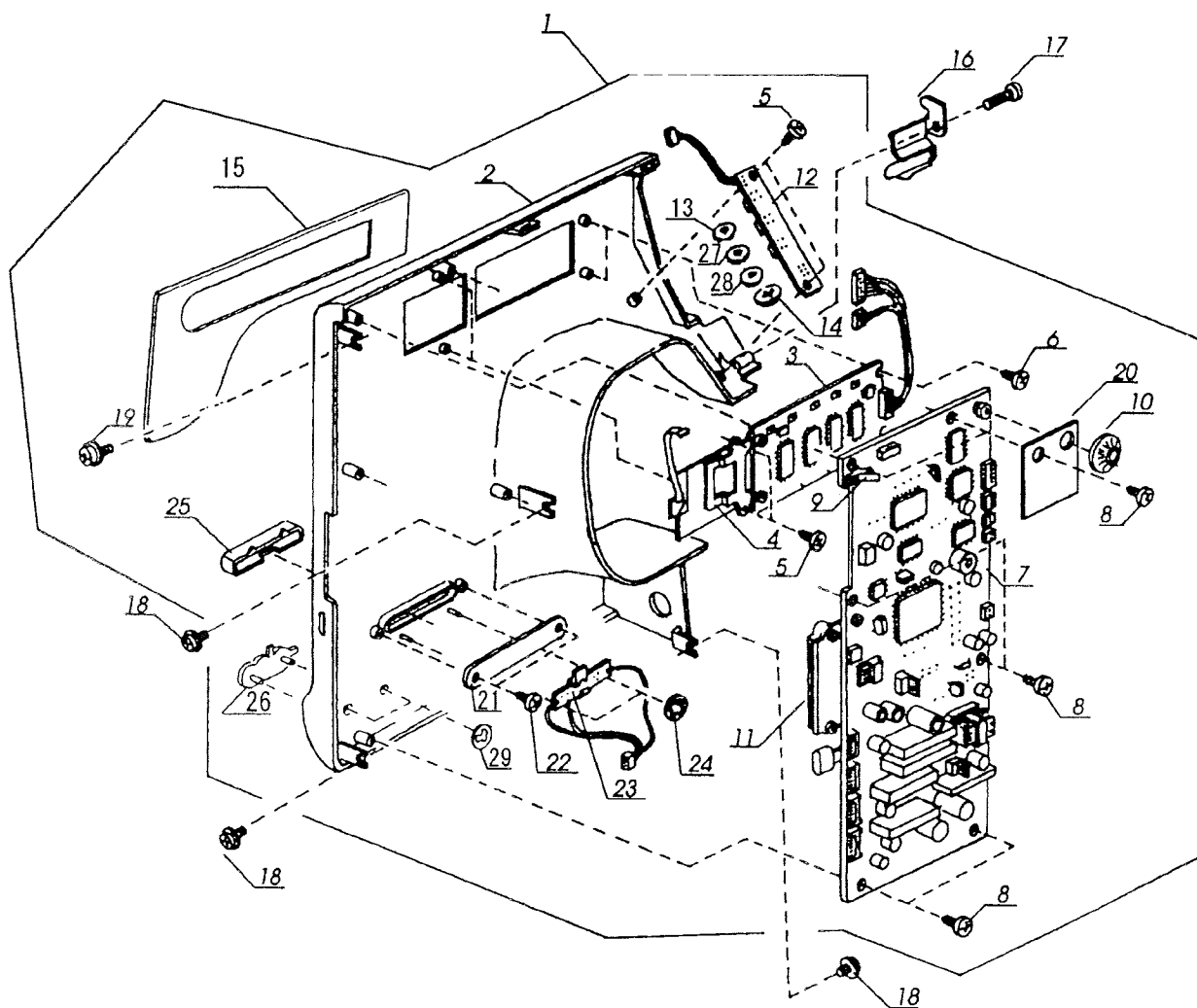


Pos. No.	Elna No.	Name of parts
1	395'718-51	Needle bar crank rod unit
2	395'718-52	Needle bar crank rod
3	395'714-33	Felt
4	395'714-34	Spring
5	395'723-68	Thread take-up lever unit
6	395'723-67	Needle bar crank pin unit
7	395'714-54	Pin
8	395'714-55	Snap ring
9	395'712-14	Set screw
10	395'729-87	Cord guide (1)
11	395'717-51	Set screw
12	395'737-14	Upper shaft unit
13	395'712-61	Set screw
14	395'716-07	Set screw
15	395'729-89	Set screw
16	395'711-63	Set screw
17	395'718-59	Upper shaft shielding plate
18	395'718-60	Plain washer
19	395'710-42	Set screw
20	395'718-61	Upper shaft timing wheel
21	395'718-62	Spring pin
22	395'714-45	Bushing (rear)
23	395'729-90	Washer
24	395'718-63	Declutch releasing ring
25	395'718-64	Clutch spring
26	395'718-65	Clutch ring
27	395'718-66	Belt wheel
28	395'718-67	Hand wheel base
29	395'718-68	Hand wheel
30	395'714-47	Timing belt
31	395'711-25	Set screw
32	395'737-03	Upper shaft front bushing
33	395'727-25	Washer
34	395'737-05	Ring
35	395'737-11	Upper shaft unit

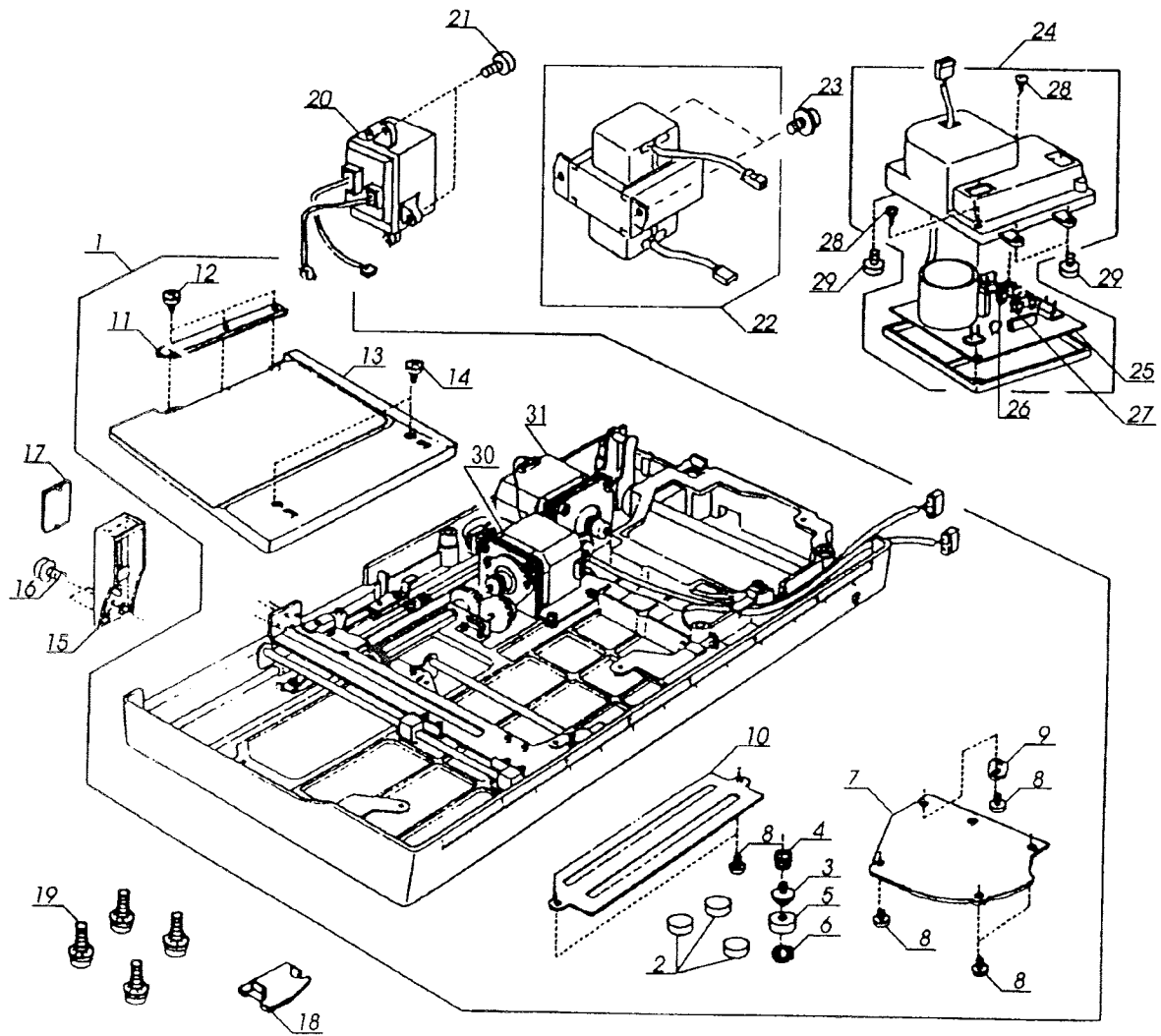


Pos. No.	Elna No.	Name of parts
1	395'729-91	Feed rock shaft unit
2	395'726-11	Feed dog
3	395'727-65	Set screw
4	395'723-62	Screw center
5	395'711-25	Set screw
6	395'714-68	Spring
7	395'718-44	Washer
8	395'714-70	Feed regulator unit
9	395'715-30	Bushing (front)
10	395'715-33	Ring
11	395'712-14	Set screw
12	395'715-31	Bushing (rear)
13	395'715-32	Washer
14	395'729-92	Feed shaft unit
15	395'718-77	Feed shaft
16	395'718-78	Set screw
17	395'711-03	Snap ring
18	395'715-00	Lower shaft ring
19	395'718-87	Washer
20	395'715-02	Lower shaft bushing (front)
21	395'715-01	Feed lifting cam spring
22	395'729-93	Feed lifting cam unit
23	395'714-97	Lower shaft gear
24	395'727-57	Feed cam
25	395'715-16	Set screw
26	395'718-88	Felt holder
27	395'712-42	Felt (1)
28	395'712-37	Washer
29	395'715-03	Lower shaft bushing (rear)
30	395'729-94	Lower shaft
31	395'718-86	Lower shaft timing gear
32	395'714-99	Feed lifting pin
33	395'711-61	Felt

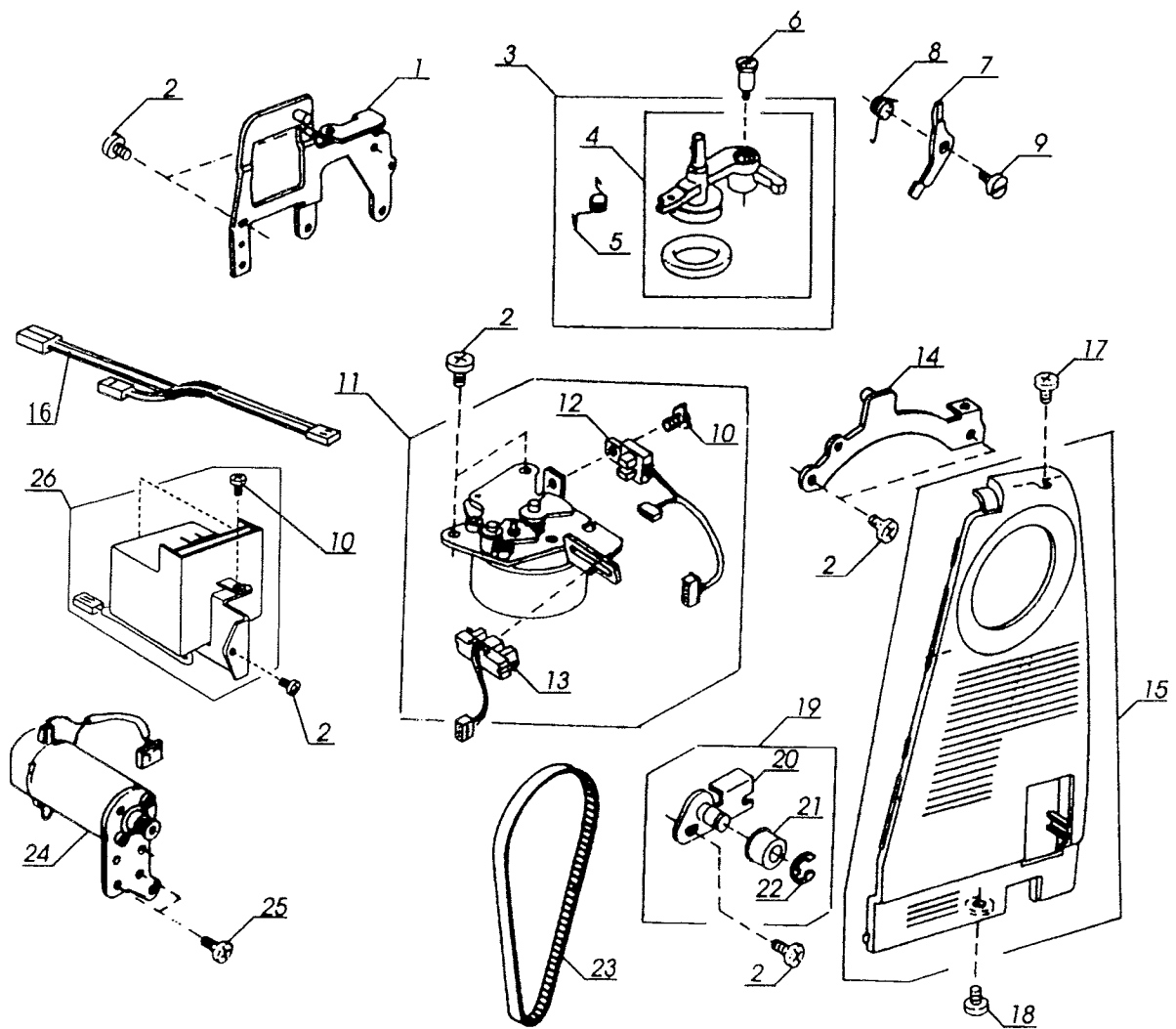




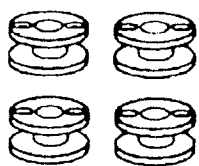
Pos. No.	Elna No.	Name of parts
1	395'737-37	Front panel unit
2	395'737-31	Front panel
3	395'737-36	LCD unit
4	395'729-98	LCD set plate
5	395'713-65	Set screw
6	395'729-99	Set screw
7	395'737-34	"A" board unit (Specify the LCD language when ordering this item.)
8	395'710-35	Set screw
9	395'732-01	Switch cover unit
10	395'732-02	LCD adjusting knob
11	395'732-03	Card guide (1)
12	395'732-04	"F" board unit
13	395'732-05	Button (2)
14	395'737-18	Button
15	395'737-19	Ornamental plate
16	395'722-21	Arm thread guide (lower)
17	395'722-22	Set screw
18	395'715-50	Set screw
19	395'732-07	Set screw
20	395'732-08	Insulating paper
21	395'737-04	Speed set lever cover
22	395'716-94	Set screw
23	395'737-02	Slide volume unit
24	395'710-42	CS ring
25	395'737-06	Speed set lever
26	395'710-48	Name plate
27	395'732-10	Button
28	395'732-11	Button
29	395'710-42	CS ring



Pos. No.	Elna No.	Name of parts
1	395'737-25	Base complete unit
2	395'722-25	Rubber cushion
3	395'722-26	Adjusting screw
4	395'722-27	Spring
5	395'722-28	Rubber cushion
6	395'722-29	CS ring
7	395'732-13	Base lid (2)
8	395'722-44	Set screw
9	395'732-14	Washer
10	395'732-15	Base lid (1)
11	395'732-16	Carriage window frame unit
12	395'717-19	Set screw
13	395'732-17	Base cover unit
14	395'722-53	Set screw
15	395'732-18	Carriage plate unit
16	395'732-19	Set screw
17	395'732-20	Cover lid
18	395'732-21	Base lid (3)
19	395'732-22	Set screw
20	395'732-23	Machine socket unit for U.S.A. & Canada
	395'737-09	Machine socket unit for 220-240V
21	395'712-61	Set screw
22	395'732-25	Transformer unit for U.S.A. & Canada
	395'732-26	Transformer unit for 220-240v
23	395'732-27	Set screw
24	395'732-28	"C" board complete unit for U.S.A.
	395'737-13	"C" board complete unit for Canada
	395'732-29	"C" board complete unit for 220-240v
25	395'732-30	"C" board unit for U.S.A.
	395'737-12	"C" board unit for Canada
	395'732-31	"C" board unit for 220-240V
26	395'727-84	Fuse AC 250V, 3.15A for U.S.A.
	395'734-05	Fuse AC 250V, 3A for Canada
	395'727-85	Fuse AC 250v. 5A for 220-240V
27	395'727-82	Fuse ac 125v, 2.5A for U.S.A. & Canada
	395'727-83	Fuse ac 250v, 2A for 220-240V
28	395'722-10	Set screw
29	395'717-36	Set screw
30	395'732-48	Stepping motor (Y)
31	395'732-49	Stepping motor (X)



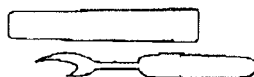
<b>Pos. No.</b>	<b>Elna No.</b>	<b>Name of parts</b>
1	395'732-32	Handle base plate (front)
2	395'717-51	Set screw
3	395'732-33	Bobbin winder unit (complete)
4	395'722-78	Bobbin winder unit
5	395'737-07	Spring
6	395'722-80	Hinge screw
7	395'722-81	Declutch arm
8	395'722-82	Spring
9	395'722-83	Hinge screw
10	395'711-06	Set screw
11	395'732-34	Zigzag width stepping motor
12	395'732-35	Photo sensor unit
13	395'722-63	Photo sensor
14	395'732-36	Handle base plate (rear)
15	395'732-37	Belt cover unit
16	395'737-22	Cord
17	395'715-16	Set screw
18	395'710-60	Set screw
19	395'732-39	Idler unit
20	395'732-40	Idler set plate
21	395'722-74	Idler
22	395'711-34	Snap ring ft
23	395'722-69	Timing belt
24	395'732-41	Motor unit
25	395'722-71	Set screw
26	395'737-29	Inverter unit



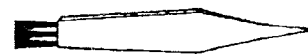
1



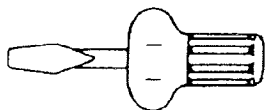
2



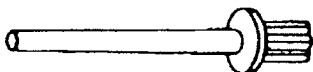
3



4



5



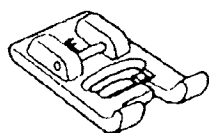
6



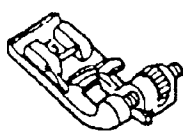
7



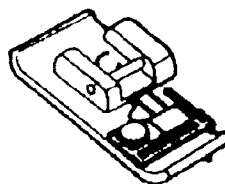
8



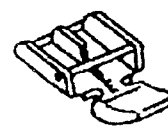
9



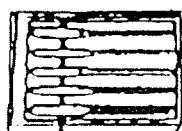
10



11



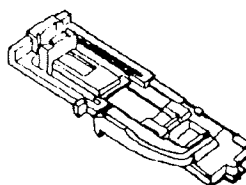
12



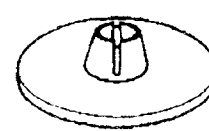
13



14



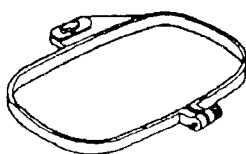
15



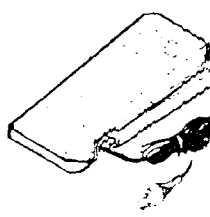
16



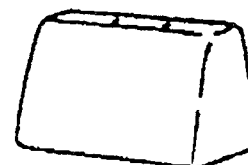
17



18



19



20



21



22



23

<b>Pos. No.</b>	<b>Elna No.</b>	<b>Name of parts</b>
1	494'430-20	Bobbin
2	395'719-41	Threading felt
3	395'719-44	Seam ripper
4	395'719-36	Lint brush
5	395'710-09	Screwdriver (large)
6	395'719-42	Spool pin
7	395'719-38	Spool holder (small)
8	395'721-98	Embroidery foot (P)
9	395'719-32	Satin stitch foot (F)
10	395'719-35	Blind stitch foot (G)
11	395'719-46	Overlock foot (C)
12	395'719-64	Zipper foot (E)
13	395'719-37	Set of needles
14	395'719-63	Spool holder
15	395'719-30	Buttonhole foot (R)
16	395'719-39	Spool holder (large)
17	395'730-22	Instruction manual (English)
	395'730-21	Instruction manual (German)
	395'730-27	Instruction manual (French)
18	395'721-51	Embroidery hoop
19	395'722-91	Foot control
20	395'719-74	Hard resin cover
21	395'722-01	Power supply cord (U.S.A. & Canada)
	395'722-02	Power supply cord (Australia & New Zealand)
	395'722-00	Power supply cord (Continental Europe)
	395'722-03	Power supply cord (Great Britain, Hong Kong & Singapore)
22	395'730-62	Supplementary sheet (English)
	395'730-61	Supplementary sheet (German)
	395'730-67	Supplementary sheet (French)
23	395'737-08	Tag
	395'732-42	Carton box
	395'732-43	Set of styro-foams



Number	Page	Number	Page	Number	Page	Number	Page
395'710-09	11	395'714-45	6	395'717-82	5	395'719-32	11
395'710-35	8	395'714-47	6	395'717-83	5	395'719-35	11
395'710-38	1	395'714-54	6	395'717-84	5	395'719-36	11
395'710-39	5	395'714-55	6	395'717-86	5	395'719-37	11
395'710-41	3	395'714-68	7	395'717-87	5	395'719-38	11
395'710-42	2, 3, 6, 8	395'714-70	7	395'717-88	5	395'719-39	02,11
395'710-48	8	395'714-74	3	395'717-97	5	395'719-41	11
395'710-60	10	395'714-75	3	395'718-01	5	395'719-42	11
395'710-84	2	395'714-76	3	395'718-02	5	395'719-44	11
395'710-90	4	395'714-78	3	395'718-10	04,05	395'719-46	11
395'710-94	5	395'714-79	3	395'718-15	5	395'719-63	11
395'710-96	4, 5	395'714-80	3	395'718-21	4	395'719-64	11
395'711-03	4, 5, 7	395'714-82	3	395'718-23	4	395'719-67	5
395'711-06	1, 4, 5, 10	395'714-86	3	395'718-24	4	395'719-69	1
395'711-12	1	395'714-97	7	395'718-25	4	395'719-74	11
395'711-24	5	395'714-99	7	395'718-27	4	395'721-51	11
395'711-25	3, 6, 7	395'715-00	7	395'718-28	4	395'721-98	11
395'711-34	10	395'715-01	7	395'718-29	4	395'722-00	11
395'711-61	7	395'715-02	7	395'718-30	4	395'722-01	11
395'711-63	6	395'715-03	7	395'718-31	4	395'722-02	11
395'712-14	4, 6, 7	395'715-16	7,10	395'718-32	4	395'722-03	11
395'712-37	7	395'715-30	7	395'718-33	4	395'722-10	9
395'712-42	7	395'715-31	7	395'718-34	4	395'722-21	8
395'712-61	6, 9	395'715-32	7	395'718-35	4	395'722-22	8
395'713-16	1	395'715-33	7	395'718-36	4	395'722-25	9
395'713-17	1	395'715-50	3, 8	395'718-37	4	395'722-26	9
395'713-18	1	395'716-07	6	395'718-38	4	395'722-27	9
395'713-19	1	395'716-72	1	395'718-39	4	395'722-28	9
395'713-22	1	395'716-73	1	395'718-40	4	395'722-29	9
395'713-23	1	395'716-79	1	395'718-44	7	395'722-44	9
395'713-24	1	395'716-86	1	395'718-51	6	395'722-53	9
395'713-25	1	395'716-93	1	395'718-52	6	395'722-63	10
395'713-26	1	395'716-94	2, 8	395'718-59	6	395'722-69	10
395'713-27	1	395'717-00	2	395'718-60	6	395'722-71	10
395'713-48	2	395'717-19	9	395'718-61	6	395'722-74	10
395'713-50	2	395'717-25	2	395'718-62	6	395'722-78	10
395'713-65	1, 2, 8	395'717-29	3	395'718-63	6	395'722-80	10
395'713-96	5	395'717-36	3, 5, 9	395'718-64	6	395'722-81	10
395'713-99	4	395'717-39	5	395'718-65	6	395'722-82	10
395'714-20	5	395'717-48	2	395'718-66	6	395'722-83	10
395'714-22	5	395'717-49	2	395'718-67	6	395'722-91	11
395'714-23	3	395'717-51	3,4,5,6,10	395'718-68	6	395'722-99	5
395'714-30	4	395'717-74	4	395'718-77	7	395'723-43	5
395'714-33	6	395'717-75	4	395'718-78	7	395'723-56	4
395'714-34	6	395'717-76	4	395'718-86	7	395'723-62	7
395'714-35	4	395'717-79	5	395'718-87	7	395'723-67	6
395'714-36	4	395'717-80	5	395'718-88	7	395'723-68	6
395'714-39	4	395'717-81	5	395'719-30	11	395'725-79	1

Number	Page	Number	Page	Number	Page	Number	Page
395'725-81	1	395'730-22	11	395'737-01	2		
395'726-11	7	395'730-27	11	395'737-02	8		
395'726-23	3	395'730-61	11	395'737-03	6		
395'726-24	3	395'730-62	11	395'737-04	8		
395'727-16	5	395'730-67	11	395'737-05	6		
395'727-25	6	395'732-01	8	395'737-06	8		
395'727-57	7	395'732-02	8	395'737-07	10		
395'727-65	7	395'732-03	8	395'737-08	11		
395'727-82	9	395'732-04	8	395'737-09	9		
395'727-83	9	395'732-05	8	395'737-10	3		
395'727-84	9	395'732-07	8	395'737-11	6		
395'727-85	9	395'732-08	8	395'737-12	9		
395'728-26	4	395'732-10	8	395'737-13	9		
395'729-52	1	395'732-11	8	395'737-14	6		
395'729-53	1	395'732-13	9	395'737-15	2		
395'729-54	1	395'732-14	9	395'737-16	4		
395'729-55	1	395'732-15	9	395'737-17	2		
395'729-56	1	395'732-16	9	395'737-18	8		
395'729-59	2	395'732-17	9	395'737-19	8		
395'729-61	3	395'732-18	9	395'737-20	4		
395'729-62	3	395'732-19	9	395'737-21	2		
395'729-63	3	395'732-20	9	395'737-22	10		
395'729-64	3	395'732-21	9	395'737-23	4		
395'729-65	3	395'732-22	9	395'737-24	5		
395'729-66	3	395'732-23	9	395'737-25	9		
395'729-68	4	395'732-25	9	395'737-26	4		
395'729-72	4	395'732-26	9	395'737-27	2		
395'729-73	4	395'732-27	9	395'737-28	4		
395'729-76	4	395'732-28	9	395'737-29	10		
395'729-77	5	395'732-29	9	395'737-31	8		
395'729-78	5	395'732-30	9	395'737-32	2		
395'729-79	5	395'732-31	9	395'737-33	4		
395'729-81	5	395'732-32	10	395'737-34	8		
395'729-82	5	395'732-33	10	395'737-35	2		
395'729-83	5	395'732-34	10	395'737-36	8		
395'729-84	5	395'732-35	10	395'737-37	8		
395'729-85	5	395'732-36	10	494'430-20	1, 11		
395'729-86	5	395'732-37	10				
395'729-87	6	395'732-39	10				
395'729-89	6	395'732-40	10				
395'729-90	6	395'732-41	10				
395'729-91	7	395'732-42	11				
395'729-92	7	395'732-43	11				
395'729-93	7	395'732-48	9				
395'729-94	7	395'732-49	9				
395'729-98	8	395'734-05	9				
395'729-99	8	395'734-60	4				
395'730-21	11	395'737-00	2				