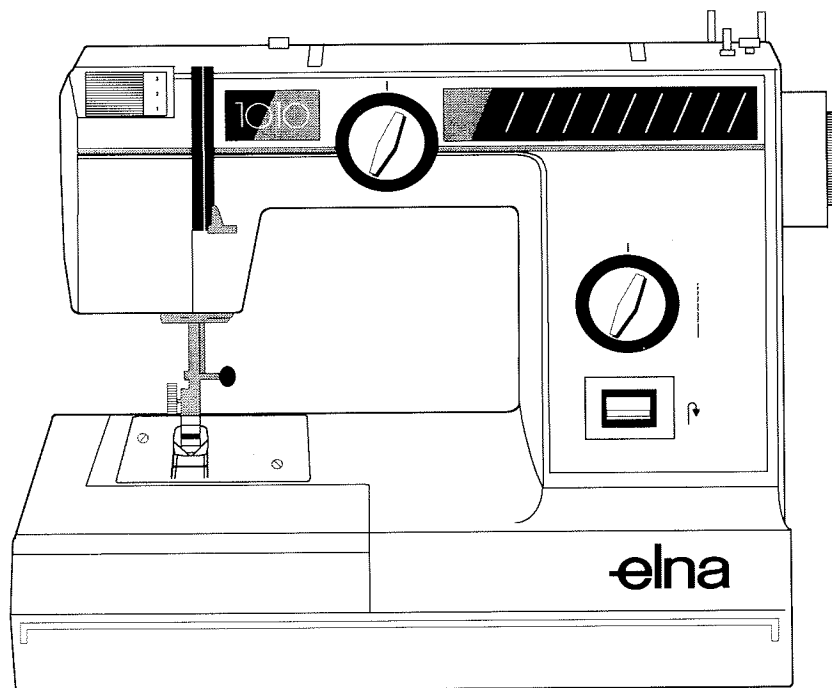


# PARTS LIST



**elna** 1010

March 1997

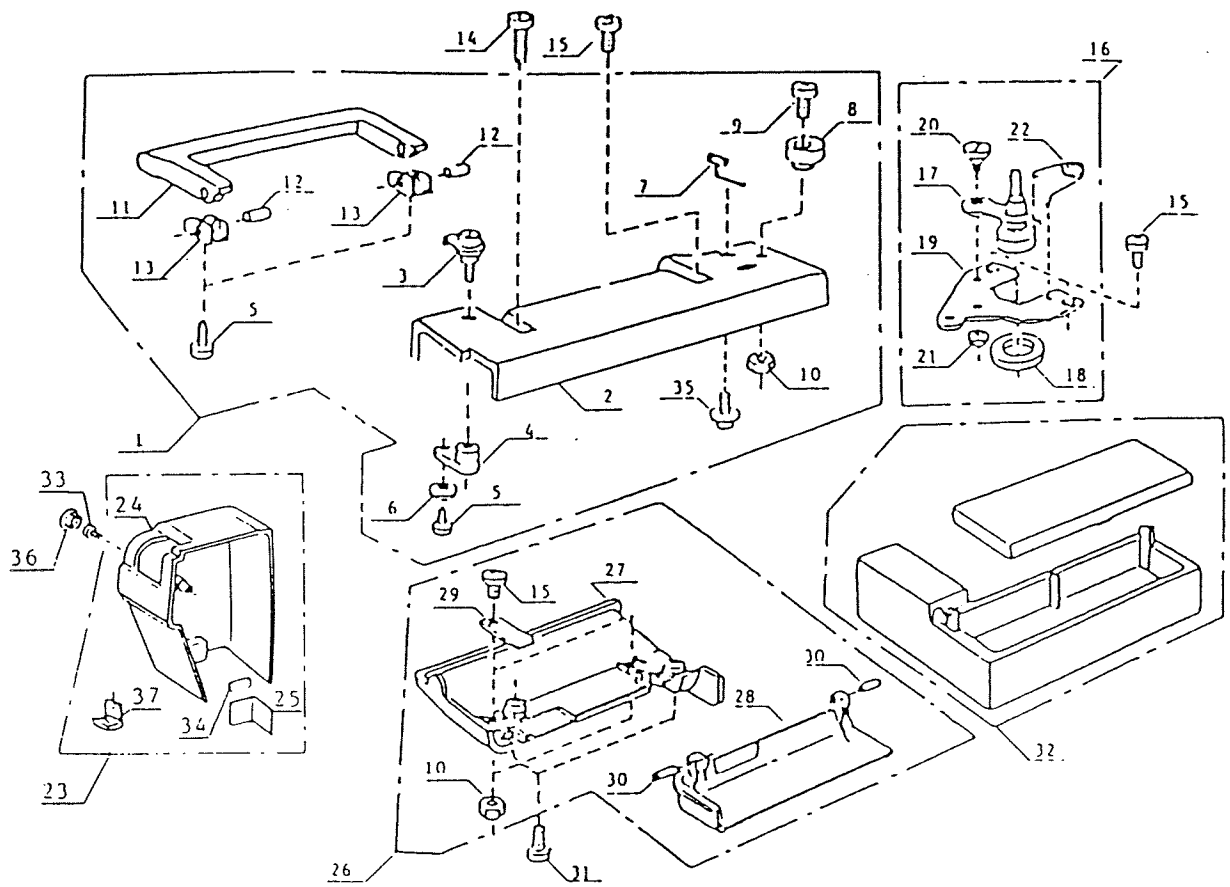
395 901-80

PRINTED IN SWITZERLAND

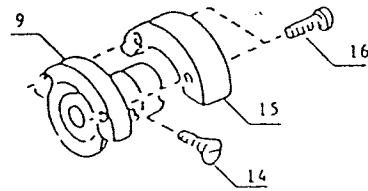
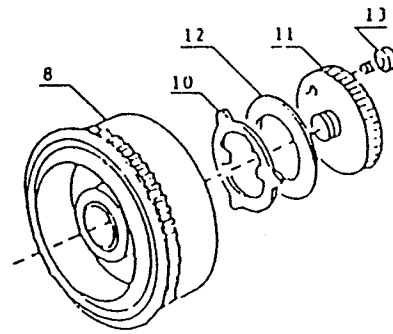
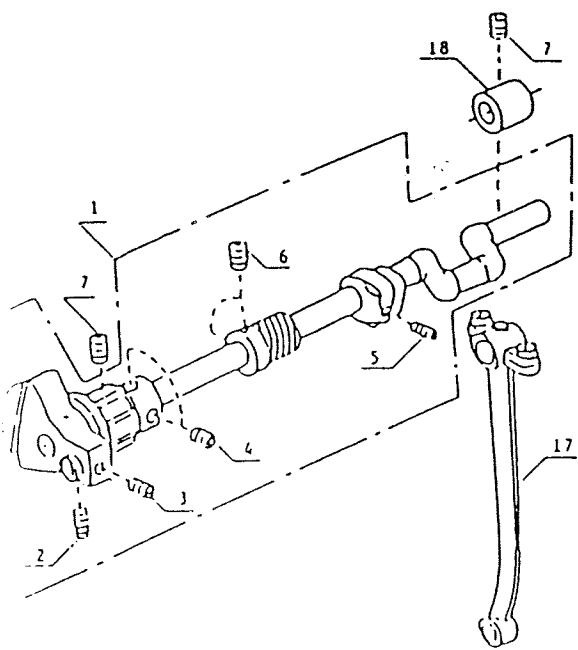
## INDEX

1. Upper cover, handle, bobine winder, extension table, face plate.
2. Upper shaft, handwheel.
3. Zigzag mechanism, front panel, stitch length dial.
4. Needle bar, take-up lever, needle bar supporter.
5. Lamp socket, front bracket, presser bar, spool pin, tension unit, foot holder.
6. Feed rock shaft, feed dog, feed lift arm.
7. Lower shaft, needle plate, hook, bobbin case.
8. Motor, foot control, belt cover, switch connector, base, belt.
9. Accessories, instruction manuals.

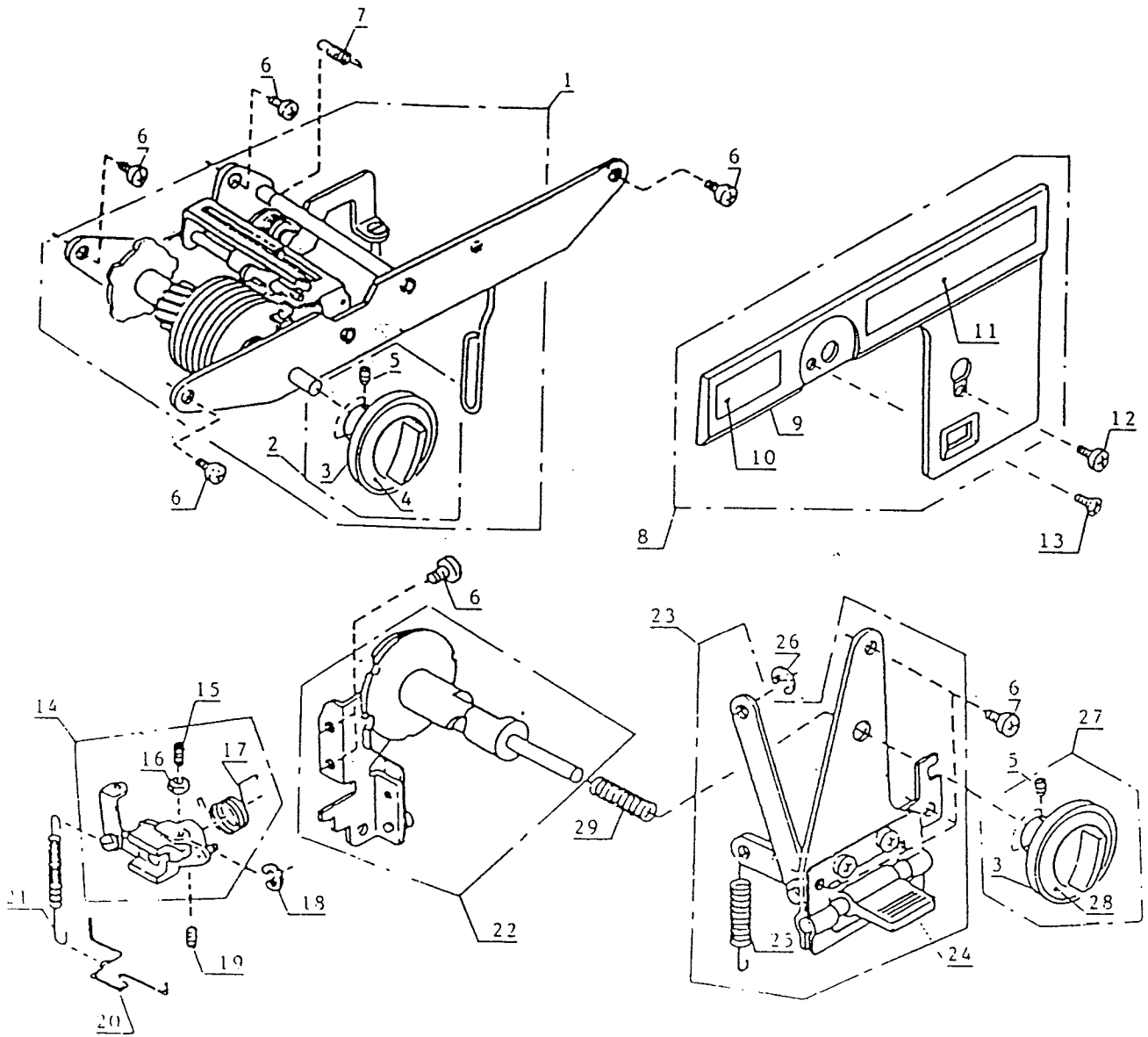
Ref. No.	Elna part No.	Designation
1	395 728-00	Top cover unit
2	395 728-01	Top cover
3	395 710-50	Thread guide
4	395 713-71	Thread guide holder
5	395 714-82	Set screw
6	395 716-86	Washer
7	395 728-02	Thread guide
8	395 728-03	Stopper
9	395 726-35	Set screw
10	395 710-39	Nut
11	395 728-04	Handle
12	395 728-05	Pin
13	395 728-06	Handle set plate
14	395 727-78	Set screw
15	395 710-38	Set screw
16	395 728-08	Bobbin winder unit
17	395 728-09	Bobbin winder arm unit
18	395 715-77	Bobbin winder ring
19	395 728-10	Bobbin winder base
20	395 728-11	Hinge screw
21	395 728-12	Nut
22	395 728-13	Spring
23	395 728-14	Face plate unit
24	395 728-15	Face plate
25	395 728-16	Sticker
26	395 728-17	Bed cover unit
27	395 728-18	Bed cover
28	395 728-19	Hook cover
29	395 710-37	Spring
30	395 728-20	Spring pin
31	395 711-12	Set screw
32	395 728-21	Extension table unit
33	395 713-79	Set screw
34	395 728-22	Sticker
35	395 728-23	Set screw
36	395 710-61	Lid
37	395 710-69	Thread cutter



Ref. No.	Elna part No.	Designation
1	395 728-24	Upper shaft unit
2	395 711-46	Set screw
3	395 714-43	Set screw
4	395 711-25	Hexagon socket screw
5	395 711-55	Set screw
6	395 712-14	Hexagon socket screw
7	395 714-39	Hexagon socket screw
8	395 728-25	Balance wheel
9	395 728-26	Bushing
10	395 728-27	Stop motion washer
11	395 728-28	Stop motion large screw
12	395 728-29	Washer
13	395 728-30	Stop motion small screw
14	395 728-31	Set screw
15	395 728-32	Balance weight
16	395 728-33	Set screw
17	395 728-34	Crank rod unit
18	395 711-60	Bushing

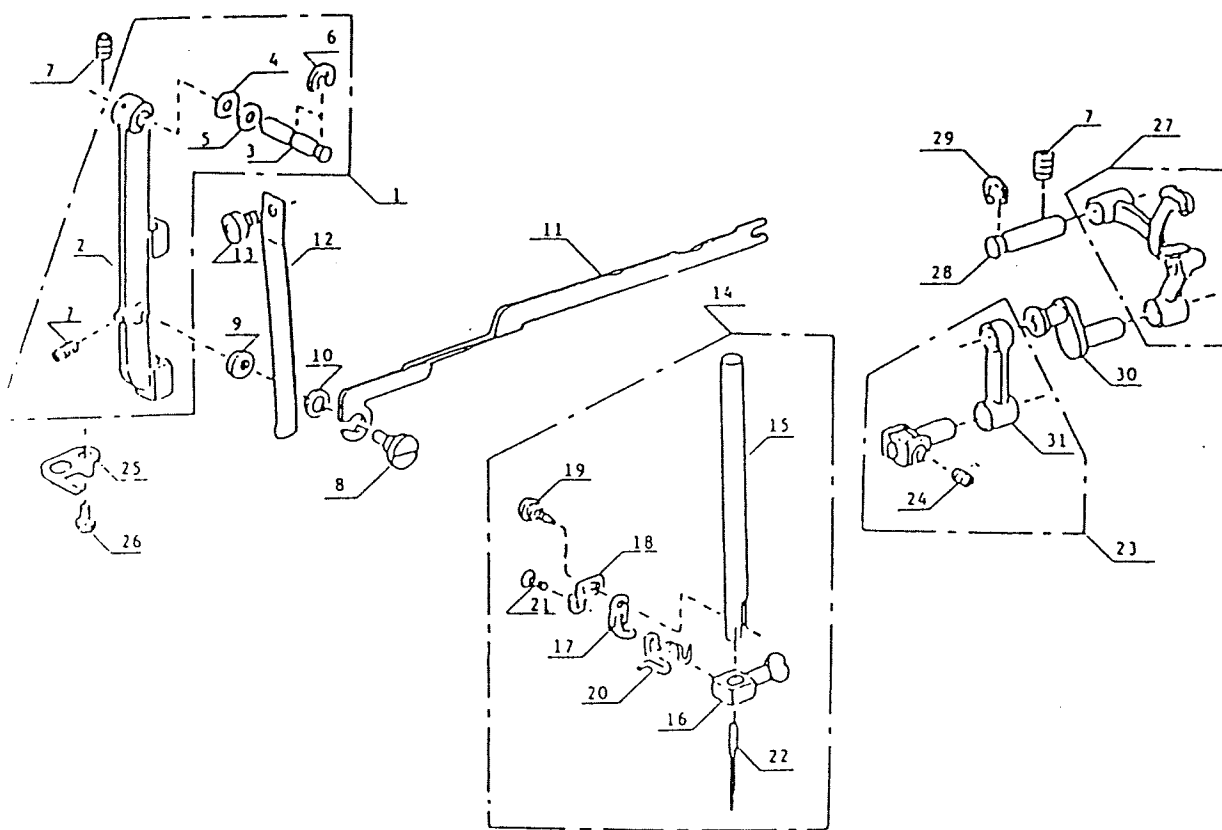


<b>Ref. No.</b>	<b>Elna part No.</b>	<b>Designation</b>
1	395 728-35	Zigzag mechanism unit
2	395 728-36	Zigzag dial unit
3	395 728-39	Dial
4	395 728-40	Zigzag width indicating plate
5	395 712-14	Hexagon socket screw
6	395 710-38	Set screw
7	395 728-41	Spring
8	395 728-42	Front panel unit
9	395 728-43	Front panel
10	395 728-44	Ornamental plate
11	395 728-45	Ornamental plate
12	395 728-46	Set screw
13	395 728-47	Set screw
14	395 728-48	Feed regulator
15	395 711-98	Set screw
16	395 710-51	Nut
17	395 712-00	Spring
18	395 728-49	Snap ring
19	395 728-50	Hexagon socket screw
20	395 728-51	Spring holder
21	395 712-05	Spring
22	395 728-52	Feed adjusting cam unit
23	395 728-53	Reverse lever unit
24	395 728-54	Reverse lever
25	395 728-55	Spring
26	395 711-03	Snap ring
27	395 728-56	Stitch length dial unit
28	395 728-57	Stitch length indicating plate
29	395 728-58	Spring

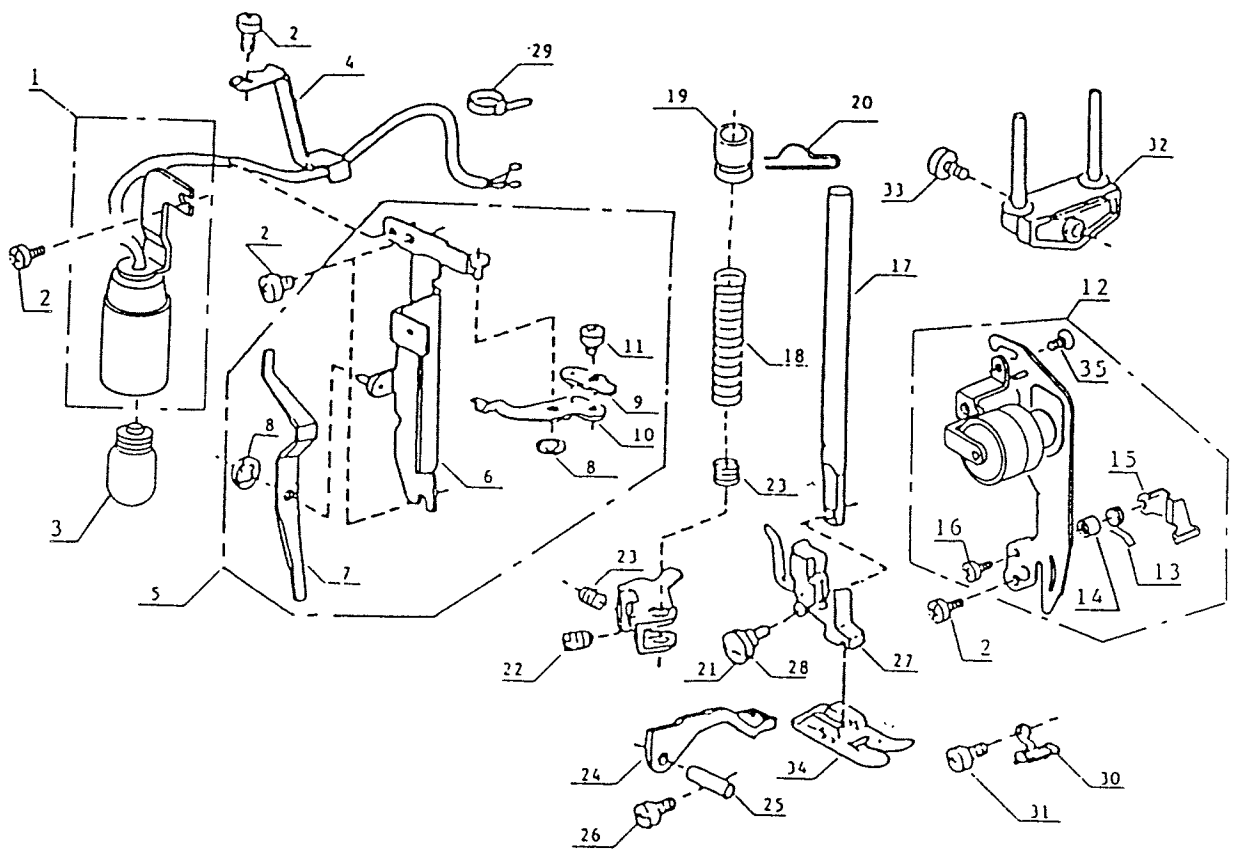




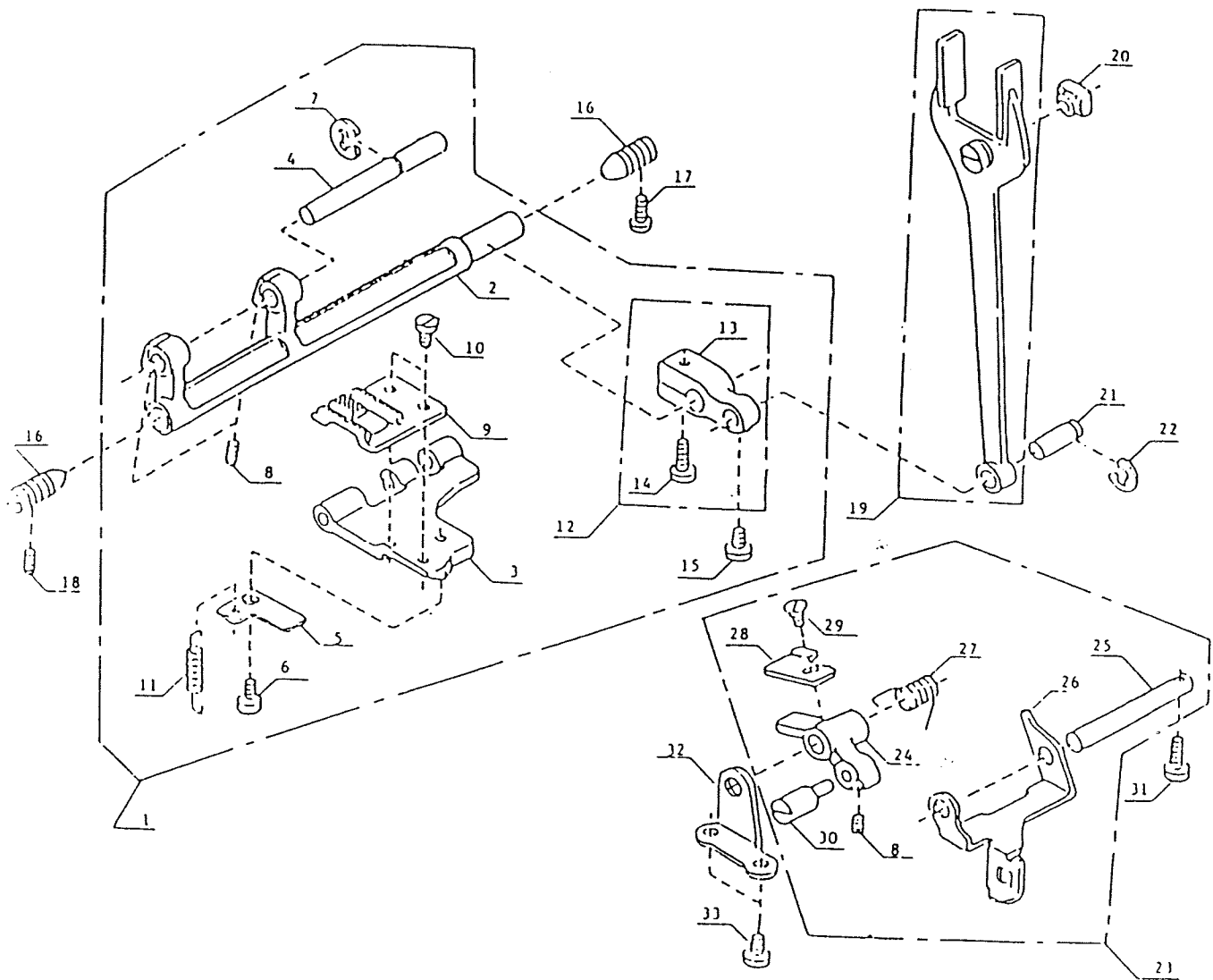
<b>Ref. No.</b>	<b>Elna part No.</b>	<b>Designation</b>
1	395 728-59	Needle bar supporter unit
2	395 728-60	Needle bar supporter
3	395 728-61	Pin
4	395 711-22	Washer
5	395 711-23	Washer
6	395 711-24	Snap ring
7	395 711-25	Hexagon socket screw
8	395 711-29	Eccentric pin
9	395 711-27	Washer
10	395 711-28	Washer
11	395 728-62	Zigzag rod
12	395 711-14	Spring
13	395 710-38	Set screw
14	395 728-63	Needle bar unit
15	395 718-64	Needle bar
16	395 711-35	Needle clamp unit
17	395 711-37	Needle guide plate
18	395 728-65	Needle clamp holding plate
19	395 711-40	Hinge screw
20	395 728-66	Needle bar thread guide
21	395 711-38	Set screw
22	395 714-30	Needle, size 14
23	395 711-31	Needle bar connecting stud unit
24	395 712-14	Hexagon socket screw
25	395 728-67	Stopper
26	395 728-68	Bolt
27	395 728-69	Thread take-up lever unit
28	395 728-70	Pin
29	395 711-34	Snap ring
30	395 728-71	Needle bar crank pin unit
31	395 728-72	Needle bar crank rod



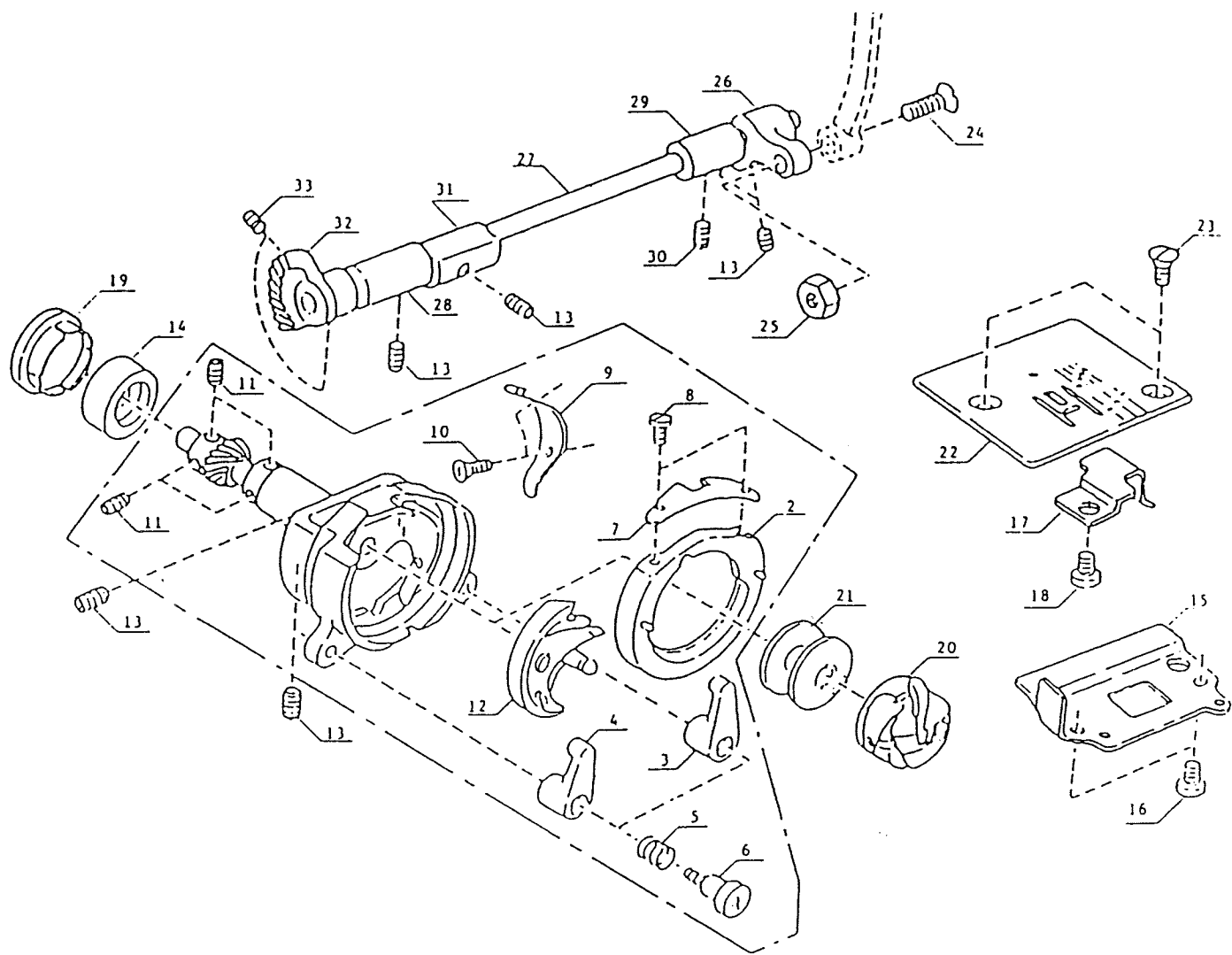
Ref. No.	Elna part No.	Designation
1	395 728-73	Lamp socket unit (220-240V)
	395 711-16	Lamp socket unit (110-120V)
2	395 710-38	Set screw
3	395 710-05	Light bulb (110-120V)
	395 728-74	Light bulb (220-240V)
4	395 728-75	Cord holder
5	395 728-76	Front bracket unit
6	395 728-77	Front bracket
7	395 728-78	Tension release lever
8	395 710-98	Snap ring
9	395 728-79	Tension release plate
10	395 728-80	Tension release plate
11	395 711-06	Set screw
12	395 728-81	Tension unit
13	395 728-82	Check spring
14	395 728-83	Check spring guide
15	395 728-84	Thread guide
16	395 728-85	Set screw
17	395 714-15	Presser bar
18	395 728-86	Spring
19	395 728-87	Bushing
20	395 728-88	Spring
21	395 728-89	Presser bar guide bracket
22	395 710-94	Hexagon socket'screw
23	395 714-20	Spring
24	395 728-90	Presser bar lifter
25	395 714-22	Pin
26	395 712-61	Set screw
27	395 710-01	Foot holder unit
28	395 710-02	Thumb screw
29	395 711-18	Binder
30	395 728-91	Arm thread guide
31	395 728-92	Set screw
32	395 728-93	Spool pin
33	395 722-71	Set screw
31	395 710-03	Presser foot
35	395 724-38	Set screw



<b>Ref. No.</b>	<b>Elna part No.</b>	<b>Designation</b>
1	395 728-94	Feed rock shaft unit
2	395 728-95	Feed rock shaft
3	395 728-96	Feed bar
4	395 728-97	Pin
5	395 728-98	Sliding plate
6	395 728-99	Set screw
7	395 711-24	Snap ring
8	395 714-39	Hexagon socket screw
9	395 729-00	Feed dog
10	395 729-01	Set screw
11	395 729-02	Spring
12	395 729-03	Feed rock shaft crank unit
13	395 729-04	Feed rock shaft crank
14	395 729-05	Set screw
15	395 729-06	Set screw
16	395 714-69	Center screw
17	395 711-57	Set screw
18	395 711-25	Hexagon socket screw
19	395 712-30	Forked rod unit
20	395 712-31	Slide block
21	395 729-07	Pin
22	395 711-34	Snap ring
23	395 729-08	Feed lift arm unit
24	395 729-09	Feed lift arm
25	395 729-10	Pin
26	395 729-11	Drop feed lever
27	395 729-12	Spring
28	395 729-13	Sliding plate
29	395 712-23	Set screw
30	395 729-14	Eccentric pin
31	395 711-12	Set: screw
32	395 729-15	Pin supporter
33	395 710-38	Set screw

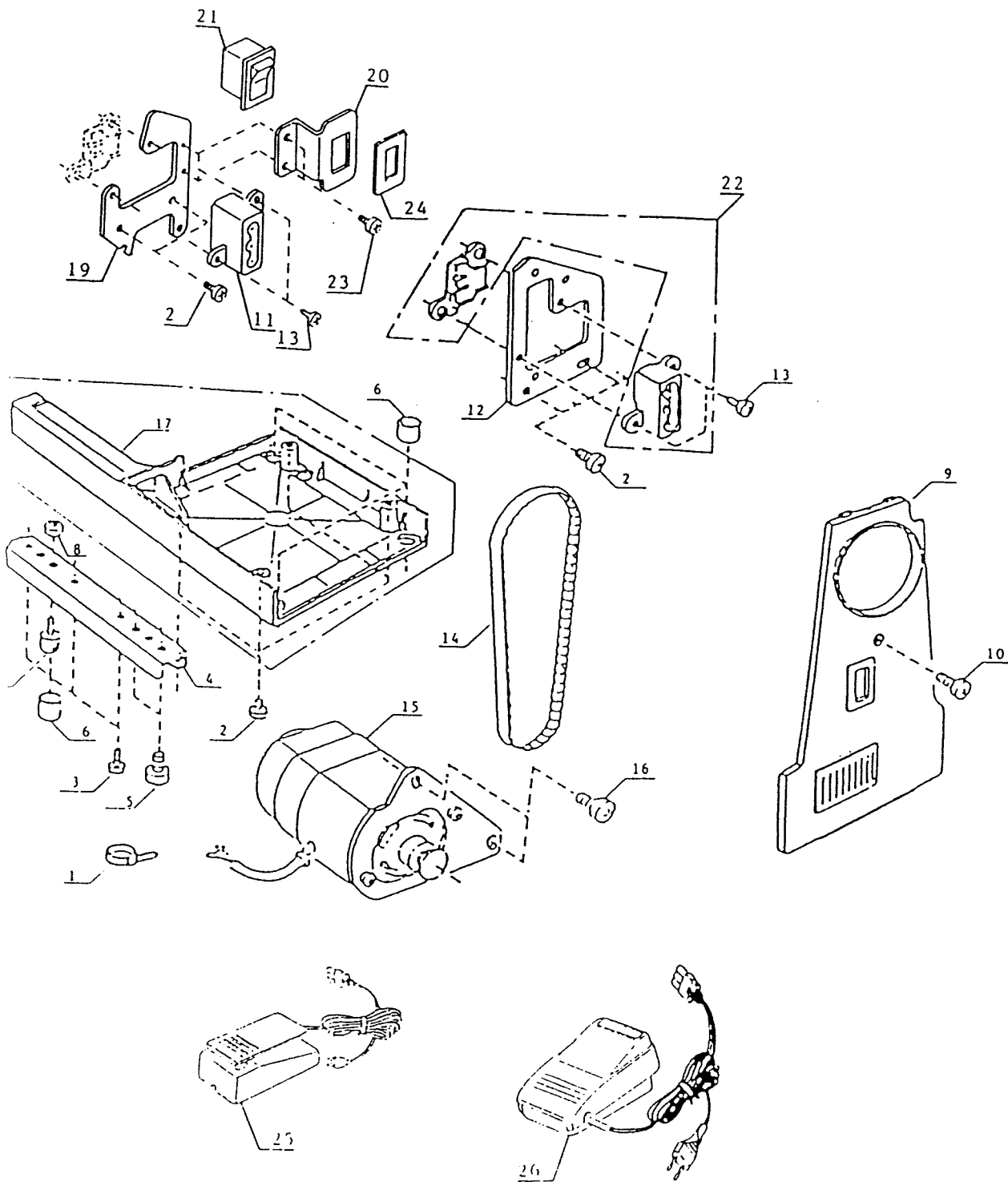


<b>Ref. No.</b>	<b>Elna part No.</b>	<b>Designation</b>
1	395 729-16	Hook race unit
2	395 712-50	Hook race ring
3	395 712-46	Clasp (A)
4	395 712-47	Clasp (B)
5	395 712-48	Spring
6	395 712-49	Hinge screw
7	395 712-51	Spring
8	395 712-52	Set screw
9	395 712-53	Spring
10	395 712-54	Set screw
11	395 711-53	Hexagon socket screw
12	395 712-55	Shuttle hook
13	395 711-25	Hexagon socket screw
14	395 729-17	Bushing
15	395 729-18	Gear cover
16	395 715-99	Set screw
17	395 729-19	Gear cover
18	395 710-38	Set screw
19	395 729-20	Cap
20	395 710-08	Bobbin case unit
21	395 710-07	Bobbin
22	395 729-21	Needle plate
23	395 712-34	Set screw
24	395 729-22	Tapered screw
25	395 729-23	Nut
26	395 729-24	Lower shaft crank
27	395 729-25	Lower shaft
28	395 729-26	Bushing
29	395 729-27	Bushing
30	395 729-28	Set screw
31	395 729-29	Feed lifting cam
32	395 729-30	Lower shaft gear
33	395 712-36	Hexagon socket screw





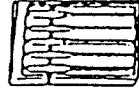
Ref. No.	Elna part No.	Designation
1	395 711-18	Binder
2	395 711-47	Set screw
3	395 714-82	Set screw
4	395 729-31	Sole
5	395 713-39	Set screw
6	395 713-35	Cushion
7	395 729-32	Level adjusting screw
8	395 710-78	Nut
9	395 729-33	Belt cover (220-240V)
	395 729-34	Belt cover (USA & Canada)
10	395 726-35	Set screw
11	395 729-35	Machine socket unit (110-120V)
12	395 729-36	Machine socket set plate (110-120V)
13	395 717-17	Set screw
14	395 729-37	Timing belt
15	395 729-38	Motor, Type 11556 (USA)
	395 729-39	Motor, Type 11557 (Canada)
	395 729-40	Motor, Type 12186 (Continental Europe)
16	395 712-76	Set screw
17	395 729-41	Base
18	395 729-42	Set screw"
19	395 729-43	Machine socket set plate (USA & Canada)
20	395 729-44	Switch set plate (USA & Canada)
21	395 729-45	Switch (USA & Canada)
22	395 729-46	Machine socket unit (220-240V)
23	395 710-38	Set screw
24	395 729-47	Indicating plate
25	395 724-65	Foot control, YC-482J (USA & Canada)
26	395 729-48	Foot control, TJC-211 (Continental Europe)



<b>Ref. No.</b>	<b>Elna part No.</b>	<b>Designation</b>
1	395 719-71	Screwdriver (large)
2	395 710-10	Screwdriver (small)
3	395 710-11	Oiler with oil
4	494 430-20	Bobbin E.I.C.
5	395 719-41	Felt
6	395 710-13	Seam ripper
7	395 719-37	Set of needles
8	395 719-72	Buttonhole foot
9	395 710-16	Zipper foot
10	395 719-73	Hemmer foot
11	395 711-21	Blind hem guide
12	395 720-62	Instruction book (English & French)
	395 729-49	Carton box (M1010) (Not illustrated)
	395 729-50	Set of styro-foams (M1010) (Not illustrate)



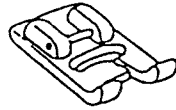
1



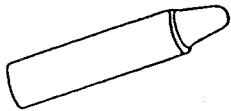
7



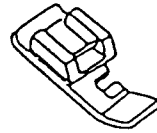
2



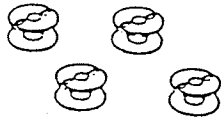
8



3



9



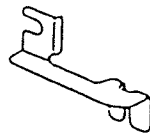
4



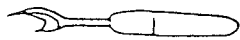
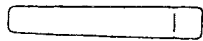
10



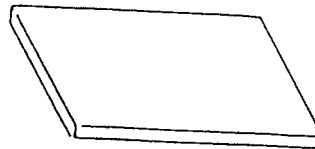
5



11



6



12

