

MODEL

200

220

240

250

PIECES DE RECHANGE

ERSATZTEILE

SPARE PARTS

PIEZAS DE RECAMBIO

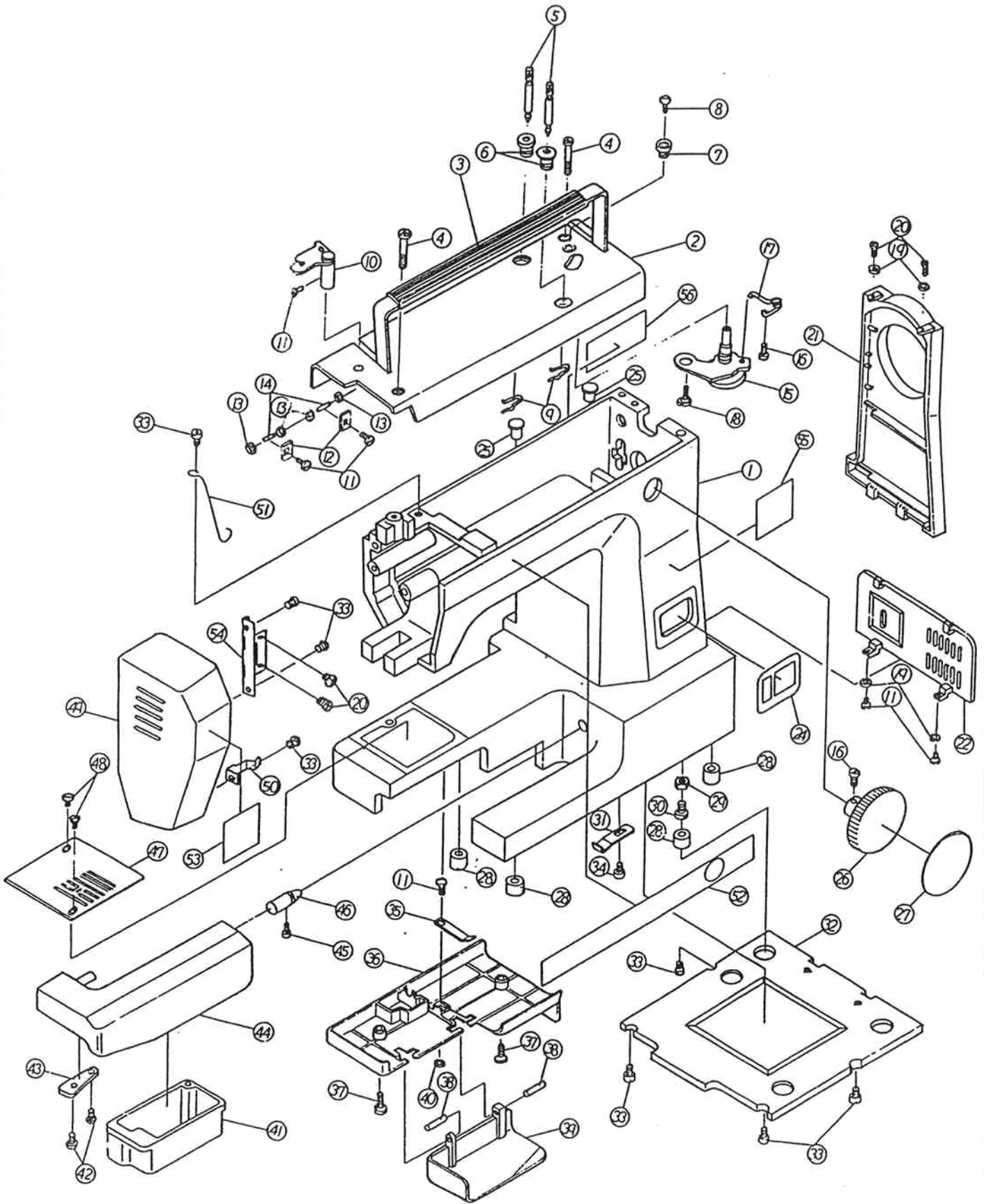
380421008

MAY, 1990

395 900-00

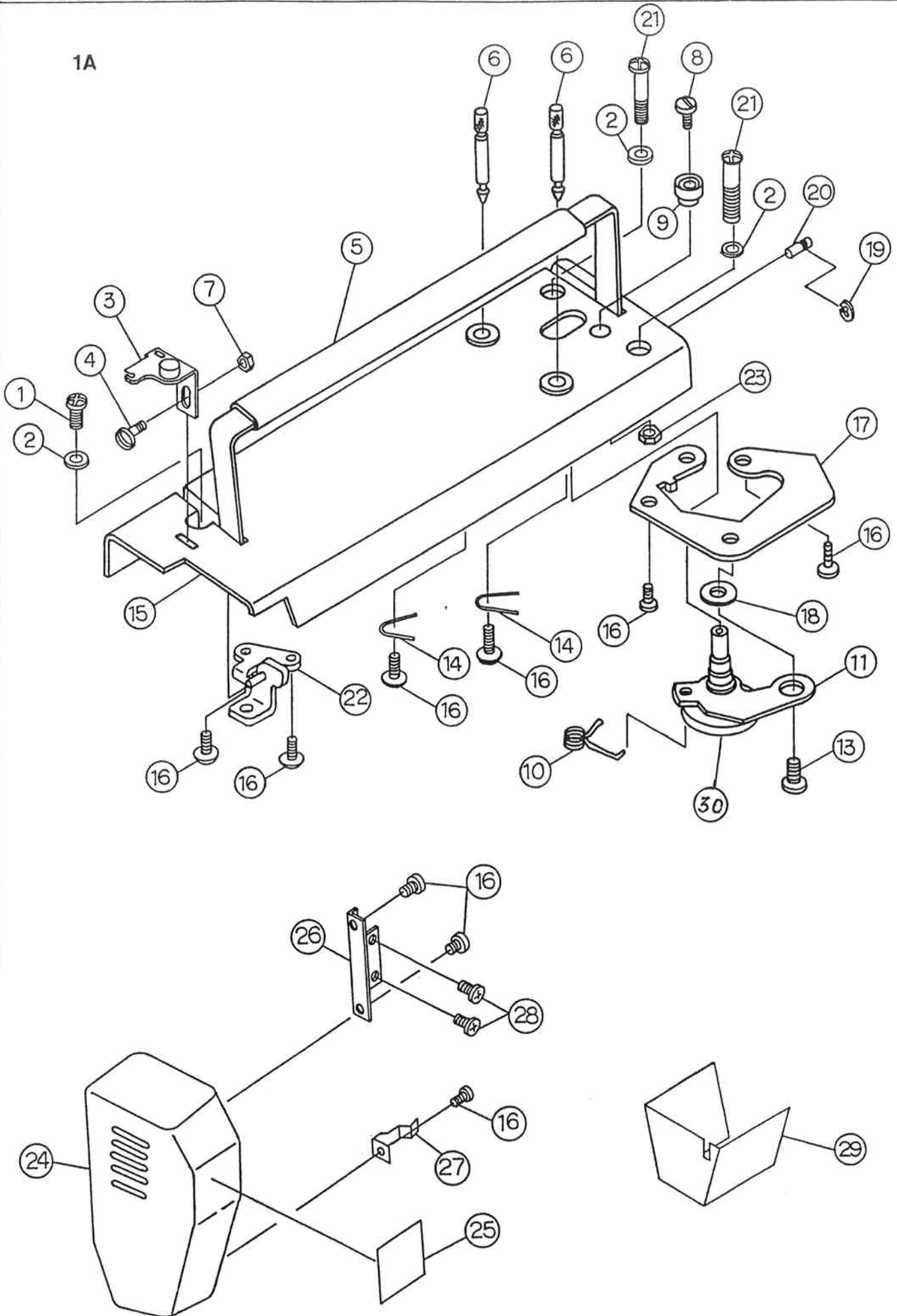
I N D E X

1. Arm/bed, base plate, face plate, bottom cover, belt cover, handle, bobbin winder, extension table
 2. Upper shaft, needle bar, presser bar, handwheel, light socket bracket, take-up lever
 3. Zigzag mechanism, feed regulator device, tension, motor, controller
 4. Lower shaft, feed rock shaft, shuttle
 5. Accessories, instruction books
- 6/7/8. Drawing number index and weights

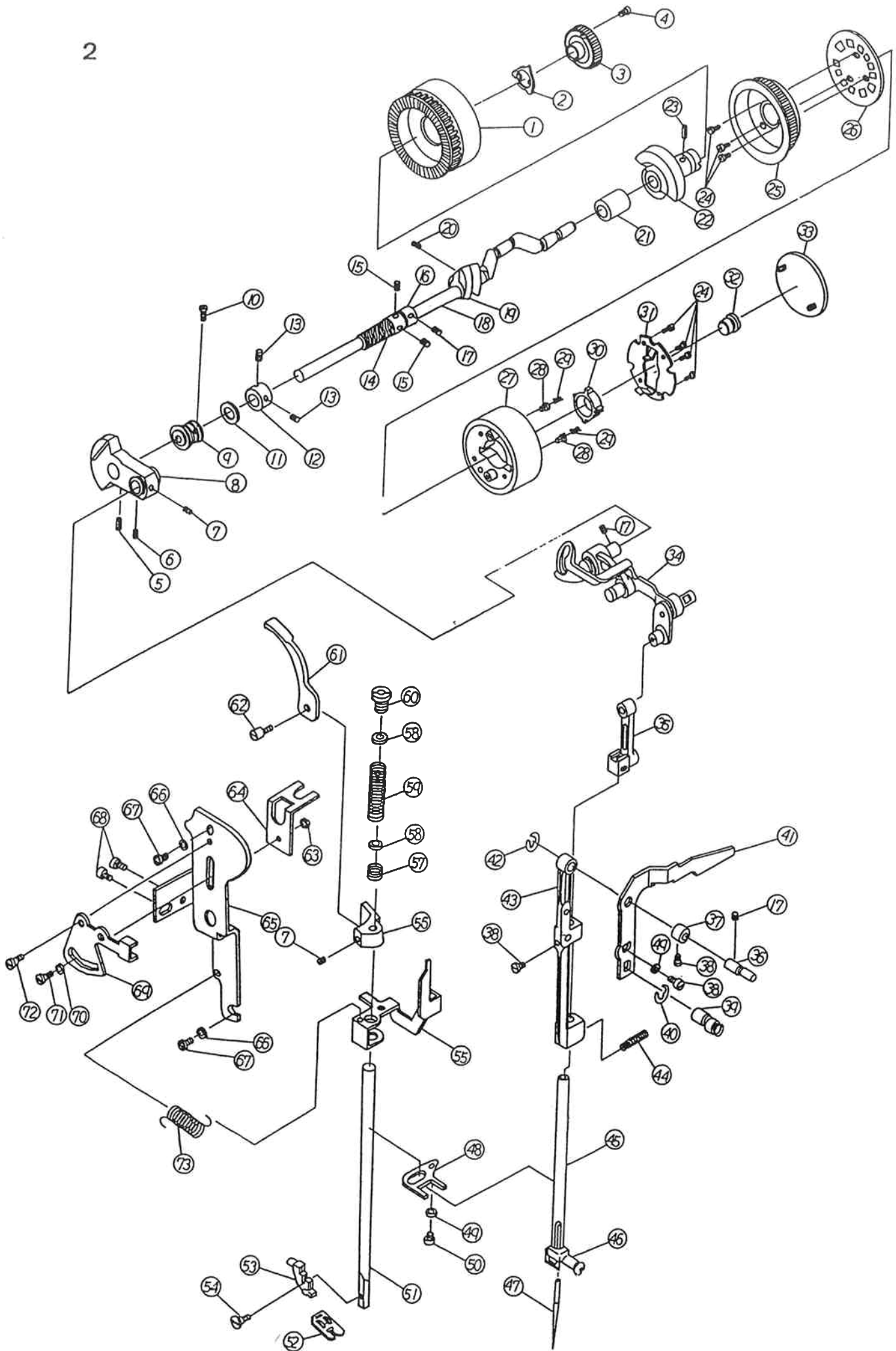


Ref. No.	Sunbeen Part No.	Tavaro Part No.	Name of part
1a	380601107	395620-00	Arm/Bed (Model 200/220/240)
1b	380601200	395620-01	Arm/Bed (Model 250)
2a	370005104	395620-02	Arm cover (Model 200/220/240)
2b	370005506	395620-03	Arm cover (Model 250)
3	370502047	395620-04	Handle comp.
4	301030001	395620-05	Set screw
5	301027005	395620-06	Spool pin A
6	301028039	395620-07	Spool pin bushing
7	380067002	395620-08	Bobbin winder stopper
8	301018003	395620-09	Set screw
9	301029007	395620-10	Spool pin spring
10	370506007	395620-11	Thread guide comp.
11	301016001	395620-12	Set screw
12	353006009	395620-13	Limiting plate
13	353065003	395620-14	Wave washer
14	353005008	395620-15	Handle pin
15	353502000	395620-16	Bobbin winder comp.
16	370048006	395620-17	Hinged screw
17	301319007	395620-18	Bobbin winder spring
18	301025003	395620-19	Hinged screw
19	301245001	395620-20	Washer
20	301008000	395620-21	Set screw
21a	380042115	395620-22	Belt cover (Model 200)
21b	380036105	395620-23	Belt cover (Model 220/240/250)
22a	351013427	395620-24	Motor cover (USA/CDN)
22b	351013508	395620-25	Motor cover (AUS/NZ/CH/ZA)
23	301016001	395620-12	Set screw
24	380027011	395620-26	Feed plate
25	380031029	395620-27	Arm plug
26	370078016	395620-28	Pattern selector dial
27a	356063003	395620-29	Dial plate (Model 200)
27b	356075008	395620-30	Dial plate (Model 220)
27c	360096008	395620-31	Dial plate (Model 240)
27d	380073001	395620-32	Dial plate (Model 250)
28	351012002	395620-33	Rubber
29	351011001	395620-34	Nut
30	351010000	395620-35	Adjusting screw
31	370081001	395620-36	Spring plate
32	351009006	395620-37	Base plate
33	301037008	395620-38	Set screw
34	301185002	395620-39	Set screw
35	351008005	395620-40	Spring plate
36	351006070	395620-41	Bottom cover
37	301143008	395620-42	Set screw
38	000003405	395620-43	Spring pin
39	351007071	395620-44	Shuttle race cover
40	301151009	395620-45	Nut
41	370084048	395620-46	Accessory box
42	000011912	395620-47	Set screw
43	370085005	395620-48	Accessory box plate
44	370003043	395620-49	Extension table
45	356017002	395620-50	Set screw
46	351003000	395620-51	Extension pin
47	351056008	395620-52	Needle plate
48	301261003	395620-53	Set screw
49	380002102	395620-54	Face plate
50	301036007	395620-55	Face plate spring
51a	360055005	395620-56	Lamp wire setter (Model 200/220/240)
51b	380079007	395620-57	Lamp wire setter (Model 250)
52a	356062002	395620-58	Arm panel (Model 200)
52b	356074007	395620-59	Arm panel (Model 220)
52c	360095007	395620-60	Arm panel (Model 240)
52d	380072000	395620-61	Arm panel (Model 250)
53a	356064004	395620-62	Face plate panel (Model 200)
53b	356076009	395620-63	Face plate panel (Model 220)
53c	360097009	395620-64	Face plate panel (Model 240)
53d	380074002	395620-65	Face plate panel (Model 250)
54	380502004	395620-66	Face plate hinge
55	356066006	395620-67	Marking plate (Model 200)
56a	356065005	395620-68	Electric rating plate (USA) (Model 200)
56b	356068008	395620-69	Electric rating plate (CH) (Model 200)
56c	356067007	395620-70	Electric rating plate (ZA) (Model 200)
56d	380076004	395620-71	Electric rating plate (USA/CDN) (Model 220)
56e	380085006	395620-72	Electric rating plate (NZ/AUS) (Model 220)
56f	380082003	395620-73	Electric rating plate (ZA) (Model 220)
56g	380088009	395620-74	Electric rating plate (CH) (Model 220)
56h	380077005	395620-75	Electric rating plate (USA/CDN) (Model 240)
56i	380086007	395620-76	Electric rating plate (NZ/AUS) (Model 240)
56j	380083004	395620-77	Electric rating plate (ZA) (Model 240)
56k	380092006	395620-78	Electric rating plate (CH) (Model 240)
56l	380078006	395620-79	Electric rating plate (USA/CDN) (Model 250)
56m	380087008	395620-80	Electric rating plate (NZ/AUS) (Model 250)
56n	380084005	395620-81	Electric rating plate (ZA) (Model 250)
56o	380093007	395620-82	Electric rating plate (CH) (Model 250)

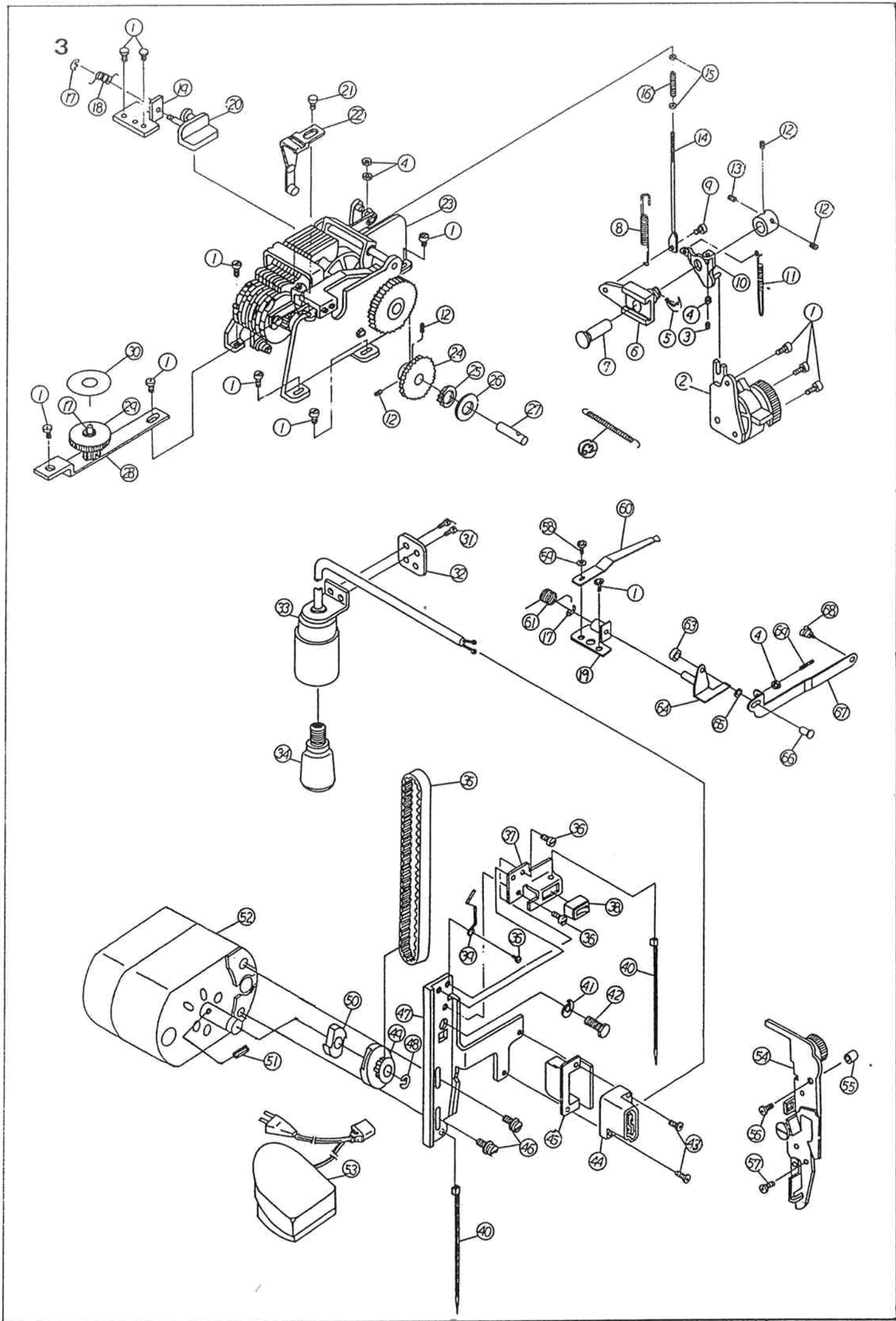
1A



Ref. No.	Sunbeen Part No.	Tavaro Part No.	Name of part
1	370190004	395622-84	Set screw
2	353127007	395622-85	Washer
3	380501003	395622-86	Thread guide comp
4	301016001	395620-12	Set screw
5	370502047	395620-04	Handle comp
6	301027005	395620-06	Spool pin A
7	301151009	395620-45	Nut
8	353128008	395622-87	Set screw
9	380067002	395620-08	Bobbin winder stopper
10	353128006	395622-88	Bobbin winder spring
11	360501001	395622-89	Bobbin winder comp
13	353125005	395622-90	Hinged screw
14	353122002	395622-91	Spool pin spring
15a	370182014	395622-92	Arm cover(Model 200/220/240)
15b	370182106	395622-93	Arm cover(Model 250)
16	000011912	395620-47	Set screw
17	353124004	395622-94	Bobbin winder comp holder
18	370069003	395622-95	Washer
19	000000103	395622-00	Snap ring
20	370183004	395622-96	Handle pin
21	301030001	395620-05	Set screw
22	370184005	395622-97	Handle bracket
23	301193003	395622-98	Nut
24	380090015	395622-99	Face plate
25a	356064004	395620-62	Face plate panel(Model 200)
25b	356076009	395620-63	Face plate panel(Model 220)
25c	356097009	395620-64	Face plate panel(Model 240)
25d	380074002	395620-65	Face plate panel(Model 250)
26	380502004	395620-66	Face plate hinge
27	301036007	395620-55	Face plate spring
28	301008000	395620-21	Set screw
29	380091005	395623-00	Face plate heat-shield plate
30	353030002	395623-01	Bobbin winder ring



Ref. No.	Sunbeem Part No.	Tavaro Part No.	Name of part
1	301540021	395620-83	Handwheel (Model 200)
2	301096005	395620-84	Stop motion washer (Model 200)
3	301097040	395620-85	Stop motion large screw (Model 200)
4	301098007	395620-86	Set screw (Model 200)
5	000003508	395620-87	Spring pin
6	301068008	395620-88	Set screw
7	301084000	395620-89	Set screw
8	301083009	395620-90	Thread take-up crank
9	301088004	395620-91	Front bushing
10	301092001	395620-92	Set screw
11	301086002	395620-93	Nylon washer
12	301085001	395620-94	Collar
13	301087003	395620-95	Set screw
14a	303001009	395620-96	Upper shaft worm gear (Model 200/220/240)
14b	370040008	395620-97	Upper shaft worm gear (Model 250)
15	301093002	395620-98	Set screw
16	370163008	395620-99	Collar (Model 250)
17	301046000	395621-00	Set screw
18	370037002	395621-01	Upper shaft
19	370038003	395621-02	Feed cam
20	370039004	395621-03	Set screw
21	301006008	395621-04	Rear bushing
22	353025004	395621-05	Balance weight
23	000003405	395620-43	Spring pin
24	380041000	395621-06	Set screw (Model 220/240/250)
25	380010000	395621-07	Belt wheel (Model 220/240/250)
26	380011001	395621-08	Gear transmission plate (Model 220/240/250)
27	380068014	395621-09	Handwheel (Model 220/240/250)
28	380071009	395621-10	Transmission pin (Model 220/240/250)
29	380016006	395621-11	Spring (Model 220/240/250)
30	380069004	395621-12	Handwheel transmission ring (Model 220/240/250)
31	380070008	395621-13	Spring plate (Model 220/240/250)
32	380018008	395621-14	Set screw (Model 220/240/250)
33	380019021	395621-15	Handwheel cover (Model 220/240/250)
34	301544003	395621-10	Take-up lever comp.
35	301503000	395621-17	Needle bar holder comp.
36	301042006	395621-18	Needle bar support pin
37	301250009	395621-19	Collar
38	301018001	305620-12	Set screw
39	301045009	395621-20	Eccentric pin
40	000000206	395621-21	Snap ring
41	301043007	395621-22	Zigzag driving plate
42	000000309	395621-23	Snap ring
43	301041005	395621-24	Needle bar support
44a	301047001	395621-25	Spring (Model 200/220/240)
44b	380080001	395621-26	Spring (Model 250)
45	301259008	395621-27	Needle bar
46	301525008	395621-28	Needle clamp comp.
47	301244000		Needle
48	301048002	395621-29	Needle bar stopper plate
49	301245001	395620-20	Washer
50	301049003	395621-30	Set screw
51	301061001	395621-31	Presser bar
52	353012008	395230-00	Z/Z Presser foot
53	301543002	395047-06	Presser foot holder
54	301339003	395522-20	Thumb screw
55	370030001	395621-32	Tension release lever A
56	301252001	395621-33	Guide bracket
57	301065005	395621-34	Spring
58	301066006	395621-35	Washer
59	370012001	395621-36	Pressure bar spring
60	370013002	395621-37	Pressure regulator collar
61	370154006	395621-38	Presser bar lever
62	301070003	395621-39	Hinged screw
63	301151009	395620-45	Nut
64	370016005	395621-40	Pressure regulator plate
65a	370015200	395621-41	Light socket bracket (USA/CDN)
65b	370015004	395621-42	Light socket bracket (NZ/ZA/CH/AUS)
66	301257006	395621-43	Washer
67	301037008	395620-38	Set screw
68	301234007	305621-44	Set screw
69	370017006	395621-45	Pressure adjusting plate
70	370099002	395621-46	Washer
71	370018007	395621-47	Hinged screw
72	301201005	395621-48	Hinged screw
73	370147006	395621-49	Spring
74	000011912	395620-47	Set screw



Ref. No.	Sunbeen Part No.	Tavaro Part No.	Name of part
1	301008000	395620-21	Set screw
2	380607011	395621-50	S-titch length dial comp.
3	301289007	395621-51	Set screw
4	301151009	395620-45	Nut
5	000000505	395621-52	Snap ring
6	301148003	395621-53	Feed regulator
7	301152000	395621-54	Feed regulator shaft
8	301155003	395621-55	Feed regulator spring
9	301154002	395621-56	Hinged screw
10	380020003	395621-57	Feed regulator bracket
11a	303003001	395621-58	Spring (Model 200/220/240)
11b	370045003	395621-59	Spring (Model 250)
12	301046000	395621-00	Set screw
13	301087003	395620-95	Set screw
14a	303002000	395621-60	Stretch stitch rod (Model 200/220/240)
14b	370042000	395621-61	Stretch stitch rod (Model 250)
15	370044002	395621-62	Washer (Model 250)
16	370043001	395621-63	Spring (Model 250)
17	000000206	395621-21	Snap ring
18	380058000	395621-64	Spring (Model 250)
19	380056008	395621-65	Zigzag mechanism body
20	380057009	395621-66	Zigzag connecting crank B (Model 250)
21	301185002	395620-39	Set screw
22	301645005	395621-67	Zero adjusting crank comp.
23a	370605105	395621-68	Zigzag mechanism comp. (Model 200/220)
23b	360607204	395621-69	Zigzag mechanism comp. (Model 240)
23c	380619005	395621-70	Zigzag mechanism comp. (Model 250)
24	370076003	395621-71	Pattern selector gear (Model 250)
25	301247003	395621-72	Wave washer (Model 250)
26	301159007	395621-73	Washer (Model 250)
27	370077004	395621-74	Selecting shaft B (Model 250)
28	380064009	395621-75	Zigzag plate (Model 250)
29	380065000	395621-76	Zigzag width dial (Model 250)
30	380075003	395621-77	Dial plate (Model 250)
31	301234007	395621-44	Set screw
32	370164009	395621-78	Light cord plate (ZA/CH/NZ/AUS)
33a	380803008	395621-79	Light cord comp. (USA/CDN)
33b	370806000	395621-80	Light cord comp. (ZA/CH/NZ/AUS)
34a	301802105	395621-81	Light bulb 120V (USA/CDN)
34b	353821101	395621-82	Light bulb 220-240 (ZA/CH/NZ/AUS)
35	301285003	395621-83	Belt
36	301185002	395620-39	Set screw
37	380043002	395621-84	Switch fixation plate
38a	370808013	395621-85	Switch (USA/CDN)
38b	380045004	395621-86	Switch (ZA/CH/NZ/AUS)
39	380040009	395621-87	Lamp wire setter
40	351047006	395621-88	Band
41	301246002	395621-89	Spring Washer
42	301239002	395621-90	Motor bracket set screw
43	351032008	395621-91	Set screw
44a	301270005	395621-92	Receptacle (USA/CDN)
44b	351048007	395621-93	Receptacle (ZA/CH/NZ/AUS)
45a	301271006	395621-94	Insulated plate (USA/CDN)
45b	351049008	395621-95	Insulated plate (ZA/CH/NZ/AUS)
46a	301269001	395621-96	Nut (USA/CDN)
46b	351046005	395621-97	Set screw (ZA/CH/NZ/AUS)
47a	380089000	395621-98	Motor bracket (USA/CDN)
47b	380044003	395621-99	Motor bracket (ZA/CH/NZ/AUS)
48	000000103	395622-00	Snap ring
49	301530006	395622-01	Motor pulley comp.
50	301294005	395622-02	Motor clutch
51	000000307	395622-03	Spring pin
52a	353819003	395622-04	Motor comp. 120V (USA/CDN)
52b	353825105	395622-05	Motor comp. 240V (NZ/AUS)
52c	353811201	395622-06	Motor comp. 220V (ZA/CH)
53a	353839009	395622-07	Controller comp. 120V (USA/CDN)
53b	353826003	395622-08	Controller comp. 240V (NZ/AUS)
53C	353812006	395622-09	Controller comp. 220V (ZA/CH)
54	370507019	395622-10	Tension comp.
55	370034009	395622-11	Washer
56	370033008	395622-12	Set screw
57	301165006	395622-13	Set screw
58	356017002	395620-50	Set screw (Model 200/220/240)
59	301009001	395622-14	Washer (Model 200/220/240)
60	356006008	395622-15	Angle index spring plate (Model 200/220/240)
61	301215002	395622-16	Spring (Model 200/220/240)
62	301208002	395622-17	Spring (Model 200/220/240)
63	301213000	395622-18	Roller (Model 200/220/240)
64	354004000	395622-19	Zigzag connecting crank A (Model 200/220/240)
65	301245001	395620-20	Washer (Model 200/220/240)
66	301212009	395622-20	Riveting pin (Model 200/220/240)
67	303005003	395622-21	Zigzag connecting rod (Model 200/220/240)
68	301218005	395622-22	Hinged screw (Model 200/220/240)
69	301196006	395622-23	Adjusting screw (Model 200/220/240)
	370025007	395623-07	Check spring

