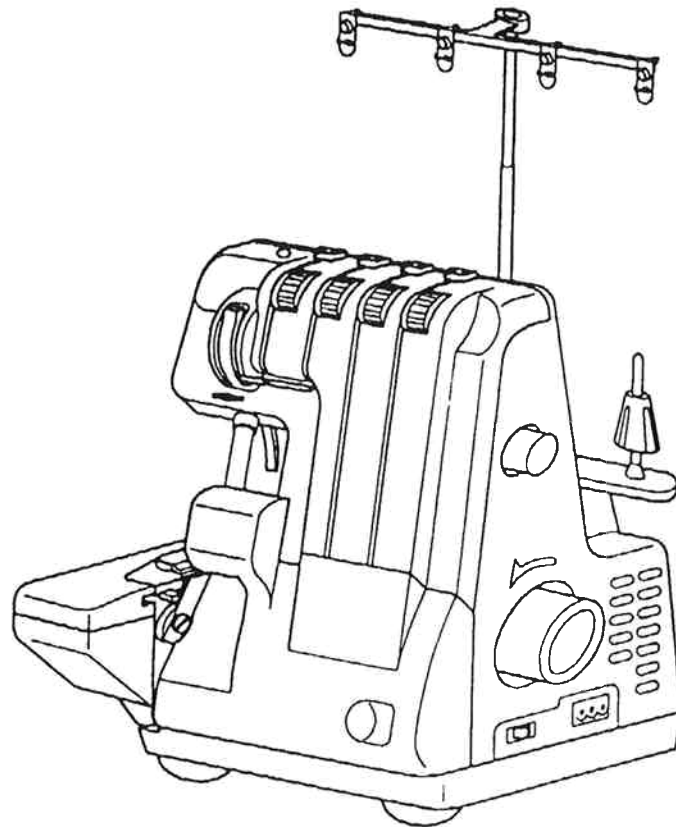


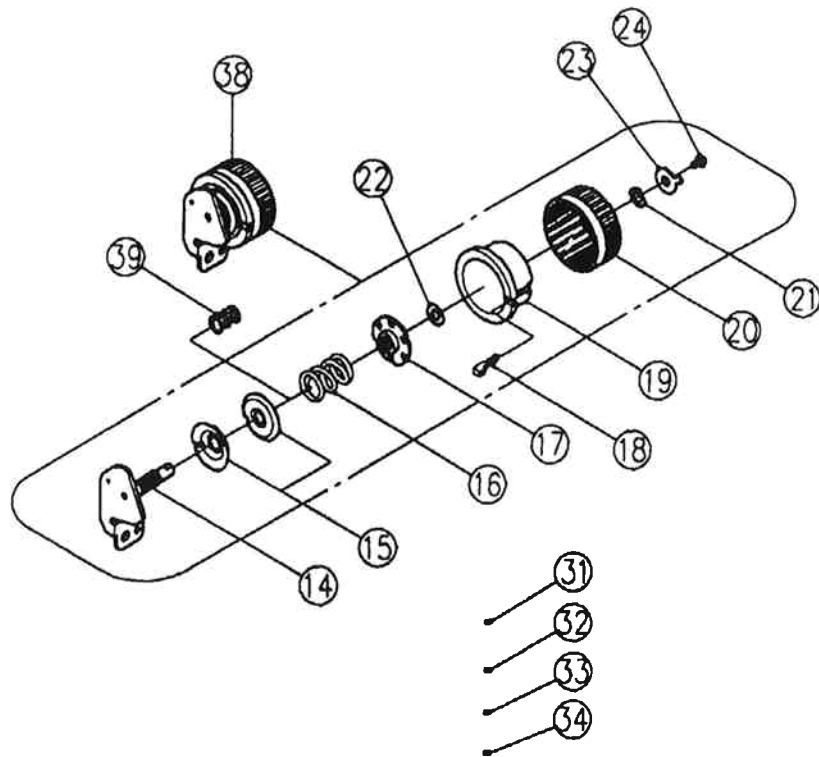
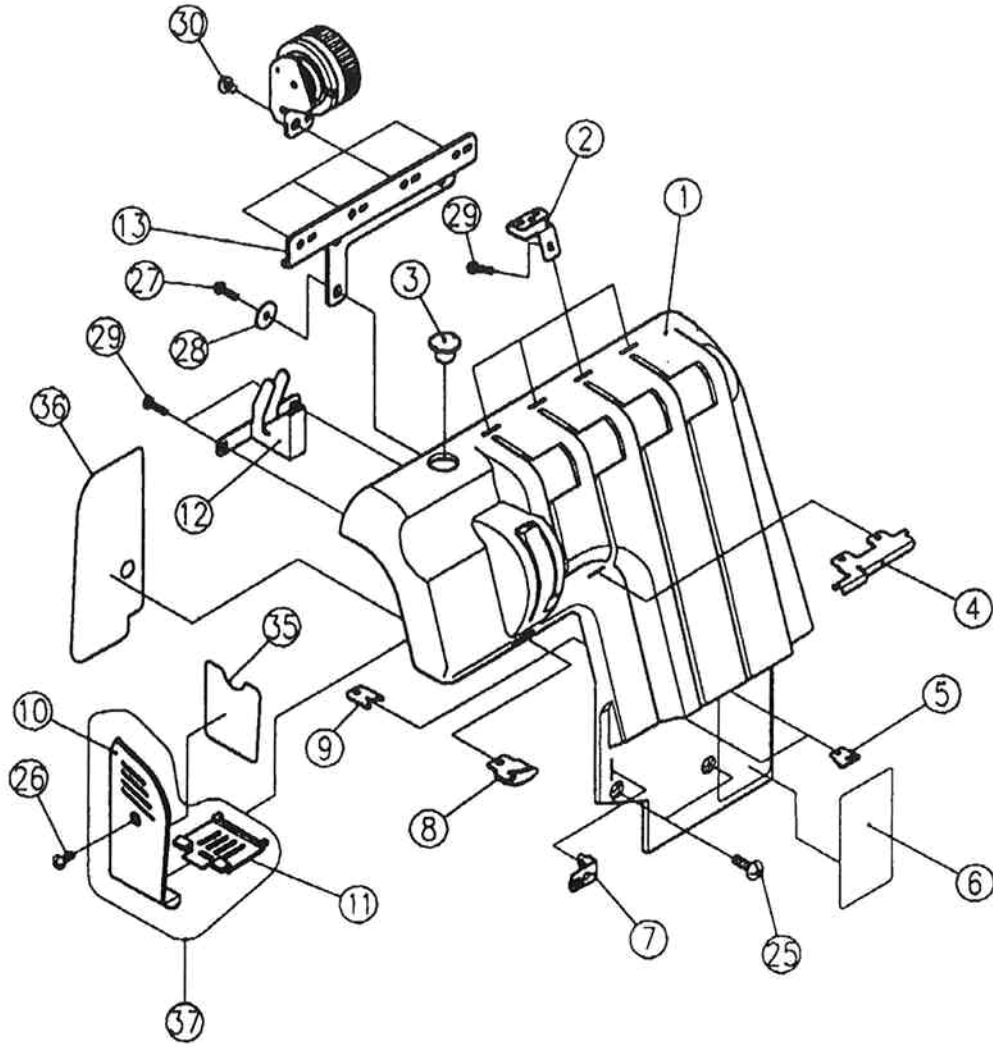
elna ez34



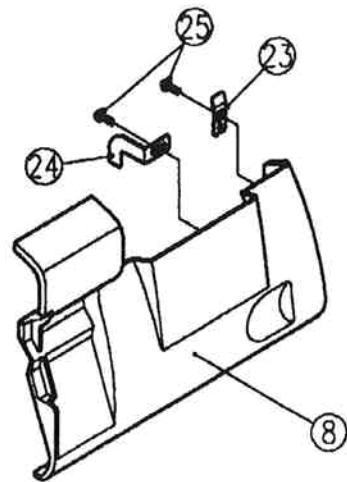
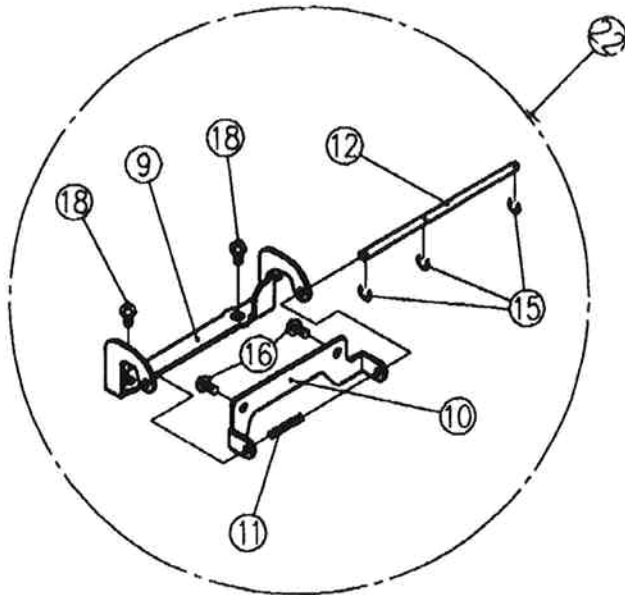
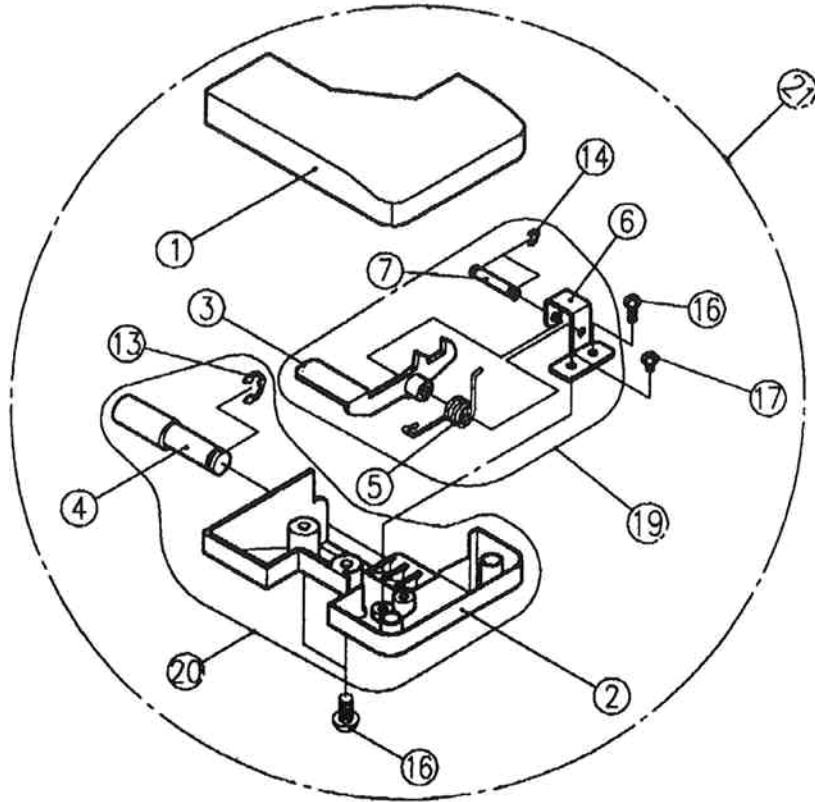
PIECES DE RECHANGE ERSATZTEILE SPARE PARTS PIEZAS DE RECAMBIO

I N D E X

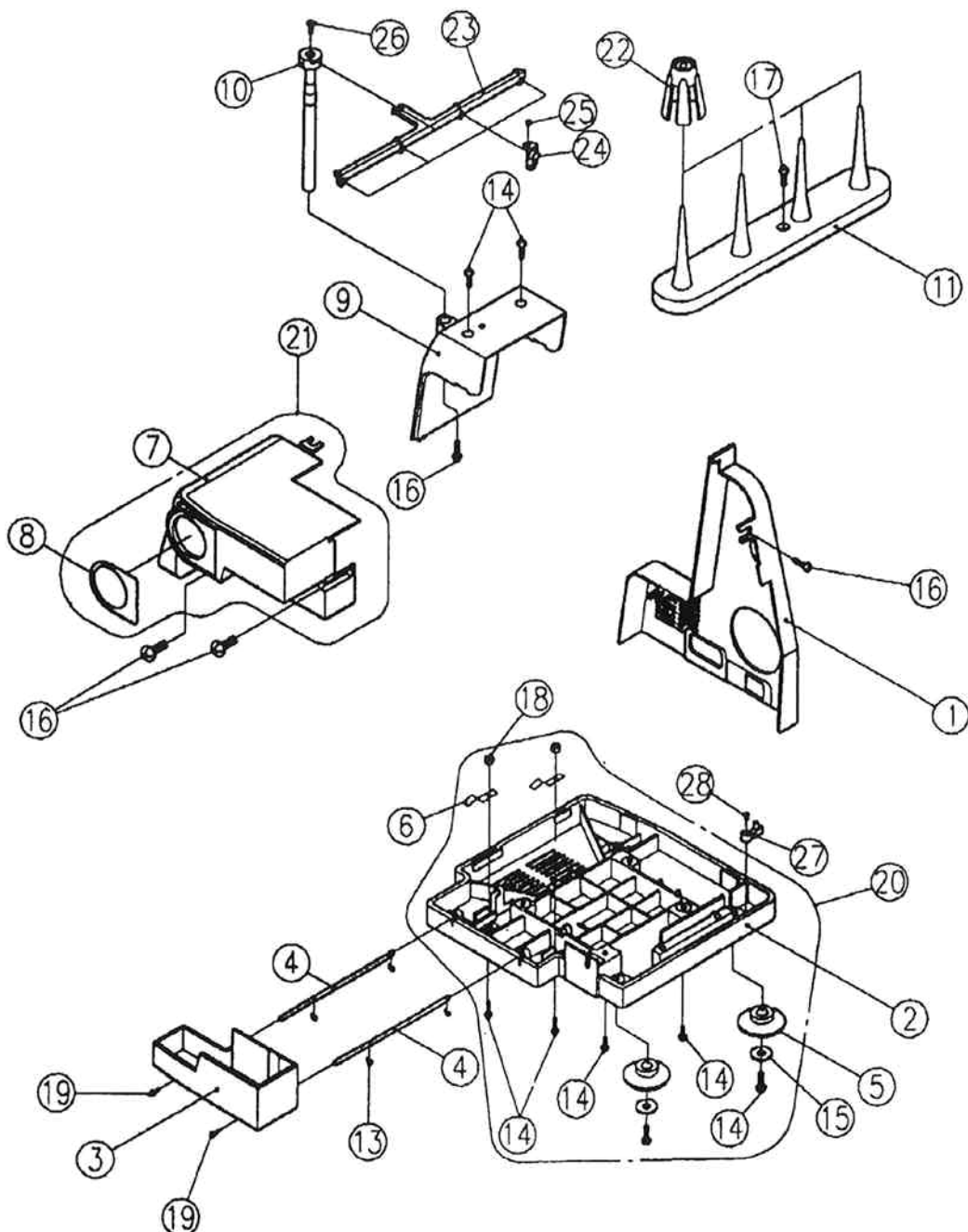
1. Front cover, Tension dial, Bulb cover.
2. Sewing table, Looper cover.
3. Side cover, Base plate, Accessory box / Extension table, Motor cover, Spool stand, Thread guide.
4. Machine frame, Lower knife, Needle plate.
5. Main shaft, Upper knife.
6. Handwheel, Stitch length dial.
7. Needle bar, Needle clamp, Presser bar, Presser foot.
8. Upper looper.
9. Differential feed.
10. Feed dog.
11. Lower looper.
12. Motor, Foot control, Lamp, Switch, Connector base, Belt.
13. Accessories, Instruction manual.



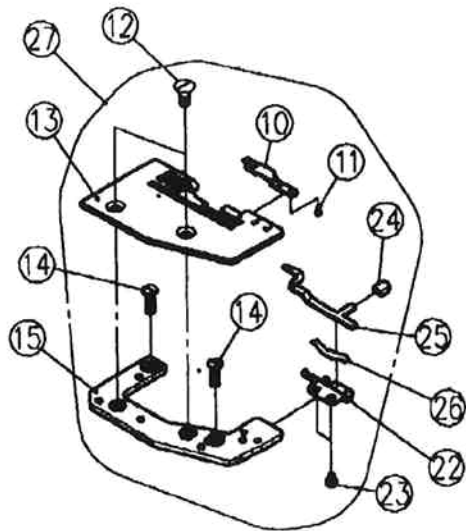
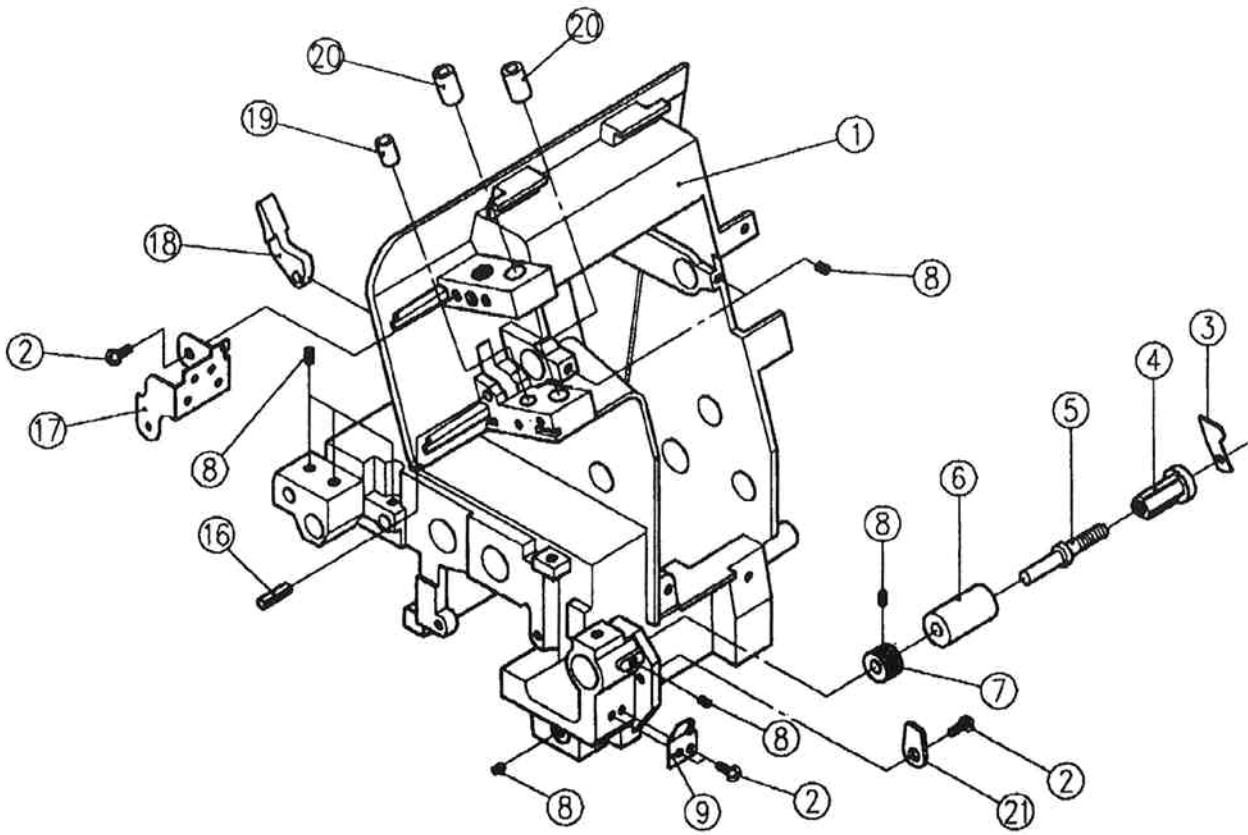
Pos. No.	Elna No.	Name of parts
1	396'401-20	Front cover (No.1, 4, 5, 7, 8, 9 included)
2	396'401-35	Thread guide (A)
3	396'401-36	Regulate cover
4	396'401-37	Thread guide (B)
5	396'401-38	Thread guide (F)
6	396'401-39	Thread guide sticker(B1)
6	396'401-40	Threaad guide sticker (82)
7	396'401-41	Thread guide (8)
8	396'401-42	Thread guide (C)
9	396'401-43	Thread guide (D)
10	396'401-44	Bulb cover
11	396'401-45	Bulb shielding plate
12	396'401-46	Thread take-up cover
13	396'401-47	Tension dial holder
14	396'401-48	Tension dial holder set
15	396'401-49	Tension disc
16	396'401-50	Tension spring (lower looper)
16	396'401-51	Tension spring (riight needle, left needle)
16	396'401-52	Tension spring(upper looper)
17	396'401-53	Tension regulate nut
18	396'401-54	Tension regulate pin (red)
18	396'401-55	Tension regulate pin (green)
18	396'401-56	Tension regulate pin (blue)
18	396'401-57	Tension regulate pin (yellow)
19	396'401-58	Tension regulate disc (red)
19	396'401-59	Tension regulate disc (green)
19	396'401-60	Tension regulate disc (blue)
19	396'401-61	Tension regulate disc (yellow)
20	396'401-62	Tension dial (2, 3, 4 red)
20	396'401-63	Tension dial (2, 3, 4 green)
20	396'401-64	Tension dial (2, 3, 4 blue)
20	396'401-65	Tension dial (2, 3, 4 yellow)
21	396'401-66	Washer
22	396'401-67	Washer
23	396'401-68	Tension dial setting plate
24	396'401-69	Set screw
25	396'401-70	Set screw
26	396'401-69	Set screw
27	396'401-71	Set screw
28	396'401-72	Washer
29	396'401-73	Set screw
30	396'401-74	Set screw
31	396'401-75	Color sticker (red)
32	396'401-76	Color sticker (green)
33	396'401-77	Color sticker (blue)
34	396'401-78	Color sticker (yellow)
35	396'401-79	Lamp cover hedtout plate
36	396'401-80	Front cover heatout plate
37	396'401-81	Bulb cover complete set
38	396'401-82	Tension dial set (lower looper)
38	396'401-83	Tension dial set (upper looper)
38	396'401-84	Tension dial set (right needle)
38	396'401-85	Tension dial set (left needle)
39	396'401-86	Tension spring
40	396'401-87	Front cover set (No. 35, 37 excluded)



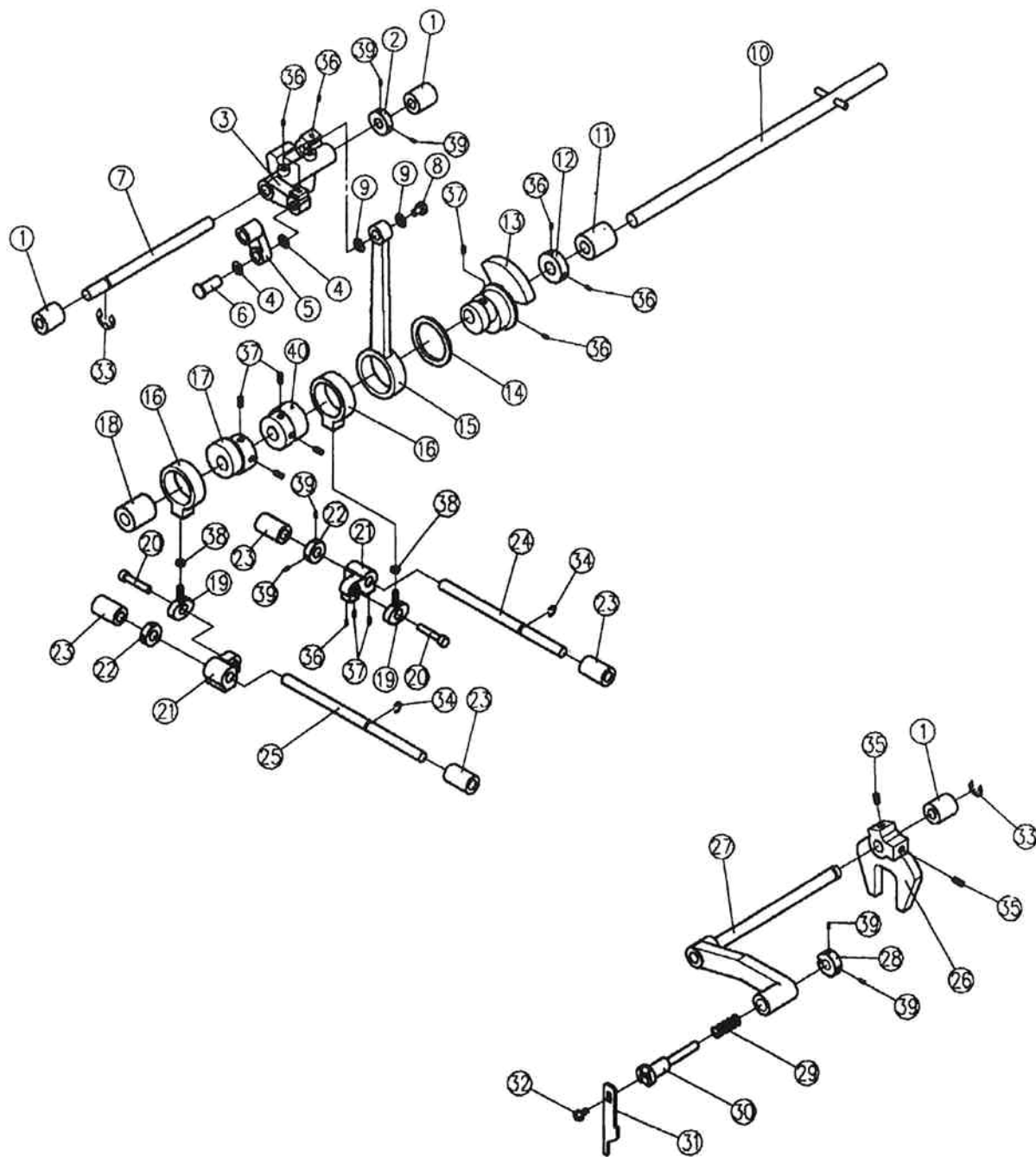
Pos. No.	Elna No.	Name of parts
1	396`401-88	Sewing table cover
2	396`401-89	Sewing table base
3	396`401-90	Sewing table opening lever
4	396`401-91	Sewing table shaft
5	396`401-92	Opening lever spring
6	396`401-93	Opening lever holder
7	396`401-94	Opening lever shaft
8	396`401-12	Looper cover
9	396`401-95	Looper cover hinge (A)
10	396`401-96	Looper cover hinge (B)
11	396`401-97	Looper cover hinge spring
12	396`401-98	Looper cover hinge shaft
13	396`401-99	E Ring
14	396`402-00	E Ring
15	396`402-01	E Ring
16	396`402-02	Set screw
17	396`402-03	Set screw
18	396`401-70	Set screw
19	396`402-04	Sewing table opening lever set
20	396`402-05	Sewing table base complete set
21	396`402-06	Sewing table complete set
22	396`401-19	Loopeer cover hinge set
23	396`402-07	Looper cover setting plate
24	396`402-08	Contactora regulate plate
25	396`402-09	Set screw



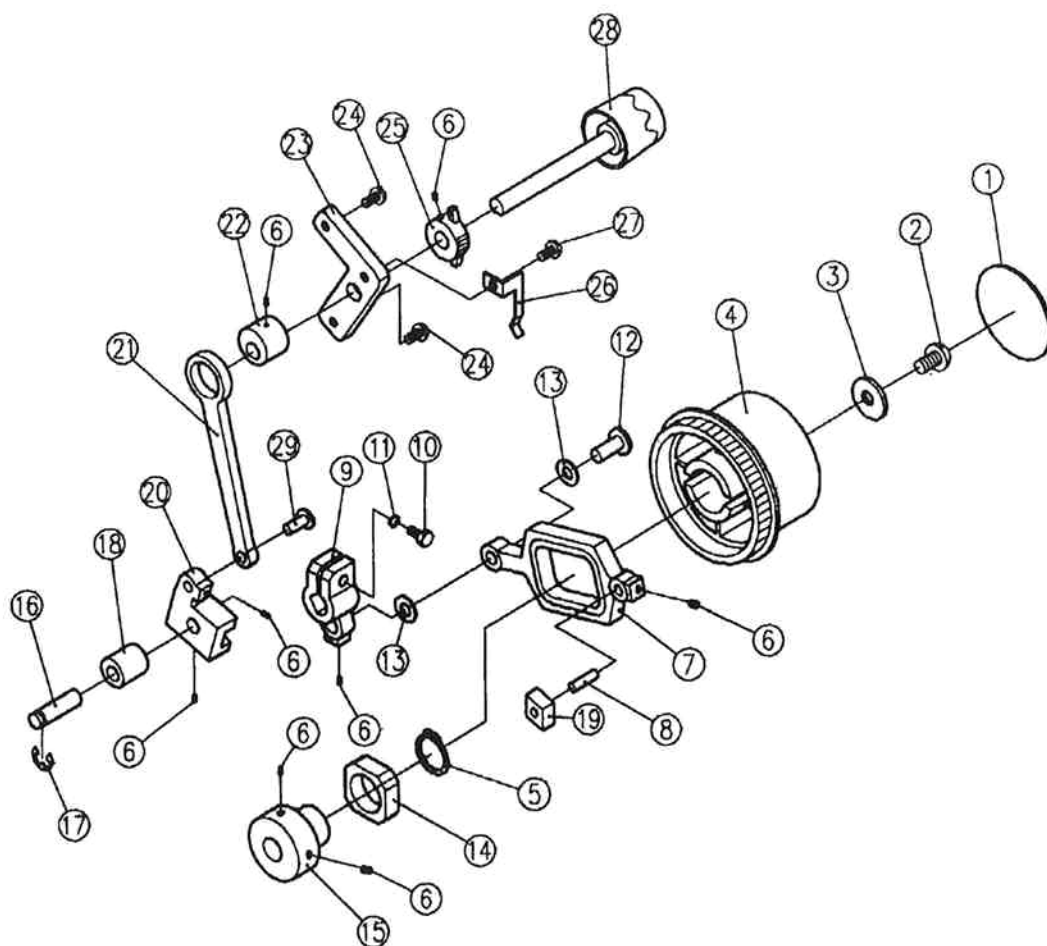
Pos. No.	Elna No.	Name of parts
1	396`402-10	Side cover
2	396`402-11	Base plate
3	396`401-33	Accessory box
4	396`402-12	Accessory box slide shaft
5	396`402-13	Rubber
6	396`402-14	Accessory box setting spring
7	396`402-15	Extension table (DF type)
8	396`402-16	D.F. decorate plate
9	396`401-11	Motor cover
10	396`401-05	Extension bar
11	396`402-17	Spool stand
13	396`402-01	E Ring
14	396`402-18	Set screw
15	396`402-19	Washer
16	396`402-20	Set screw
17	396`402-21	Set screw
18	396`402-22	Nut
19	396`401-69	Set screw
20	396`402-23	Base plate complete set
21	396`402`23	Extension table complete set (DF Type)
22	396`419-05	Cone holder
23	396`401-04	Thread guide bar
24	396`402-24	Pre-tension
25	396`402-25	Set screw
26	396`402-26	Set screw
27	396`402-27	Micro switch contactor
28	396`402-09	Set screw
29	396`401-06	Thread guide bar complete set (No. 23-25)



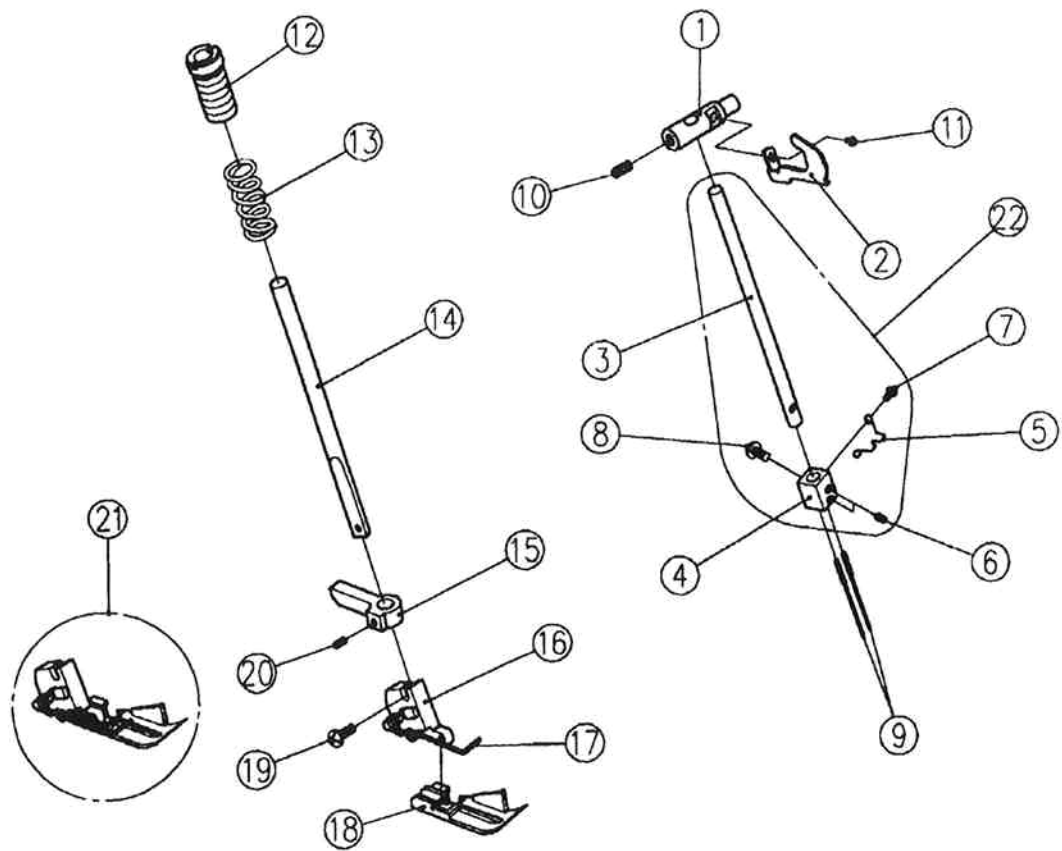
Pos. No.	Elna No.	Name of parts
1	396`402-28	Machine Frame
2	396`402-20	Set screw
3	396`401-01	Lower knife
4	396`402-29	Lower knife holder
5	396`402-30	Cutting width knob shaft
6	396`402-31	Lower knife holder bushing
7	396`402-32	Cutting width knob
8	396`402-33	Set screw
9	396`402-34	Opening lever stopper
10	396`401-02	Fixed lever
11	396`401-24	Set screw
12	396`402-35	Set screw
13	396`401-07	Stitch plate
14	396`402-36	Set screw
15	396`402-37	Stitch plate holder
16	396`402-38	Spring pin
17	396`402-39	Bulb holder
18	396`402-40	Presser foot lifter
19	396`402-41	Presser bar bushing
20	396`402-42	Needle bar bushing
21	396`402-43	Lower knife holder stopper
22	396`402-44	Moving lever holder
23	396`402-25	Set screw
24	396`402-45	Moving lever cover
25	396`401-03	Moving lever
26	396`402-46	Locating spring
27	396`402-47	Stitch plate set



Pos. No.	Elna No.	Name of parts
1	396`402-48	Upper knife arm shaft bushing
2	396`402-49	Setting collar
3	396`402-50	Needle bar crank
4	396`402-51	Washer
5	396`402-52	Needle bar link
6	396`402-53	Needle bar link pin
7	396`402-54	Needle bar link shaft
8	396`402-55	Needle bar drive link pin
9	396`402-56	Washer
10	396`402-57	Main shaft set
11	396`402-58	Main shaft bushing (A)
12	396`402-59	Setting collar
13	396`402-60	Needle bar cam
14	396`402-61	Washer
15	396`402-62	Needle bar drive link
16	396`402-63	Looper link
17	396`402-64	Looper cam (B)
18	396`402-65	Main shaft bushing (B)
19	396`402-66	Bearing
20	396`402-67	Looper shaft link pin
21	396`402-68	Looper shaft link
22	396`402-69	Setting collar
23	396`402-70	Looper shaft bushing
24	396`402-71	Upper looper shaft
25	396`402-72	Lower looper shaft
26	396`402-73	Fork
27	396`402-74	Upper knife arm set
28	396`402-75	Upper knife holder collar
29	396`402-76	Upper knife spring
30	396`402-77	Upper knife holder
31	396`401-00	Upper knife
32	396`402-20	Set screw
33	396`401-99	E Ring
34	396`402-78	E Ring
35	396`402-79	Set screw
36	396`402-33	Set screw
37	396`402-80	Set screw
38	396`402-81	Nut
39	396`402-82	Set screw
40	396`402-83	Looper cam (A)



Pos. No.	Elna No.	Name of parts
1	396`402-84	Handwheel decorate plate
2	396`402-85	Set screw
3	396`402-86	Washer
4	396`402-87	Handwheel
5	396`402-88	C Ring
6	396`402-33	Set screw
7	396`402-89	Feed drive link
8	396`402-90	Feed drive link pin (A)
9	396`402-91	Feed link
10	396`402-92	Set screw
11	396`402-93	Spring washer
12	396`402-94	Feed drive link pin (B)
13	396`402-95	Washer
14	396`402-96	Feed cam slide block
15	396`402-97	Feed cam
16	396`402-98	Feed regulate holder shaft
17	396`402-78	E Ring
18	396`403-00	Feed regulate holder bushing
19	396`403-01	Feed slide block
20	396`403-02	Feed slide holder
21	396`403-03	Feed regulate link
22	396`403-04	Feed regulate cam
23	396`403-05	Feed regulate holder
24	396`402-18	Set screw
25	396`403-06	Feed regulate collar
26	396`403-07	Locating spring
27	396`403-08	Set screw
28	396`403-09	Stitch length dial
29	396`403-10	Feed regulate link pin



Pos. No.	Elna No.	Name of parts
1	396`403`11	Needle bar setting link
2	396`403`12	Needle bar thread take-up lever
3	396`401-23	Needle bar
4	396`401`13	Needle clamp
5	396`403-13	Needle clamp thread guide
6	396`401-25	Set screw
7	396`403`14	Set screw
8	396`403-15	Set screw
9	396`419-06	Needle
10	396`403-16	Set screw
11	396`403-17	Set screw`
12	396`403-18	Presser bar regulate screw
13	396`403-19	Presser bar spring
14	396`403-20	Presser bar
15	396`403-21	Presser bar setting link
16	396`419-05	Presser foot holder
17	396`403-22	Presser foot spring
18	396`419-00	Presser foot
19	396`401-26	Set screw
20	396`402-33	Set screw
21	396`419-01	Presser foot complete set
22	396`403-23	Needle bar complete set (needles excluded)