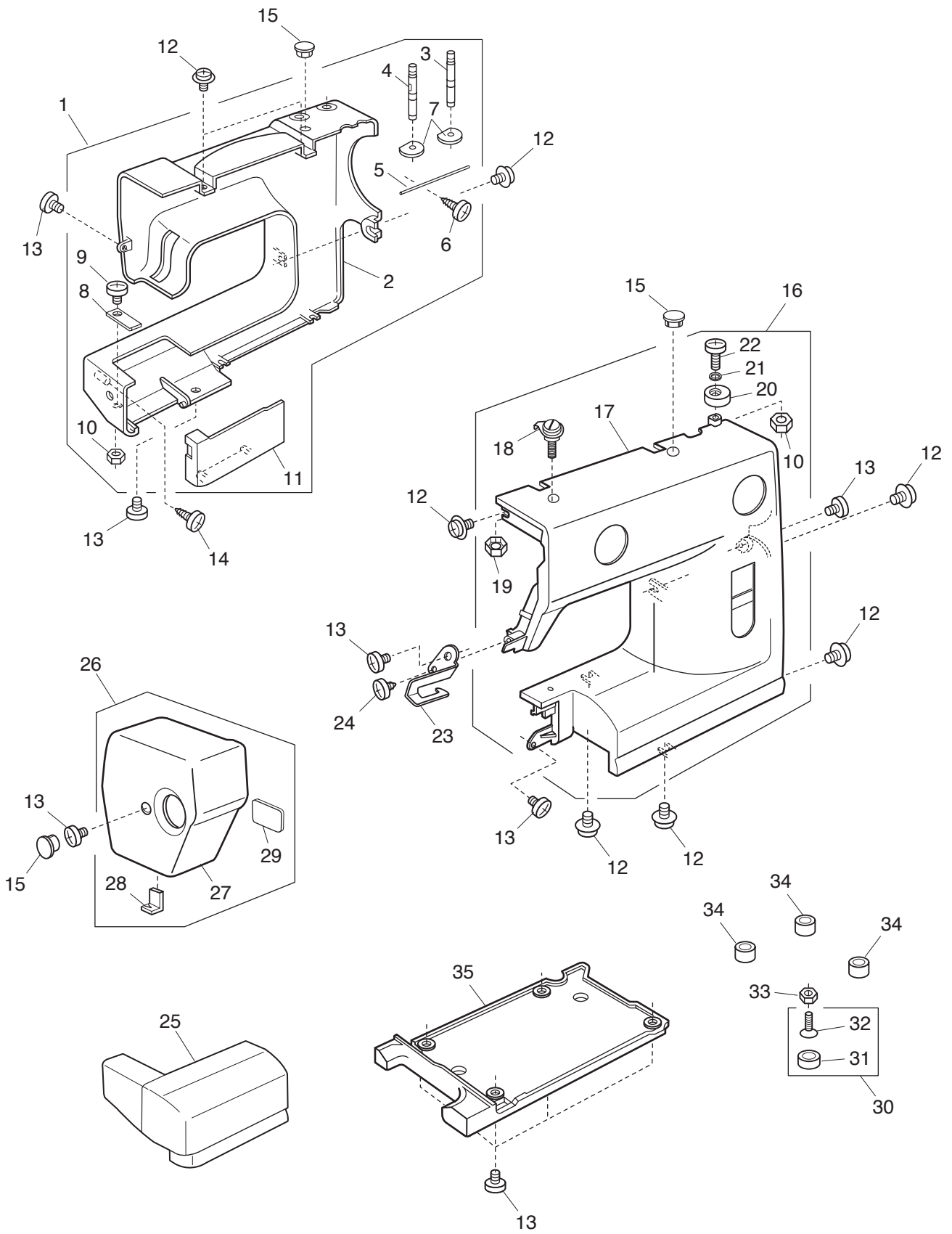


PARTS LIST

eXplore 220

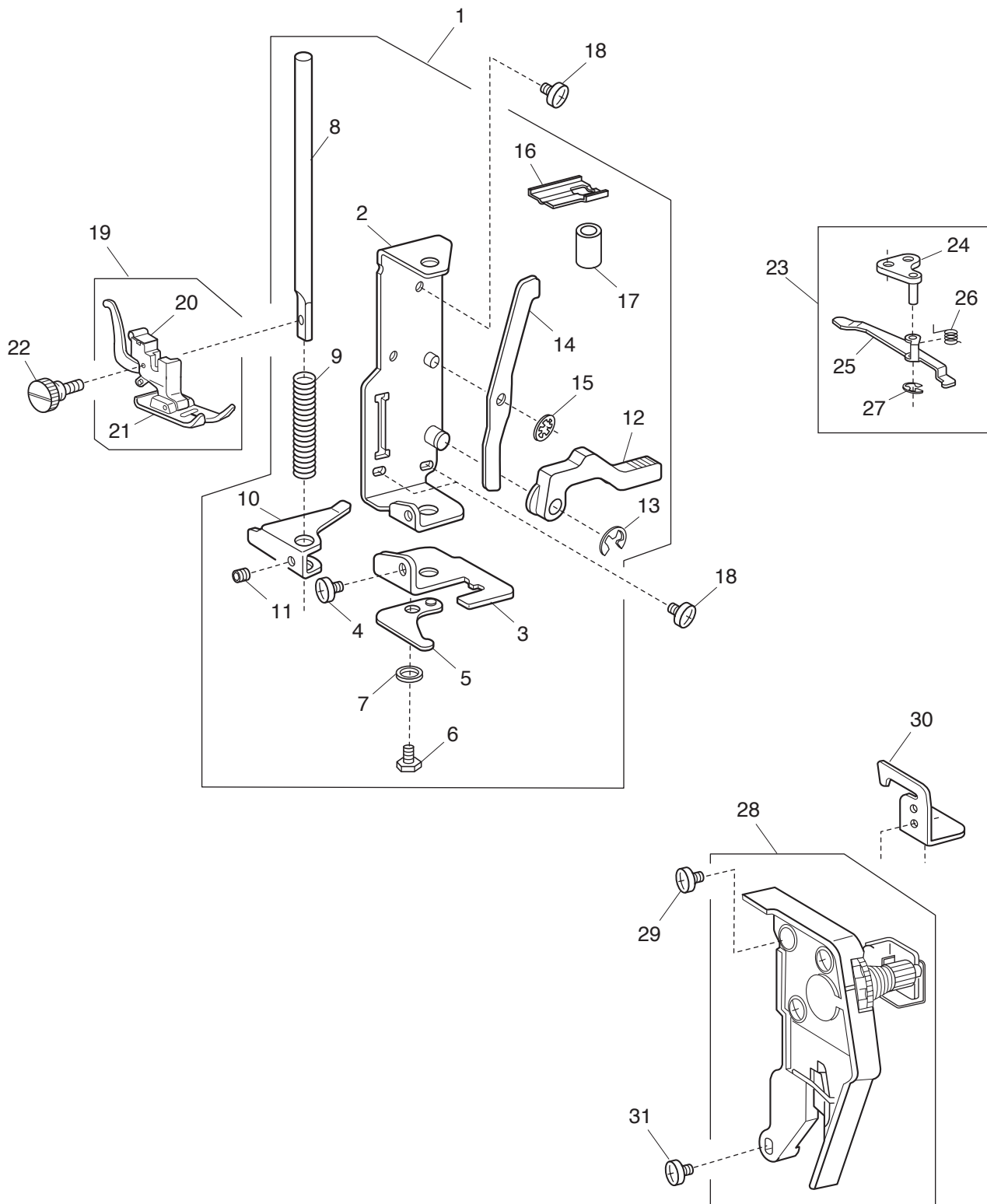
PARTS LIST



PARTS LIST

KEY NO.	PARTS NO.	DESCRIPTION
1	741601566	Rear cover (unit)
2	741001560	Rear cover
3	652205006	Spool pin
4	652302004	Spool pin
5	736007009	Spool pin spring
6	000076317	Setscrew 3x10
7	735013005	Spool pin spring base
8	730006000	Spring
9	000101404	Setscrew 4x6
10	000061205	Nut 4-3-7
11	739004005	Bed cover plate
12	000115205	Setscrew TP 4x6
13	000081005	Setscrew 4x8
14	000121905	Tapping screw 4x12 (B)
15	653006101	Cap
16	741625968	Front cover (unit)
17	741076979	Front cover
18	730501011	Thread guide plate (unit)
19	000160102	Adjustable lock nut 4
20	735016307	Bobbin winder stopper
21	000071013	Washer
22	000103107	Setscrew 4x14
23	740022003	Thread guide plate
24	000107307	Tapping screw 3x8 (B)
25	741502005	Extension table (unit)
26	741620099	Face cover (unit)
27	741064251	Face cover
28	840602006	Thread cutter (unit)
29	827099003	Reflex sticker
30	735616200	Rubber base (unit)
31	735002001	Rubber base
32	000097901	Flat screw 5x18
33	000061319	Nut 5-1-8
34	739064003	Bed rubber base
35	739005006	Base plate

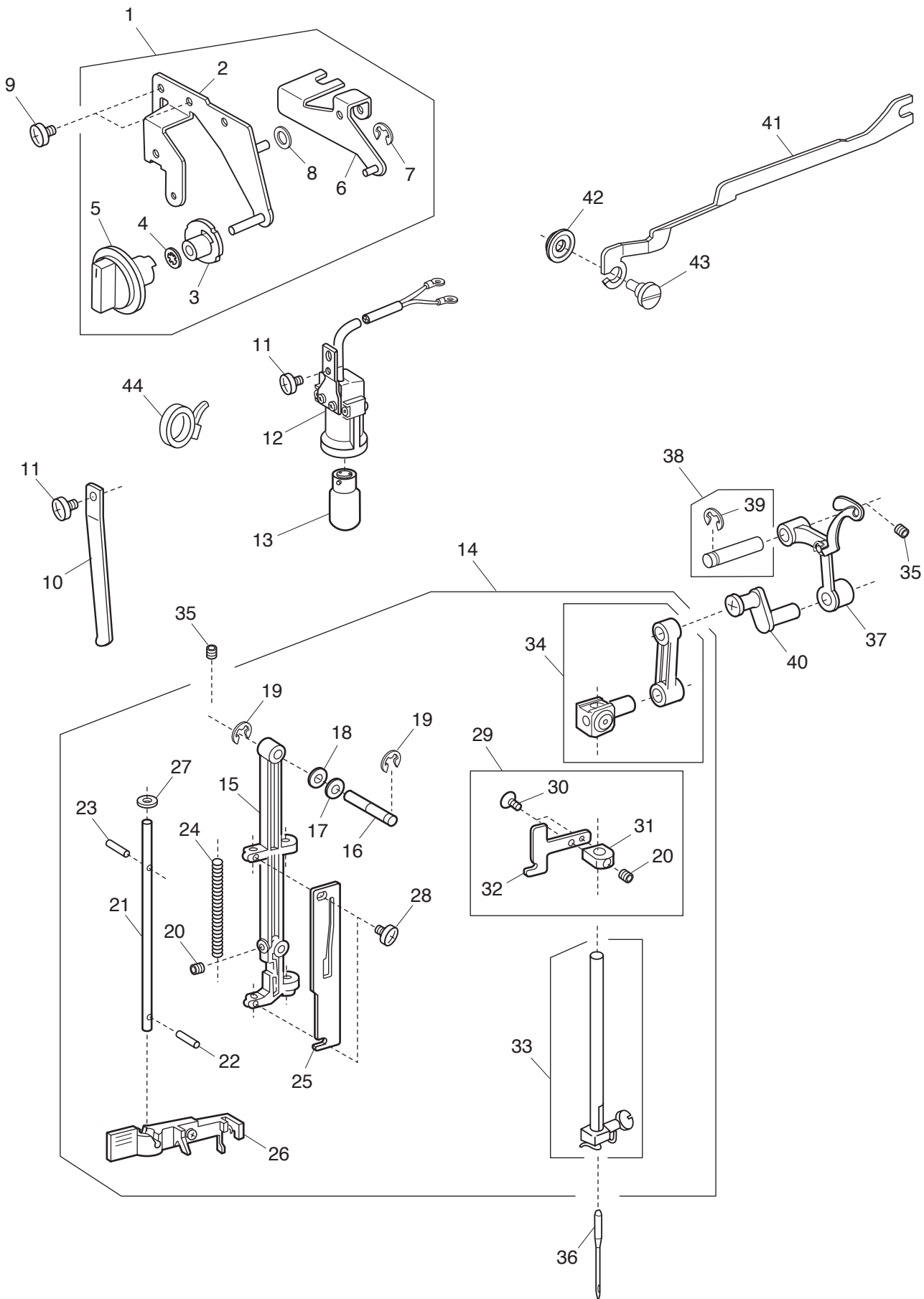
PARTS LIST



PARTS LIST

KEY NO.	PARTS NO.	DESCRIPTION
1	301604208	Presser bar base plate (unit)
2	735221008	Presser bar base plate
3	735222009	Needle drop adjusting plate
4	000101404	Setscrew 4x6
5	735025000	Needle bar supporter stopper
6	000138307	Bolt 4x8
7	000070506	Washer
8	303017101	Presser bar
9	301020008	Presser bar spring
10	735028003	Presser bar bracket
11	000111500	Hexagonal socket screw 4x8
12	735029004	Presser foot lifter
13	000001609	Snap ring E-5
14	735030008	Tension release lever
15	000013903	Snap ring CS-5
16	301018003	Presser bar regulating plate
17	301019004	Presser bar bushing
18	000081005	Setscrew 4x8
19	301612106	Presser foot (unit)
20	611510103	Presser foot holder (unit)
21	301505002	Zigzag foot (unit)
22	647112009	Thumb screw
23	741604008	Tension release arm (unit)
24	739017001	Tension release arm base
25	741008006	Tension release arm
26	739019003	Tension release spring
27	000002105	Snap ring E-3
28	741503006	Tension assembly (unit)
29	000103808	Setscrew 3x5
30	739016000	Top cover thread guide
31	000101703	Setscrew 4x12

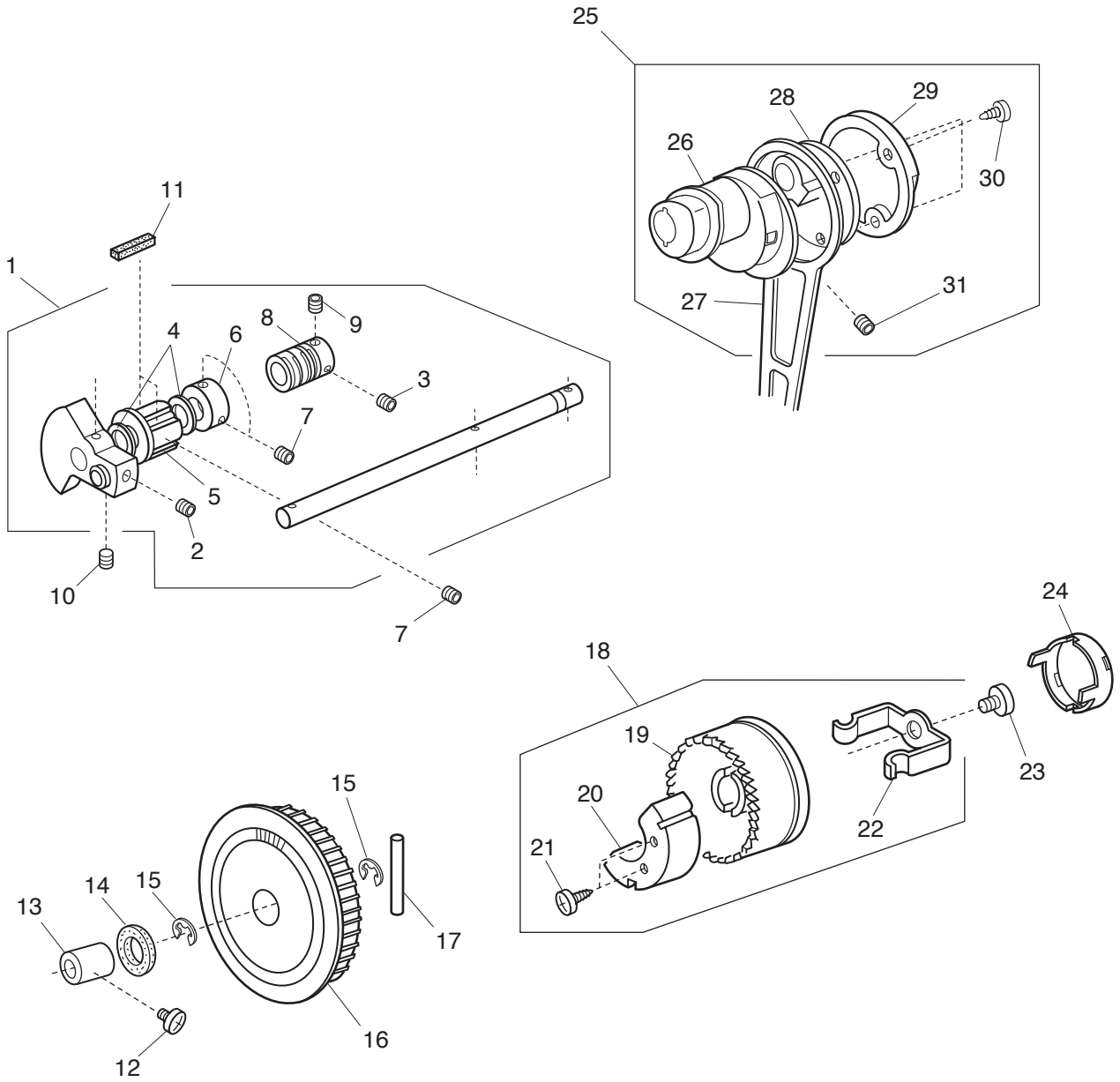
PARTS LIST



PARTS LIST

KEY NO.	PARTS NO.	DESCRIPTION
1	747611109	Face cover set plate (unit)
2	301008206	Face cover set plate
3	301021009	Presser adjusting plate
4	000013800	Snap ring CS-6
5	741065001	Foot presser dial
6	747018007	Foot presser adjusting arm
7	000001609	Snap ring E-5
8	000072601	Washer
9	000081005	Setscrew 4x8
10	730024004	Needle bar supporter spring
11	000101404	Setscrew 4x6
12	743634003	Lamp socket (unit) 240V
13	000009009	Lamp 240V 15W
14	301611105	Needle bar supporter (unit)
15	301032106	Needle bar supporter
16	730022002	Needle bar supporter pin
17	673022002	Wave washer
18	000070609	Plain washer
19	000002507	Snap ring E-4
20	000111902	Hexagonal socket screw 3x4
21	301034005	Threader shaft
22	000003508	Knock pin
23	000122906	Guide pin
24	734094007	Threader shaft spring
25	735196003	Threader guide plate
26	639643009	Threader plate (unit)
27	734107004	Washer
28	000101105	Setscrew 3x4
29	735628009	Threader set plate (unit)
30	000097602	Setscrew 2x4
31	734102009	Threader base plate
32	735197004	Threader set plate
33	730503116	Needle bar (unit)
34	680504005	Needle bar connecting stud (unit)
35	000111304	Hexagonal socket screw 5x5
36	102408089	Needle HA1-14
37	625506109	Thread take-up lever (unit)
38	731511006	Thread take-up lever pin (unit)
39	000002806	Snap ring E-6
40	735504008	Needle bar crank pin (unit)
41	735119002	Zigzag rod
42	748021006	Zigzag rod plain washer
43	678084007	Eccentric pin
44	000053709	Cord tie band

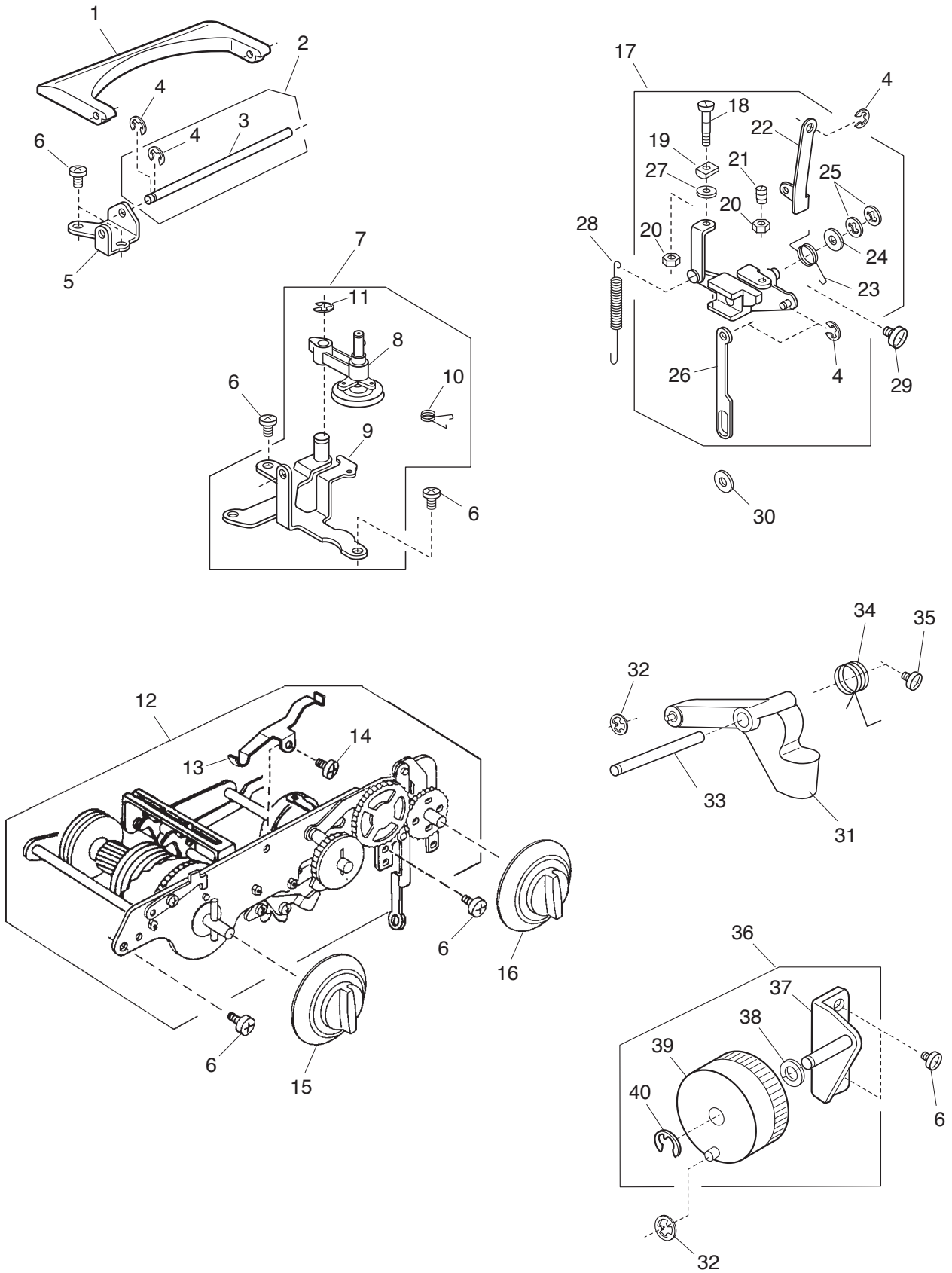
PARTS LIST



PARTS LIST

KEY NO.	PARTS NO.	DESCRIPTION
1	304607004	Upper shaft (unit)
2	102073003	Setscrew
3	000112501	Hexagonal socket screw 4x4
4	000036717	Thrust washer
5	732025001	Upper shaft front bushing
6	639095000	Ring
7	000111304	Hexagonal socket screw 5x5
8	749011109	Worm
9	000111201	Hexagonal socket screw 4x4
10	761052007	Setscrew
11	731312005	Felt
12	000172602	Setscrew 5x8
13	732003003	Upper shaft rear bushing
14	743029009	Felt
15	000030205	Snap ring E-8
16	743019006	Belt wheel
17	000023803	Spring pin
18	743630009	Handwheel (unit)
19	639097024	Handwheel
20	743030003	Balance weight
21	000121400	Setscrew 3x14 (B)
22	639113016	Clutch spring
23	000081005	Setscrew 4x8
24	650070509	Clutch cap
25	304609006	Crank rod (unit)
26	304042005	Feed cam
27	743011008	Crank rod
28	304044007	Crank cam
29	304043006	Crank cam plate
30	000161309	Setscrew 3x12 (B)
31	000110107	Hexagonal socket screw 5x5

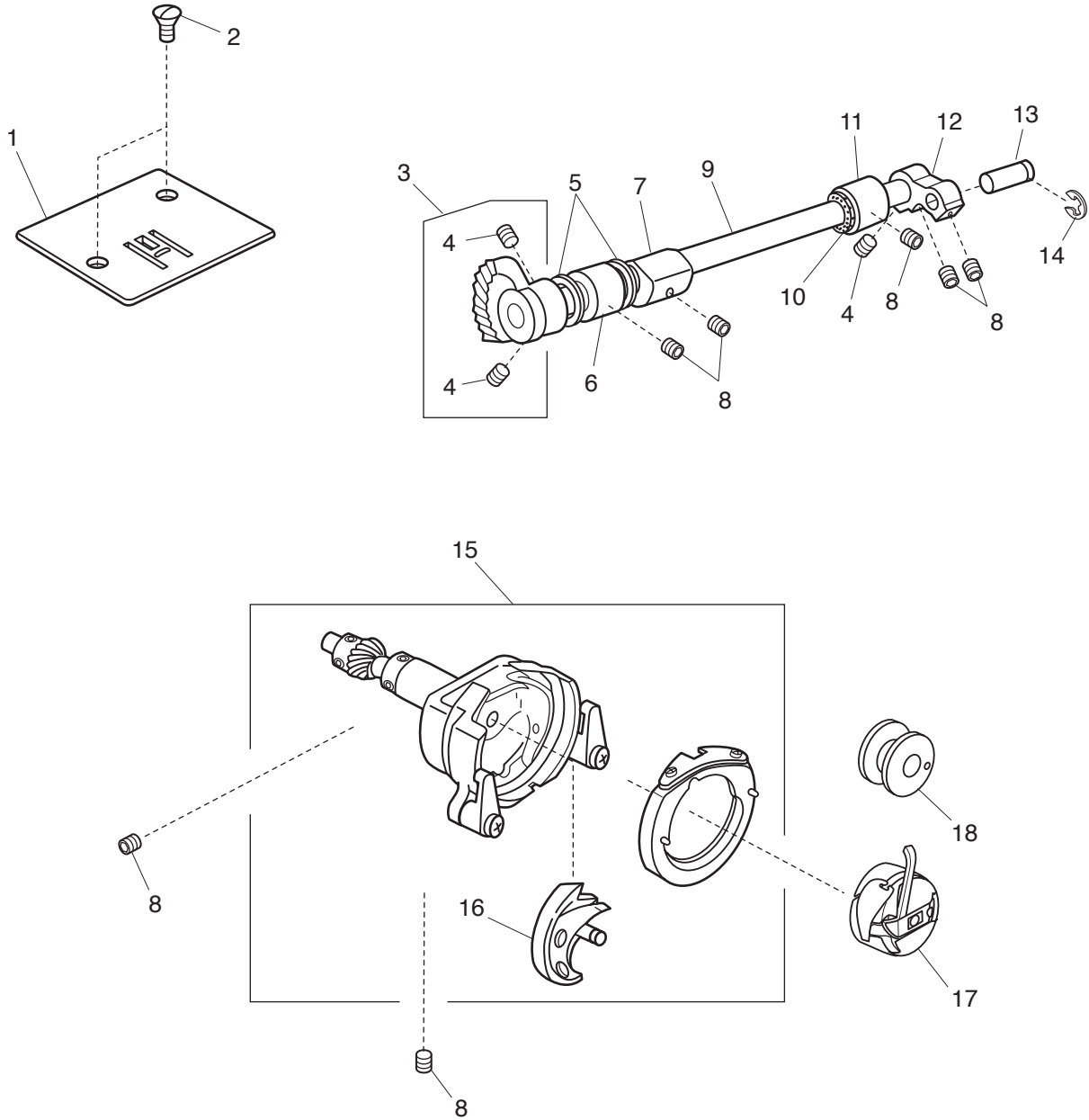
PARTS LIST



PARTS LIST

KEY NO.	PARTS NO.	DESCRIPTION
1	741009007	Handle
2	740624001	Carrying handle set pin (unit)
3	740011009	Handle shaft
4	000002105	Snap ring E-3
5	740010008	Handle supporter
6	000081005	Setscrew 4x8
7	740602209	Bobbin winder supporter (unit)
8	735501005	Bobbin winder arm (unit)
9	740003101	Bobbin winder base plate
10	740042009	Bobbin winder arm spring
11	000002806	Snap ring E-6
12	741626006	Zigzag mechanism (unit)
13	737011009	Index spring
14	000103808	Setscrew 3x5
15	741021005	Pattern selector dial
16	741022006	Stitch length dial
17	736604105	Feed regulator (unit)
18	735074004	SS adjusting screw
19	735076006	SS rod block
20	000160102	Adjustable lock nut 4
21	648010009	Setscrew
22	739020007	Feed regulating rod
23	735077007	Feed regulating body spring
24	735073003	Plain washer
25	000013800	Snap ring CS-6
26	745052007	Reverse link
27	000071013	Washer 4
28	740125001	Feed regulator spring
29	000172602	Setscrew 5x8
30	000070609	Washer
31	741067003	R button
32	000014007	Snap ring CS-4
33	736015000	R button shaft
34	739063002	R button spring
35	000101301	Setscrew 5x10
36	741624129	Stitch width control (unit)
37	741073002	Stitch width set plate
38	000116206	Wave washer
39	741074405	Stitch width control
40	000001609	Snap ring E-5

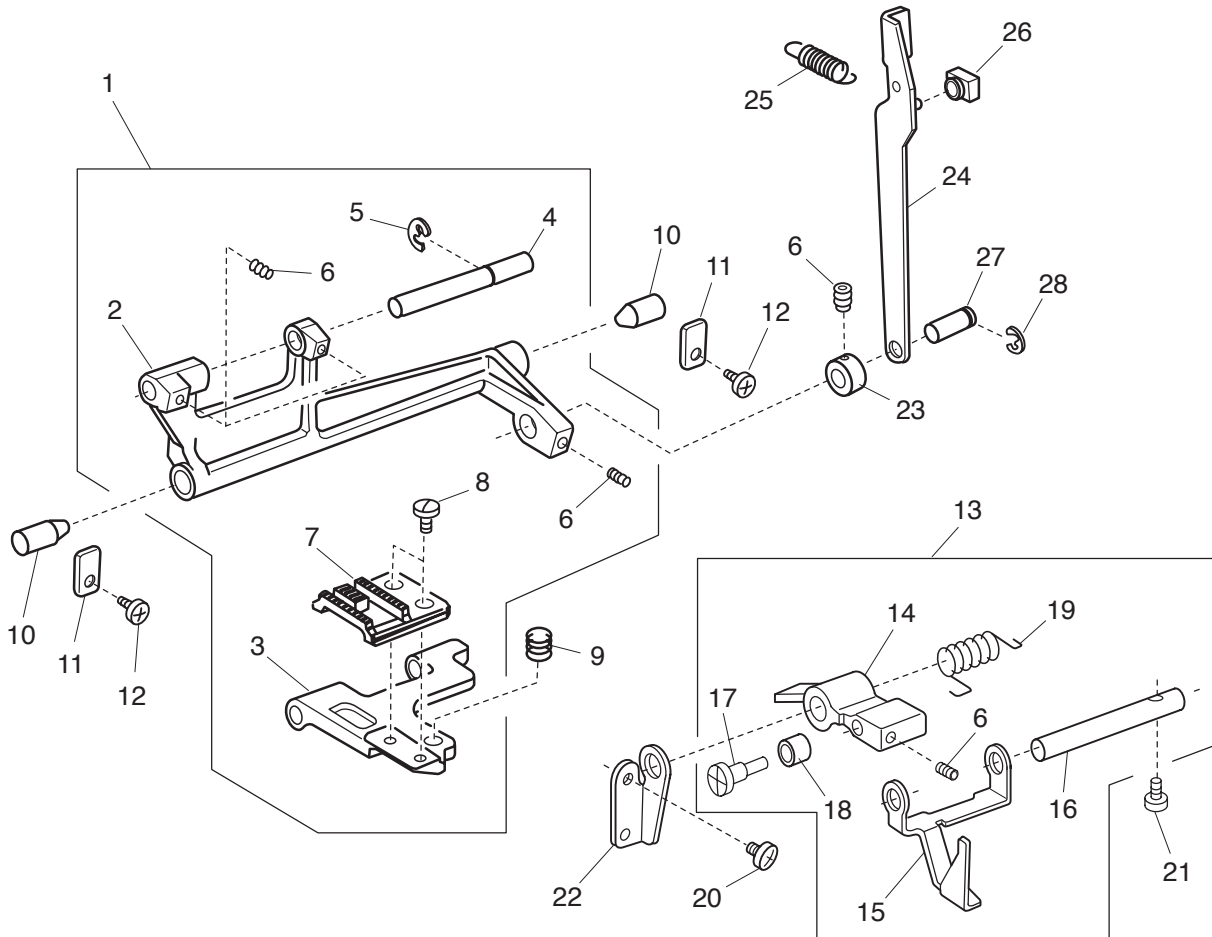
PARTS LIST



PARTS LIST

KEY NO.	PARTS NO.	DESCRIPTION
1	744004001	Needle plate
2	681009101	Setscrew
3	735950003	Lower shaft gear (unit)
4	000110107	Hexagonal socket screw 5x5 WP
5	000036201	Washer 8-0.5
6	735233003	Bushing
7	735061101	Feed lifting cam
8	000111304	Hexagonal socket screw 5x5
9	735236006	Lower shaft
10	822070003	Felt
11	735234004	Bushing
12	639036003	Lower shaft crank arm
13	639037004	Pin
14	000001609	Snap ring E-5
15	735610101	Shuttle race body (unit)
16	532096007	Shuttle hook
17	647515006	Bobbin case (unit)
18	102261000	Bobbin

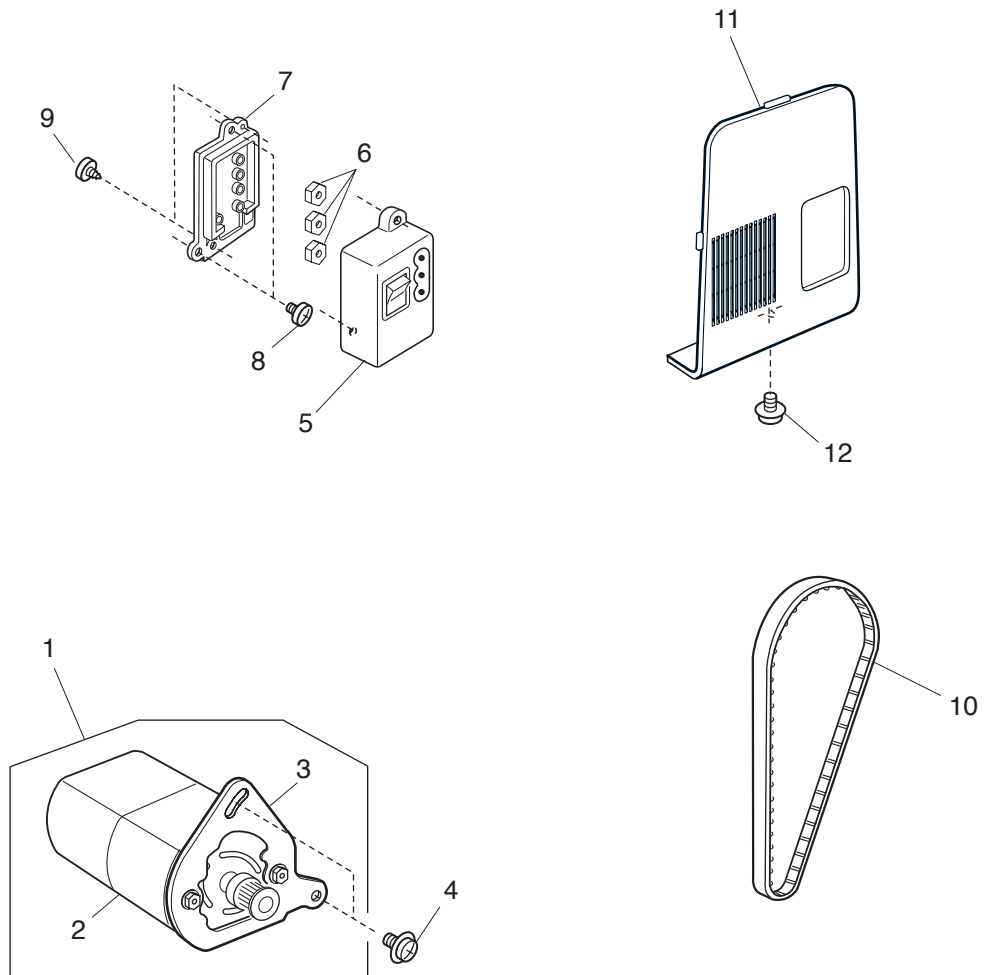
PARTS LIST



PARTS LIST

KEY NO.	PARTS NO.	DESCRIPTION
1	735612000	Feed rock shaft (unit)
2	735078008	Feed rock shaft
3	735079009	Feed bar
4	735080003	Feed bar shaft
5	000002507	Snap ring E-4
6	000111201	Hexagonal socket screw 4x4
7	735081004	Feed dog
8	735082005	Setscrew
9	735083006	Feed bar spring
10	735084007	Feed rock shaft center
11	735085008	Feed rock shaft center plate
12	000101404	Setscrew 4x6
13	301609007	Feed lifting arm (unit)
14	301027005	Feed lifting arm
15	740013001	Drop feed selecting plate
16	735090006	Feed lifting shaft
17	735087000	Feed lifting pin
18	735088001	Feed lifting roller
19	730061003	Feed lifting spring
20	000081119	Setscrew 4x6
21	000101703	Setscrew 4x12
22	739022009	Feed lifting shaft holder
23	735276008	Ring
24	743012009	Feed rod
25	743013000	Feed rod spring
26	102141003	Feed regulator slide block
27	735071104	Feed rock shaft connecting pin
28	000002806	Snap ring E-6

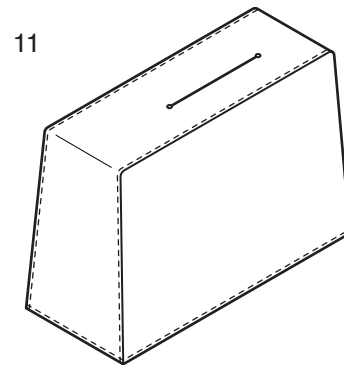
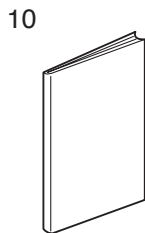
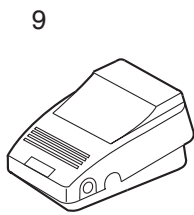
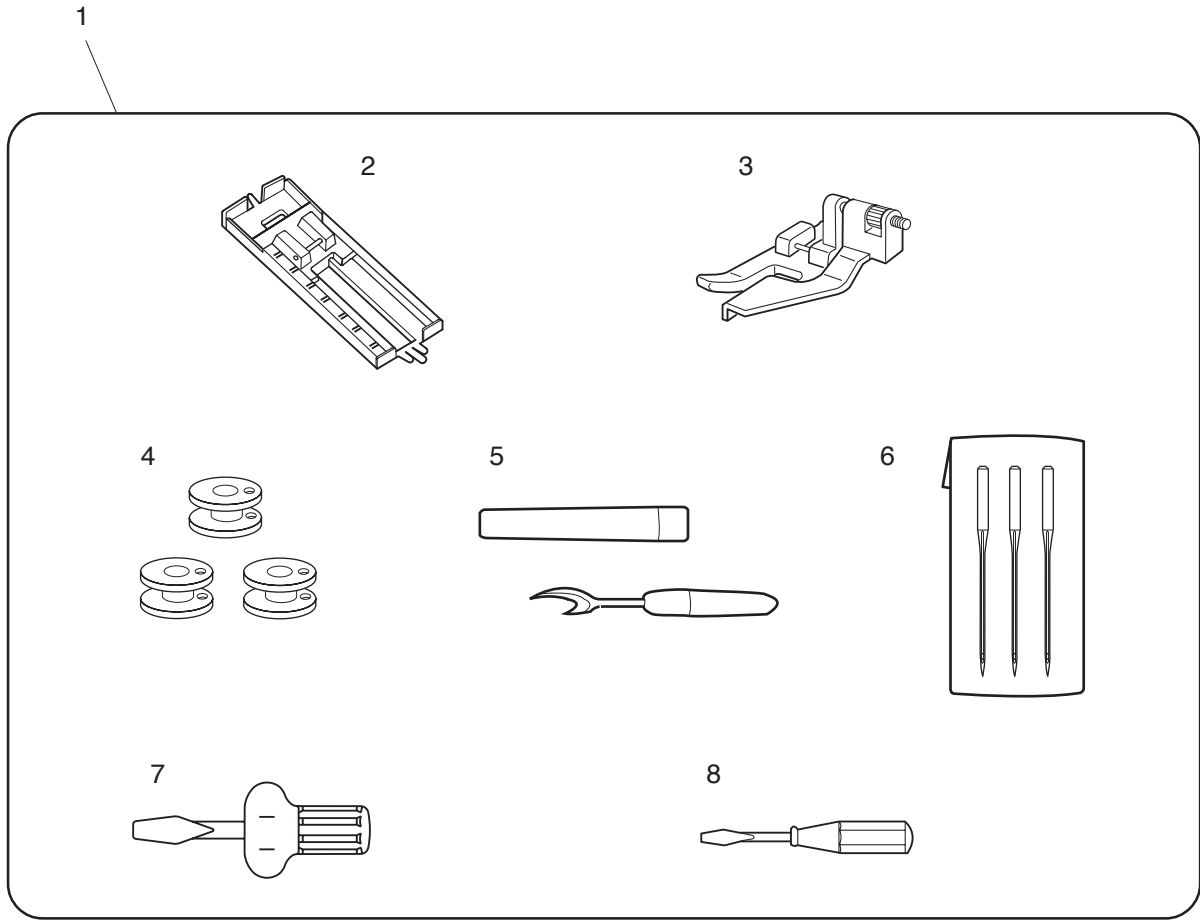
PARTS LIST



PARTS LIST

KEY NO.	PARTS NO.	DESCRIPTION
1	743611004	Motor (unit)
2	024070108	Motor assy
3	743025005	Motor set plate
4	000201209	Setscrew 5x12
5	739503308	Machine socket (unit)
6	000060802	Nut
7	739037007	Machine socket cover
8	000103509	Setscrew 4x10
9	000107802	Setscrew 3x10 (B)
10	650166019	Motor timing belt
11	741029003	Belt cover
12	000115205	Setscrew TP 4x6

PARTS LIST



PARTS LIST

KEY NO.	PARTS NO.	DESCRIPTION
1	741870801	Accessory set
2	611413002	Buttonhole foot
3	611411000	Blind hem stitch foot
4	102261000	Bobbin
5	647808009	Buttonhole opener
6	639804000	Needle set
7	820832005	Screw driver (large)
8	647803004	Screw driver (small)
9	042870308	Foot control
10	741800534	Instruction book
11	741811000	Cover
