

PIÈCES DE RECHANGE
ERSATZTEILE
SPARE PARTS
PIEZAS DE RECAMBIO

elna

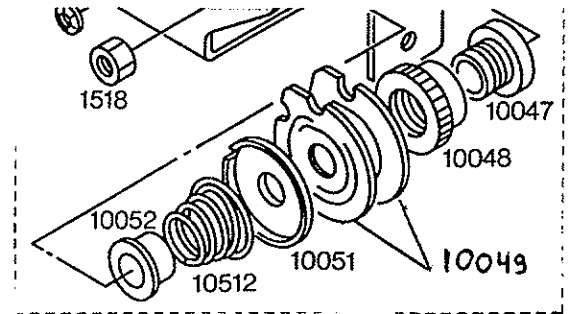
PRO
904 DCX

PRO
905 DCX

MODIFICATIONS OF SPARE PARTS CATALOGUE 396 900-20

PRO 904/905 DCX

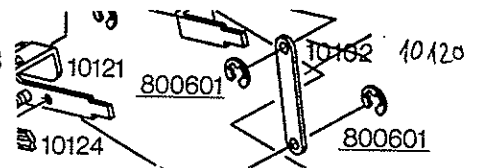
Page 4 : The No. for
10049 396'014-94 Dial tension
concerns both discs (left & right)



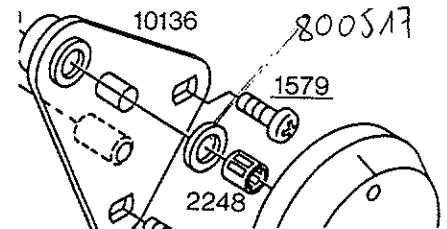
Page 8 : The correct TAV. No. for
10073 is 396'001-75 and not 396'001-73

The correct TAV. No. for
10457 is 396'017-04 and not 396'014-04

Page 10 : 10102 396'015-75 Feed bar is correct
10120 396'015-88 S.L. Lever conn. rod is
correct and not 10102 as
mentioned on drawing page



Page 12 : 800517 395'048-46 Washer STW-FT 6x1 is
missing on drawing page



Page 13 : The correct No. for 4908 Needle assortment
is 396'001-51 and not 396 001-52

The correct No. for
10478 is 396'001-63 and not 396'161-52

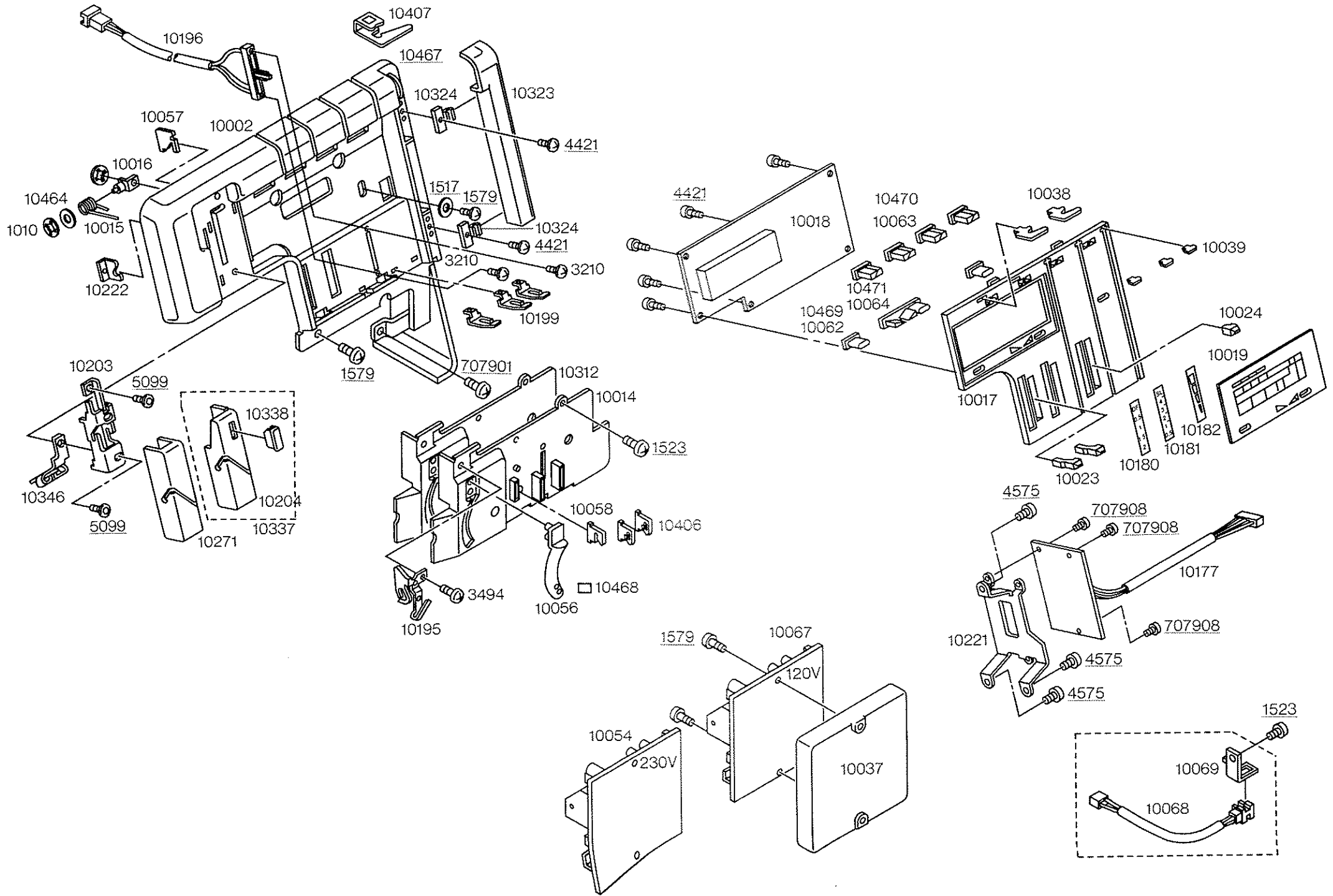
Page 14 : The correct No. for 10482 Needle plate for pearl
foot 904 is 396'013-51 and not 396'015-51

The correct No. for 10483 Needle plate for pearl
foot 905 is 396'013-52 and not 396'015-52

The correct No. for Carrying bag is 396'013-62
and not Pro 4/5 396'000-00

INDEX

1. Front / face covers, main circuit, LCD display (PCB)
2. Back / side covers, spool stand and antenna
3. Front flap, base, transformer
4. Step motor, tension unit and PCB
5. Safety-device system and accessory stand
6. Motors, foot control, cords, bulb, Jack-connection
7. Casing
8. Needle bar, presser bar instant rolled hem device, thread tak-up lever, needle plates
9. Lower looper, parts on the lower looper axle, lower looper release mechanism, upper looper, chain looper, parts on the chain axle, looper thread take-ups
10. Feed-dogs and mechanical feeding-system
11. Flywheel, counterweight balances, motor belt, lower shaft, eccentrics, rods, collars, ball-connecting rods
12. Moving-fixed cutters mechanism
13. Standard accessories
14. Optional attachments and accessories
15. Parts number index

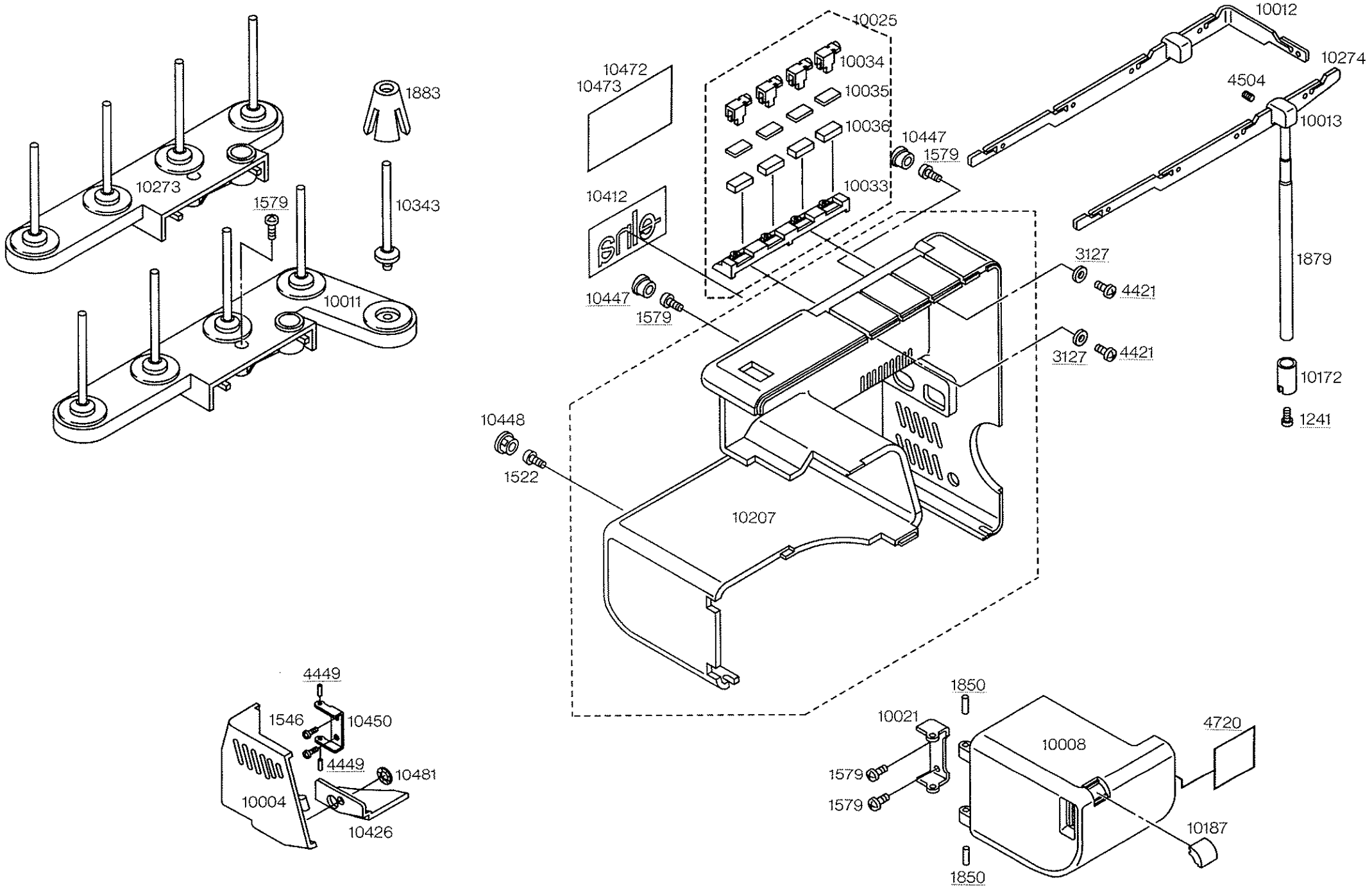


PART NO.	TAVARO NO.	NAME OF PART
1010	396012-66	M4 clip ring
<u>1517</u>	395052-14	Washer 9x4x0.8
<u>1523</u>	395052-18	Screw M4x8
<u>1579</u>	395052-57	Screw M4x10
3300	396006-05	Screw M2x4B
<u>3494</u>	396007-80	Screw TPM4x12
<u>4421</u>	396011-39	Tapping screw M3x8.5
<u>4575</u>	396011-84	Tapping screw M4x8 S
5099	396013-01	M4x12 Cap screw
10002	396016-31	Front panel
10014	396016-32	Inside cover, 905
10015	396016-33	Check spring, 905
10016	396016-34	Check spring stud, 905
10017	396016-35	LCD base plate
10018	396016-36	LCD display PCB
10019	396016-37	Display window
10023	396016-38	Feed control knob
10024	396016-39	Speed reducer knob
10037	396016-40	PCB insulation case
10038	396016-41	Upper thread guide
10039	396016-42	Top thread guide
10054	396016-43	Main PCB, 230V
10056	396016-44	Upper looper take-up lever cover
10057	396016-45	CS thread base guide
10058	396016-46	Thread guide, for yellow & green
10062	396016-77	LCD function key, release/card,white
10063	396016-75	LCD function key, tension +/-,white
10064	396016-76	LCD function key, program,white
10067	396016-47	Main PCB, 120V
10068	396016-48	Needle position sensor
10069	396016-49	NP bracket
10177	396016-50	PCB for IC card
10180	396016-51	D.F. guide mark
10181	396016-52	S.L. guide mark
10182	396016-53	Speed reducer mark
10195	396016-54	Thread guide
10196	396016-55	Speed reducer
10199	396016-56	Thread guide
10203	396016-57	Take-up lever inside cover bracket
10204	396016-58	Take-up lever cover noise/cap (905)

PART NO.	TAVARO NO.	NAME OF PART
10221	396016-59	PCB support, IC card
10222	396016-60	Needle thread guide
10271	396016-61	Take-up lever noise cover, 904
10312	396016-62	Inside cover, 904
10323	396016-63	Pro-card door
10324	396016-64	Pro-card hinge
10337	396016-65	Take-up lever noise cover,assem..905
10338	396016-66	Check spring cover
10346	396016-67	Needle thread guide
10406	396016-69	CS thread guide
10407	396016-70	CS top thread guide
10464	396016-71	STW 7.5 P3x1 Washer
<u>10467</u>	396015-36	CS dial tension indication sticker
10468	396016-78	CS thread guide mark sticker
10469	396016-72	LCD function key,release/card,gre
10470	396016-73	LCD function key,tension +/-,grey
10471	396016-74	LCD function key,program,gre
<u>707901</u>	395430-00	Screw TPM 4x8
<u>707908</u>	395049-39	Screw M3x5

PART NO.	TAVARO NO.	NAME OF PART
----------	------------	--------------

2

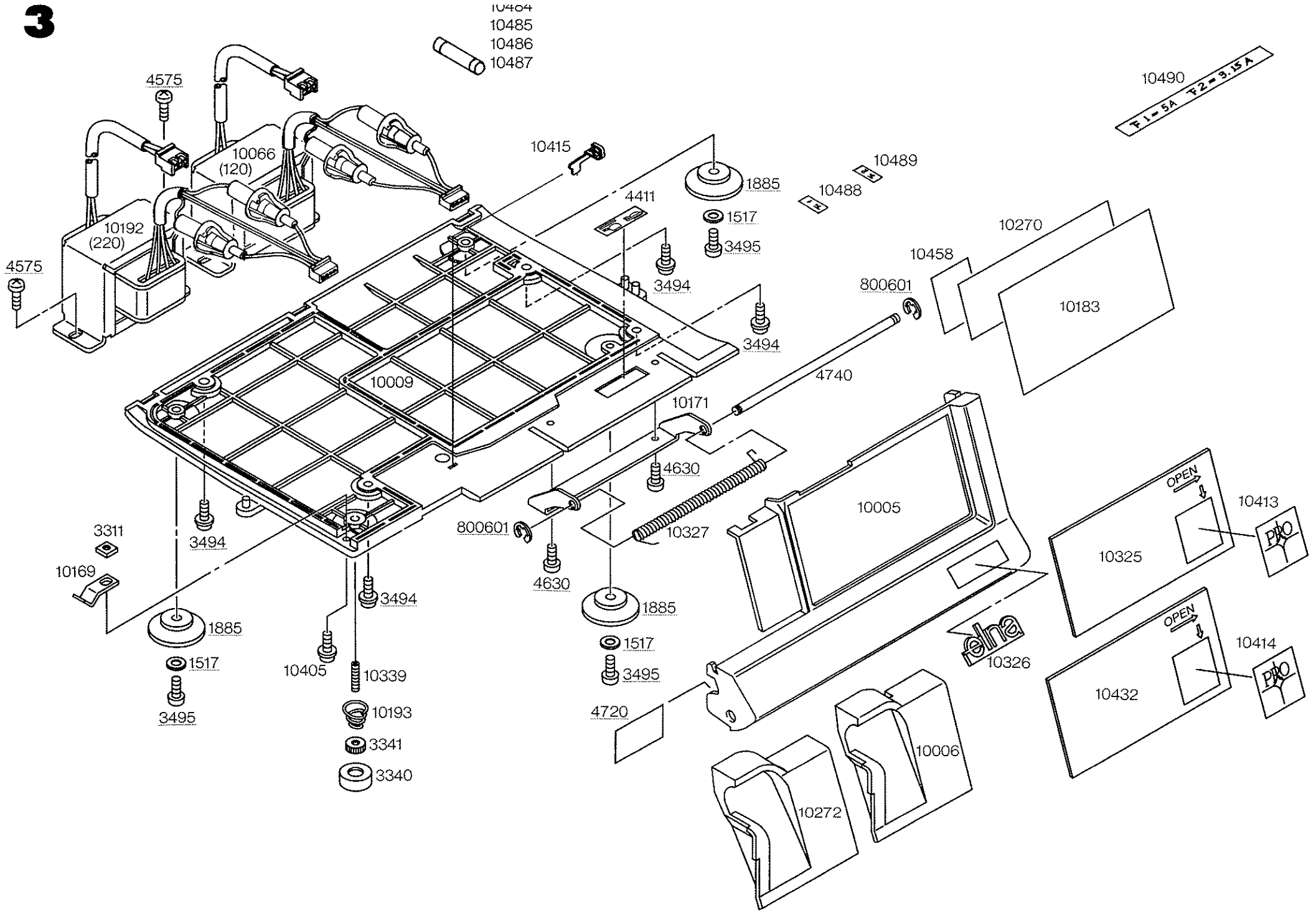


PART NO.	TAVARO NO.	NAME OF PART
1241	395049-19	Screw - TPM4x10
1522	395052-17	Screw M4x14
1546	395052-37	Screw M4x6
1579	395052-57	Screw M4x10
1850	396003-16	Roll pin 3x12
1879	396015-44	Thread guide pole/antenna
1883	396002-10	Spool holder
3127	396007-98	Washer 3x8x0.5
4421	396011-39	Tapping screw M3x8.5
4449	396011-49	Parallel pin 3x10
4504	396011-57	Grub screw M3x8
4720	396012-31	Face cover caution label (UL/CSA)
10004	396015-45	Lamp cover
10008	396015-46	Left front cover
10011	396015-47	Spool stand, 905
10012	396015-48	Thread guide beam, 905
10013	396015-49	Pole/beam joint
10021	396015-50	Left front cover hinge
10025	396015-51	Top thread guide set
10033	396015-52	Top thread guide base
10034	396015-53	Top thread guide plate, upper
10035	396015-54	Top thread guide bottom
10036	396015-55	Top thread guide cushion
10172	396015-56	Antenna support rod
10187	396015-57	Cutting width dial window
10207	396015-58	Back cover
10273	396015-59	Spool stand, 904
10274	396015-60	Thread guide beam, 904
10343	396015-61	Spool pin, snap-on
10412	396015-62	elna mark for back cover
10426	396015-63	Protection lamp cover
10447	396015-64	Screw holl cap M8
10448	396015-65	Screw holl cap M9
10450	396015-66	Lamp cover hinge
10472	396015-68	Serial number plate, 120V
10473	396015-69	Serial number plate, 230V
10481	396015-67	Clip washer

PART NO.	TAVARO NO.	NAME OF PART
----------	------------	--------------

PART NO.	TAVARO NO.	NAME OF PART
----------	------------	--------------

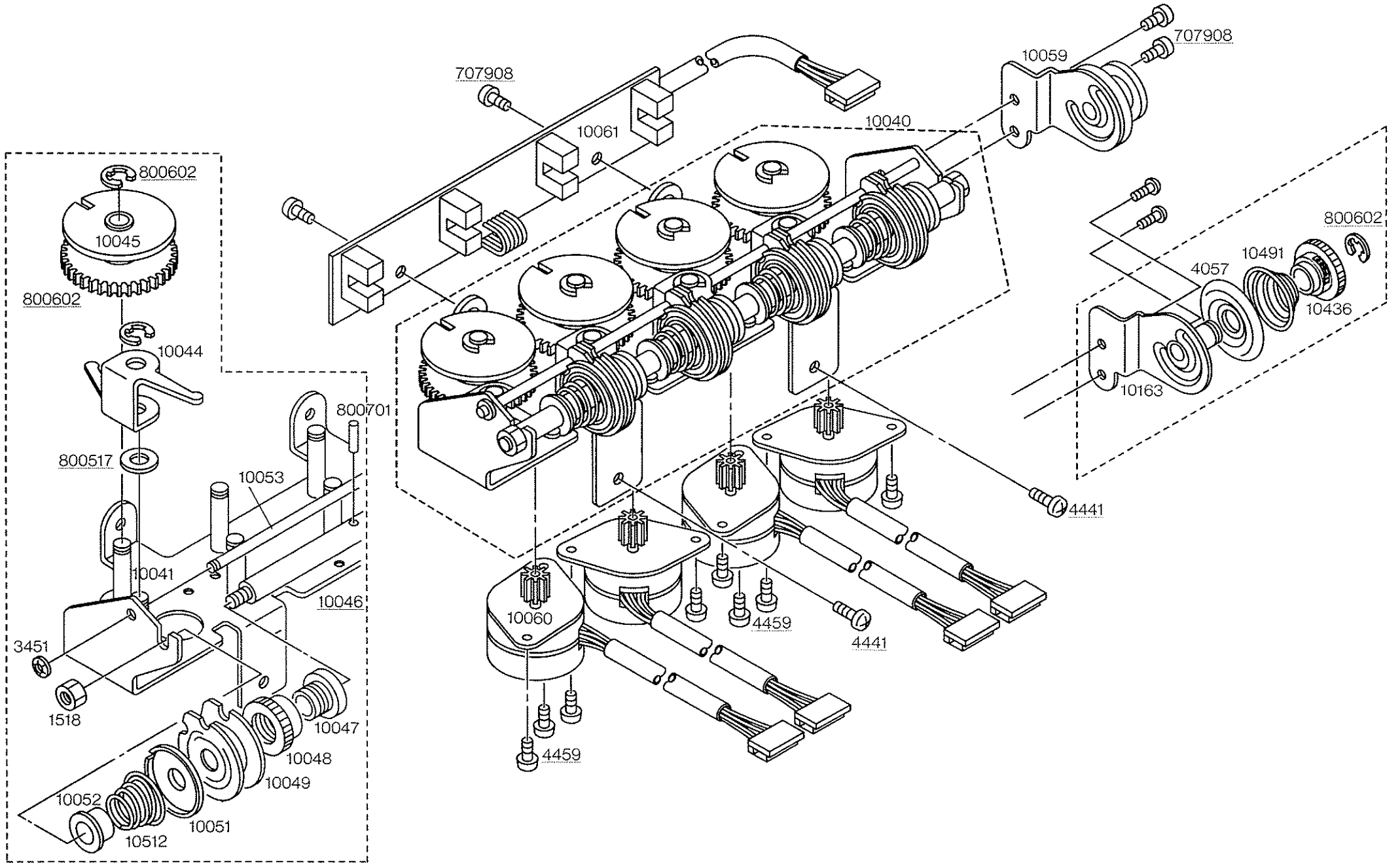
3



PART NO.	TAVARO NO.	NAME OF PART
1517	395052-14	Washer 9x4x0.8
1885	396003-40	Rubber foot
3311	396007-42	Spring stopper plate
3340	396006-29	Adjustable foot (solid rubber)
3341	396006-30	Foot holder nut
3494	396007-80	Screw TPM4x12
3495	396007-81	Tapping screw M3x12
4411	396011-31	Release lever mark
4575	396011-84	Tapping screw M4x8 S
4630	396012-17	Tapping screw M4x10 PC
4720	396012-31	Face cover caution label (UL/CSA)
4740	396012-84	Front flap hinge axle
10005	396015-15	Front flap
10006	396015-16	Overlock sewing table, 904
10009	396015-17	Base cover
10066	396015-18	TR set, 120V
10169	396015-19	Spring stopper plate
10171	396015-20	Front flap hinge
10183	396015-21	Threading chart, 905
10192	396015-22	TR set, 230V
10193	396015-23	Adj., foot spring
10270	396015-24	Threading chart, 904
10272	396015-25	Overlock sewing table, 904
10325	396015-26	Front flap panel, 905
10326	396015-27	elna brand name plate
10327	396015-28	Front flap hinge axle spring
10339	396015-29	Grub screw M4x16
10405	396015-30	TP screw M3x10
10413	396015-31	PRO design name 905
10414	396015-32	PRO design name 904
10415	396015-33	CS thread guide
10432	396015-34	Front flap panel, 904
10458	396015-35	CS threading chart
10484	396015-37	Fuse 5A, 120V
10485	396015-38	Fuse 3.15A, 120V
10486	396015-39	Fuse 5A, 220/240V
10487	396015-40	Fuse 3.15A, 220/240V
10488	396015-41	F1 mark
10489	396015-42	F2 mark
10490	396015-43	F1, F2 mark

PART NO.	TAVARO NO.	NAME OF PART
800601	395464-00	Snap ring #3

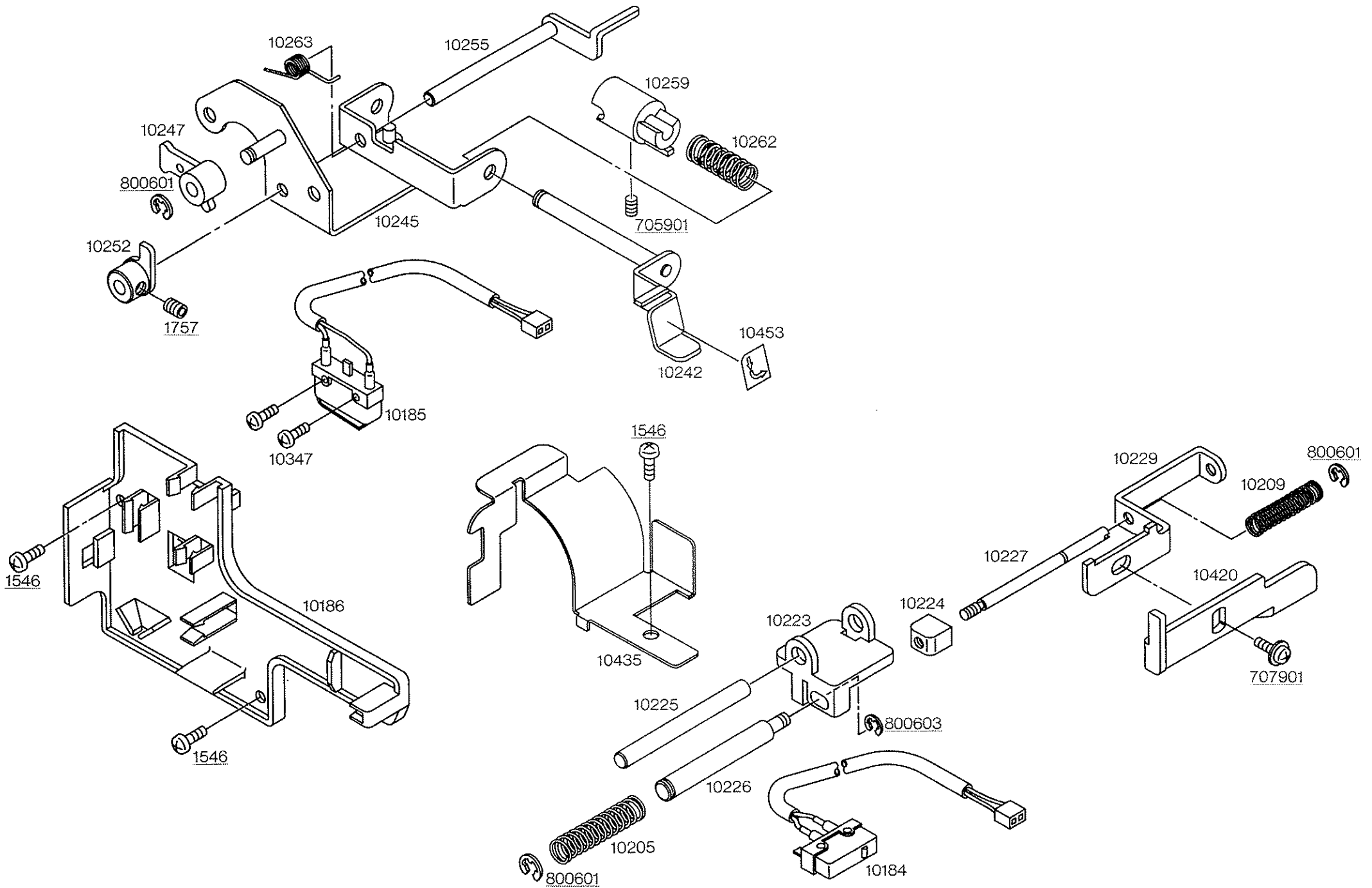
PART NO.	TAVARO NO.	NAME OF PART
----------	------------	--------------



PART NO.	TAVARO NO.	NAME OF PART
1518	395052-15	Nut M4
3451	396014-86	#3 CS Nut
4057	396009-46	Tension disc -- right
4441	396011-48	Tapping screw M4x10S
4459	396014-52	Screw M3x3
10040	396015-03	Dial tension camp. set
10041	396014-88	Tension unit support
10044	396014-89	Tension cam lever
10045	396014-90	Dial tension cam
10046	396014-91	Tension shaft
10047	396014-92	Tension screw
10048	396014-93	Fine tuning dial
10049	396014-94	Dial tension disc
10051	396014-95	Tension spring plate
10052	396014-96	Tension spring slider
10053	396014-97	DT support axle
10059	396014-98	Chain stitch dial tension, assem.
10060	396014-99	Step motor
10061	396015-04	PCB for dial tension
10163	396015-00	Chain stitch tension base
10436	396015-01	CS dial
10491	396015-02	CS tension spring
10512	396014-87	Tension spring ϕ 1.0-long
707908	395049-39	Screw M3x5
800517	395048-46	Washer STW-FT 6X1
800602	395465-00	Snap ring #4
800701	396012-27	Roll pin 2x10 SUS

PART NO.	TAVARO NO.	NAME OF PART
----------	------------	--------------

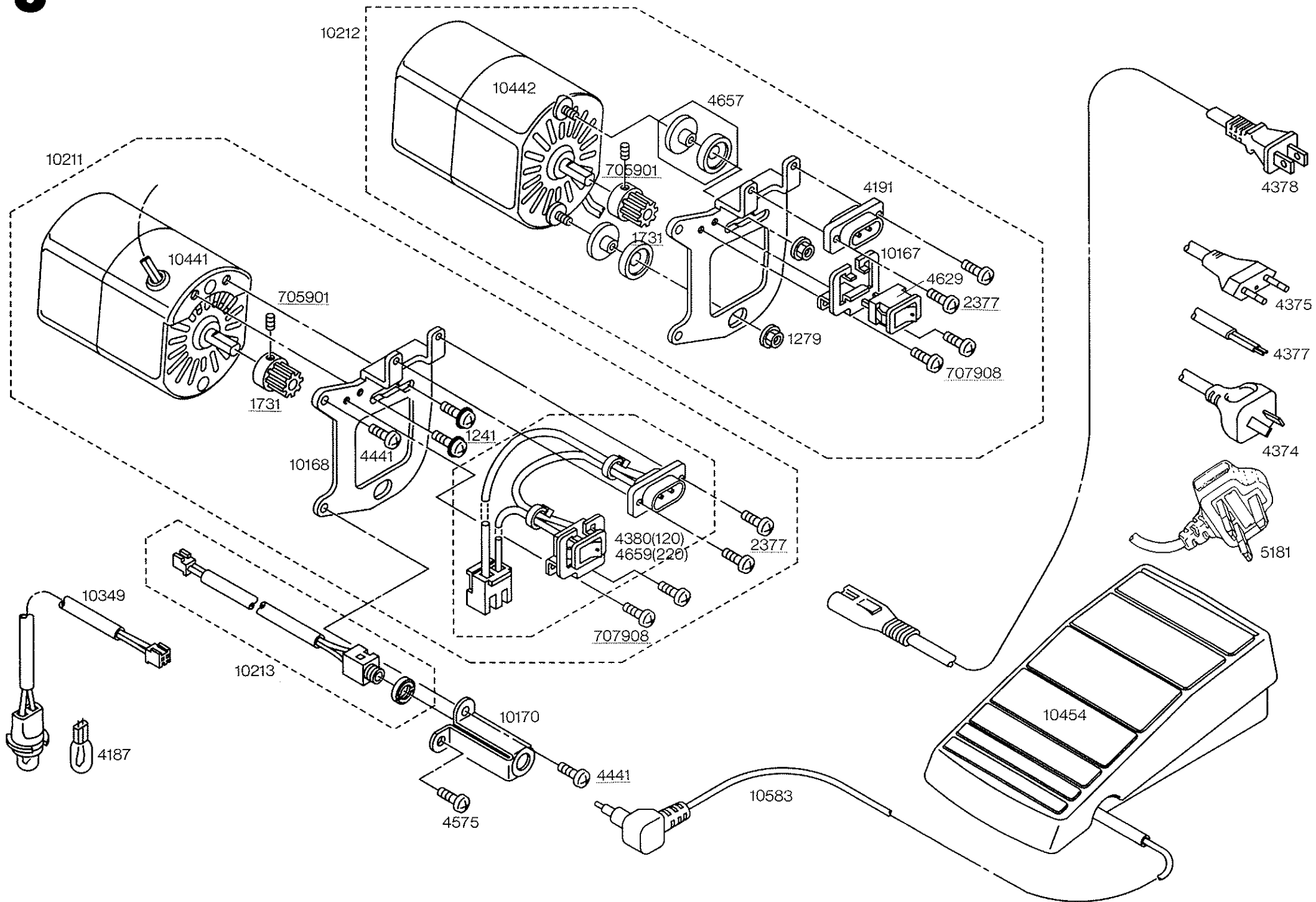
PART NO.	TAVARO NO.	NAME OF PART
----------	------------	--------------



PART NO.	TAVARO NO.	NAME OF PART
<u>1546</u>	395052-37	Screw M4x6
<u>1757</u>	395053-63	Grub screw M4x4
10184	396016-79	Micro switch for front flap
10185	396016-80	Micro switch for safety device
10186	396016-81	Accessory stand
10205	396016-82	Side door switch spring
<u>10209</u>	396014-66	Spring
10223	396016-83	Micro switch support
10224	396016-84	Micro switch conn. rod
10225	396016-85	Slide shaft
10226	396016-86	Push pin, A
10227	396016-87	Push pin, B
10229	396016-88	Rod bracket
10242	396016-89	Safety lever
10245	396016-90	Safety lever bracket
10247	396016-91	Safety lever cam
10252	396016-92	Safety lever
10255	396016-93	Safety lever connection
10259	396016-94	Safety lever conn. cam
10262	396016-95	Cam spring, B
10263	396016-96	Spring, C
10347	396016-97	Screw M2x10 pan
10420	396016-98	Bed cover support
10435	396016-99	AC cover
10453	396017-00	Swing mark seal
<u>705901</u>	395421-00	Grub screw M4x5
<u>707901</u>	395430-00	Screw TPM 4x8
<u>800601</u>	395464-00	Snap ring #3
<u>800603</u>	395466-00	Snap ring #5

PART NO.	TAVARO NO.	NAME OF PART
----------	------------	--------------

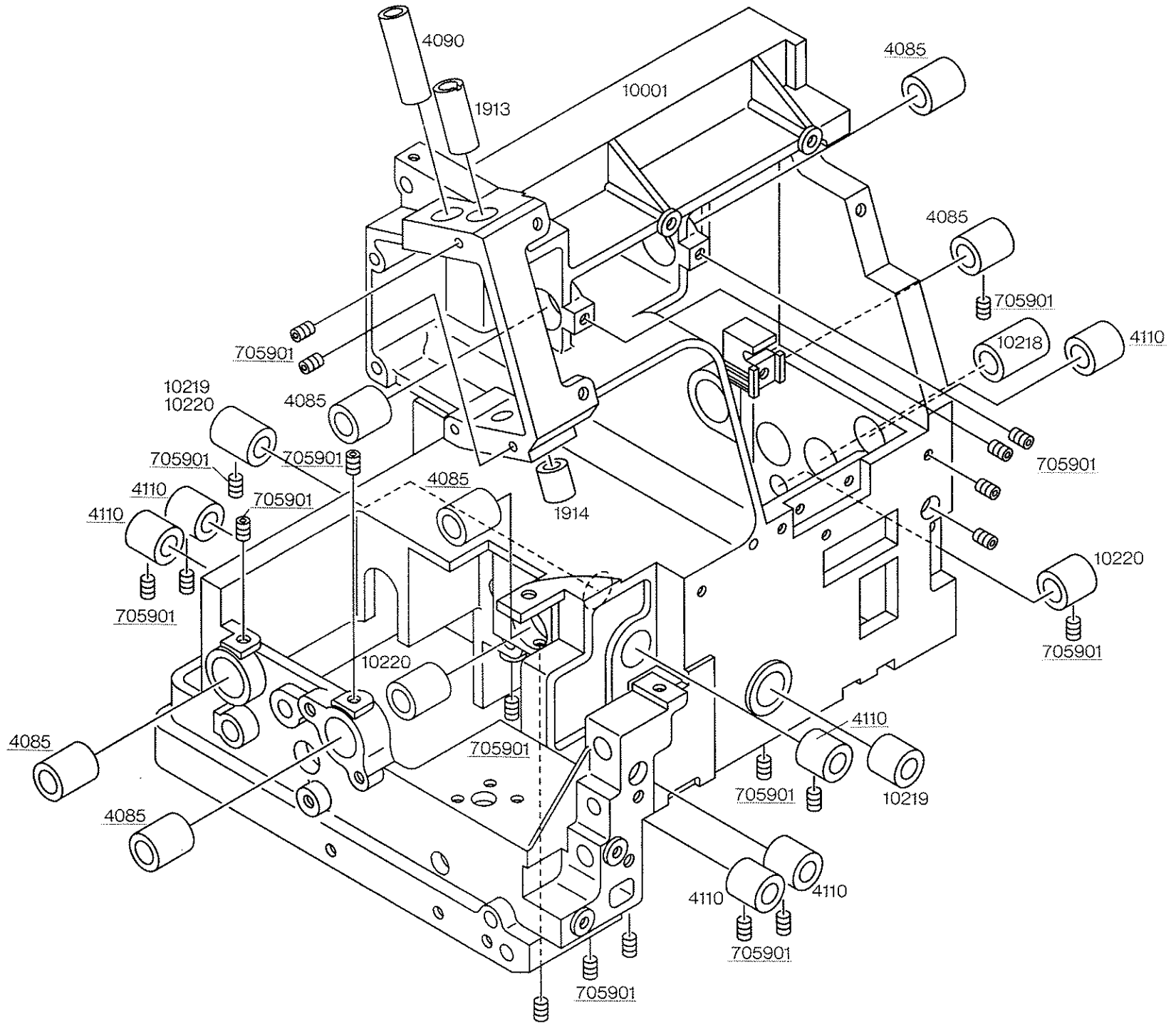
PART NO.	TAVARO NO.	NAME OF PART
----------	------------	--------------



PART NO.	TAVARO NO.	NAME OF PART
<u>1241</u>	395049-19	Screw - TPM4x10
1279	395049-20	Motor set nut M4
1731	395053-40	Motor pulley XL8
2377	396004-75	Screw M3x8
4187	396001-36	14V light bulb (DC)
4191	396010-43	Receptable
4374	396011-07	Power supply cord set(Aus/NZ)
4375	396011-08	Power supply cord set(CEE)
<u>4377</u>	396011-10	Power supply cord set(no plug)
4378	396011-11	Power supply cord set (USA/CND)
4380	396011-13	Wired TB/SW unit (DC) 120V
<u>4441</u>	396011-48	Tapping screw M4x10S
4575	396011-84	Tapping screw M4x8 S
4629	396015-05	Main switch
4657	396012-20	Motor insulating ring set
4659	396012-22	Wired TB/SW unit (DC)
5181	396013-04	Power supply cord set (GB)
10167	396015-06	Switch bracket
10168	396015-07	Motor bracket
10170	396015-08	Jack holder
10211	396015-09	Motor set, 230V
10212	396015-10	Motor set, 120V
10213	396015-11	Jack Set.
10349	396015-12	Lamp socket/wire set
10441	396015-13	Motor set 220/240V
10442	396017-03	Motor set 120V
10454	396015-14	Foot controller
10583	396017-05	Jack-cord
<u>705901</u>	395421-00	Grub screw M4x5
<u>707908</u>	395049-39	Screw M3x5

PART NO.	TAVARO NO.	NAME OF PART
----------	------------	--------------

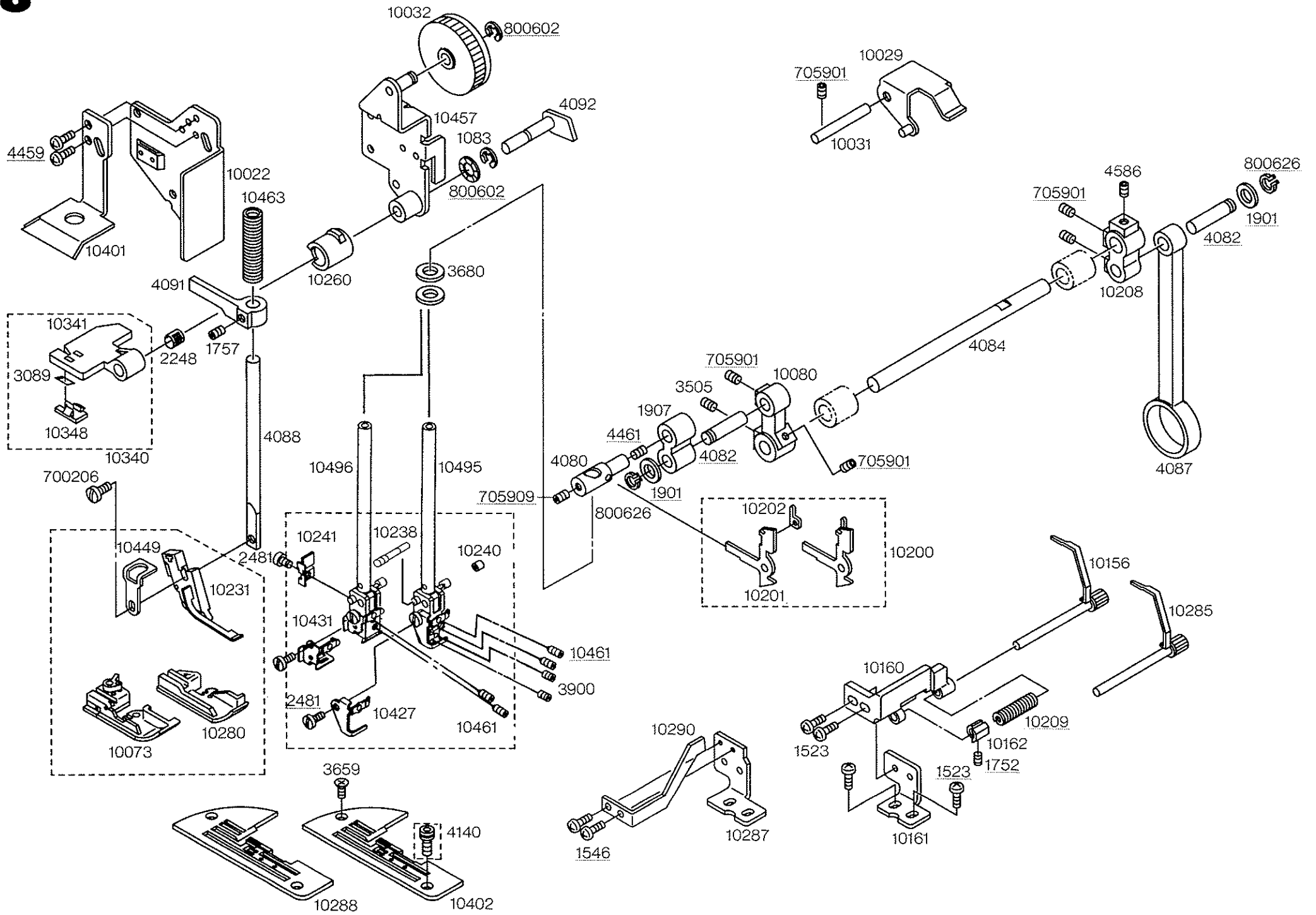
PART NO.	TAVARO NO.	NAME OF PART
----------	------------	--------------



PART NO.	TAVARO NO.	NAME OF PART
1913	396003-67	Upper needle bar bearing
1914	396003-68	Lower needle bar bearing
<u>4085</u>	396009-69	Bearing
<u>4090</u>	396009-73	Presser bar bearing
<u>4110</u>	396009-90	Looper axle bearing
10001	396014-21	Casing
10218	396014-22	Bearing
10219	396014-23	Bearing 904
<u>10220</u>	396014-24	Bearing 905
<u>705901</u>	395421-00	Grub screw M4x5

PART NO.	TAVARO NO.	NAME OF PART
----------	------------	--------------

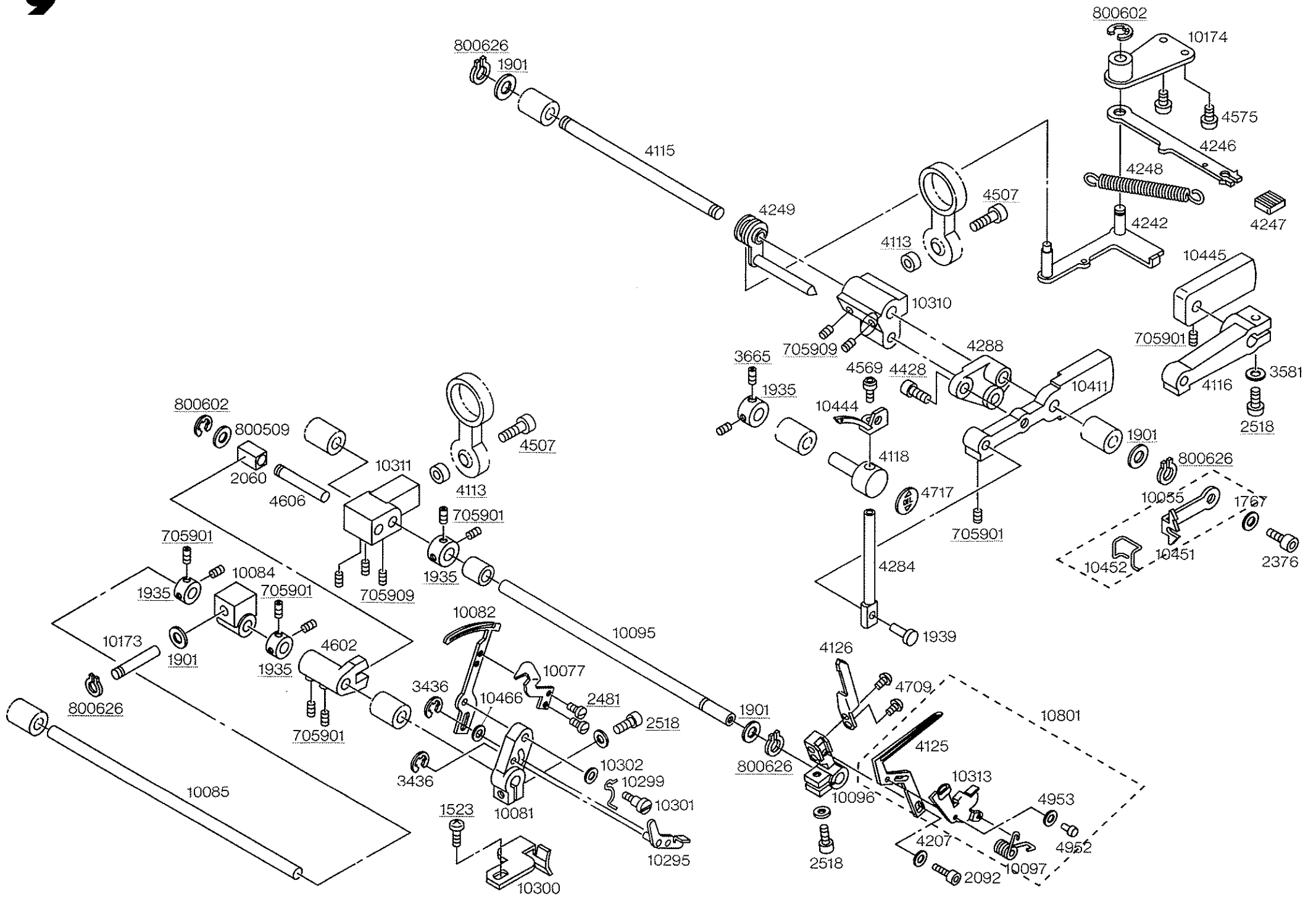
PART NO.	TAVARO NO.	NAME OF PART
----------	------------	--------------



PART NO.	TAVARO NO.	NAME OF PART
1083	395047-24	Friction washer 6x14x0.15
<u>1523</u>	395052-18	Screw M4x8
<u>1546</u>	395052-37	Screw M4x6
<u>1752</u>	395053-58	Grub screw M3x3
<u>1757</u>	395053-63	Grub screw M4x4
<u>1901</u>	396003-55	Washer STW-FT 7x1
1907	396003-61	Needle bar link
<u>2248</u>	395054-50	Knob spring - 101-103-104
<u>2481</u>	396002-15	Stitch tongue set screw-type 2
3089	396006-93	Thread cutter
3505	396014-51	Grub screw M5x8
3659	396006-76	Needle plate position screw
3680	396008-11	Felt washer 7x13x2
<u>3900</u>	396009-23	Dry lock allen screw M3x3
4080	396009-64	Needle bar stud
<u>4082</u>	396009-66	Needle bar link pin
4084	396009-68	Upper axle
4087	396009-71	Crank rod
4088	396009-72	Presser bar
4091	396009-74	Presser bar guide
4092	396009-75	Presser bar lift crank
4140	396010-12	Needle plate screw
<u>4459</u>	396014-52	Screw M3x3
<u>4461</u>	396011-52	Grub screw M4x6
4586	396011-88	Allen screw M5x8 flat tip
10022	396014-53	Reflex partition plate
10029	396014-54	Pressure control lever, assem.
10031	396014-55	Pressure control axle
10032	396014-56	Pressure control dial
10073	396001-73	Presser foot, 905
10080	396014-57	Crank (L)
10156	396014-58	Instant rolled/narrow hem device, 905
10160	396014-59	Inst. rolled/hem device holder
10161	396014-60	Inst. rolled/narrow hem bracket, 905
10162	396014-61	Inst. rolled/narrow hem sleeve
10200	396014-62	Needle thread take-up lever, assem.
10201	396014-63	Needle thread take-up lever
10202	396014-64	Needle thread take-up guide
10208	396014-65	Needle bar crank, right
<u>10209</u>	396014-66	Spring

PART NO.	TAVARO NO.	NAME OF PART
10231	396014-67	Presser foot shank
10238	396014-68	Needle clamp tilt release pin
10240	396014-69	Needle clamp red cap
10241	396014-70	Needle clamp tilt release plate
10260	396014-71	Needle bar press, foot safety cam sleeve
10280	396001-76	Pressure foot, 904
10285	396014-83	Instant rolled/narrow hem device, 904
10287	396014-84	Instant rolled/narrow hem bracket, 904
10288	396001-77	Needle plate, 904
10290	396014-85	Front needle guard, 904
10340	396014-76	Pressure foot lever, assem.
10341	396014-77	Pressure foot lever
10348	396014-78	Pressure foot lever cap
10401	396014-75	Lamp holder bracket
10402	396001-78	Needle plate, 905
10427	396014-80	Needle clamp thread guide, 905
10431	396014-79	Needle clamp thread guide, 904
10449	396014-82	Needle bar stopper
10457	396014-04	Pressure adjustment base holder
<u>10461</u>	396014-81	Needle clamp allen screw
10463	396014-74	Pressure bar spring
10495	396014-72	Needle bar assem., 905
10496	396014-73	Needle bar assem., 904
700206	395402-00	Screw SM 7x8 Cr.
<u>705901</u>	395421-00	Grub screw M4x5
<u>705909</u>	395047-98	Grub screw M5x5
<u>800602</u>	395465-00	Snap ring #4
<u>800626</u>	395128-24	Clip ring #7

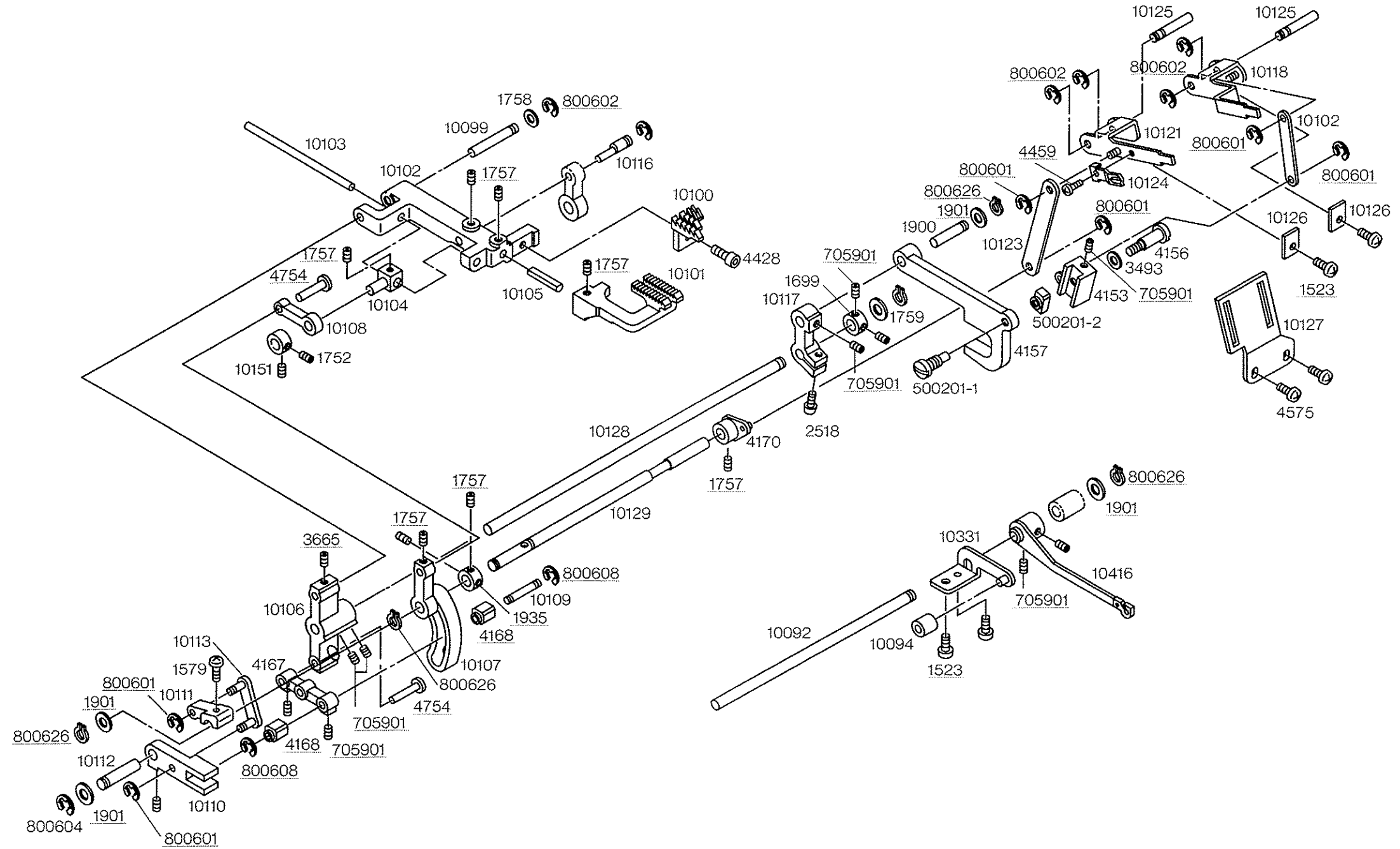
PART NO.	TAVARO NO.	NAME OF PART
----------	------------	--------------



PART NO.	TAVARO NO.	NAME OF PART
<u>1523</u>	395052-18	Screw M4x8
1767	395053-70	Conical washer 8x4x0.4
<u>1901</u>	396003-55	Washer STW-FT 7x1
<u>1935</u>	396003-80	Collar $\phi 7$
1939	396003-82	Upper looper shaft pin
2060	396005-39	Chain looper rocker cube
2092	396004-54	Allen screw M3x8
2376	396004-74	Allen screw M4x6
<u>2481</u>	396002-15	Stitch tongue set screw-type 2
<u>2518</u>	396004-91	Allen screw M4x12
3436	396016-01	E Ring $\phi 2$
3581	396007-97	Washer 4x7x0.8
<u>3665</u>	396008-08	Grub screw M4x3
<u>4113</u>	396009-92	Plastic collar 5x3
4115	396009-93	Upper looper axle
4116	396009-94	Upper looper arm (4)
4118	396009-96	Upper looper shaft guide
4125	396010-00	Lower looper
4126	396010-01	Overlock needle guard
4207	396008-70	Conical washer 3x7
4242	396010-57	Looper release crank
4246	396010-58	Upper looper release lever
4247	396010-59	Lever knob
4248	396010-60	Release lever sprig
4249	396010-61	Axle rocker joint pin
4284	396010-81	Upper looper shaft
4288	396016-02	Upper looper arm (2) 905DCX
<u>4428</u>	396011-42	Allen screw M4x10 P
<u>4507</u>	396011-58	Allen screw M5x18 P
4569	396011-81	Allen screw M4x8 Pan
<u>4575</u>	396011-84	Tapping screw M4x8 S
4602	396012-00	Chain looper rocker
4606	396012-04	Slider pin
4709	396012-78	Allen screw M3x6
4717	396012-42	Oil mark round
4952	396012-55	Revet
4953	396012-58	Washer 2.7x6.5x0.5
10055	396016-03	Upper looper take up lever
10077	396016-04	Chain looper guard
10081	396016-05	Chain looper crank

PART NO.	TAVARO NO.	NAME OF PART
10082	396016-06	Chain looper
10084	396016-30	CS Slider
10085	396016-07	Chain looper axle
10095	396016-08	Lower looper axle
10096	396016-09	Lower looper support
10097	396016-10	Lower looper guide spring
10173	396016-11	Slider pin
10174	396016-12	Upper looper release bracket
10295	396016-13	CS kick lever
10299	396016-14	CS spring
10300	396016-15	CS fixed plate
10301	396016-16	CS screw
10302	396016-17	Washer
10310	396016-18	Upper looper oscilating crank
10311	396016-19	Lower looper oscilating crank
10313	396016-20	Lower looper pivoting thread guide
10411	396016-21	Upper looper arm, 905
10444	396016-22	Upper looper
10445	396016-23	Upper looper balance weight
10451	396016-28	Upper looper take up lever, assem.
10452	396016-26	Upper looper take up lever spring
10466	396016-25	STW 5.4x3.1x0.13
10801	396016-29	Lower looper assem.
	<u>705901</u>	Grub screw M4x5
	<u>705909</u>	Grub screw M5x5
800509	395462-00	Polyslider thru washer 6x0.5
<u>800602</u>	395465-00	Snap ring #4
<u>800626</u>	395128-24	Clip ring #7

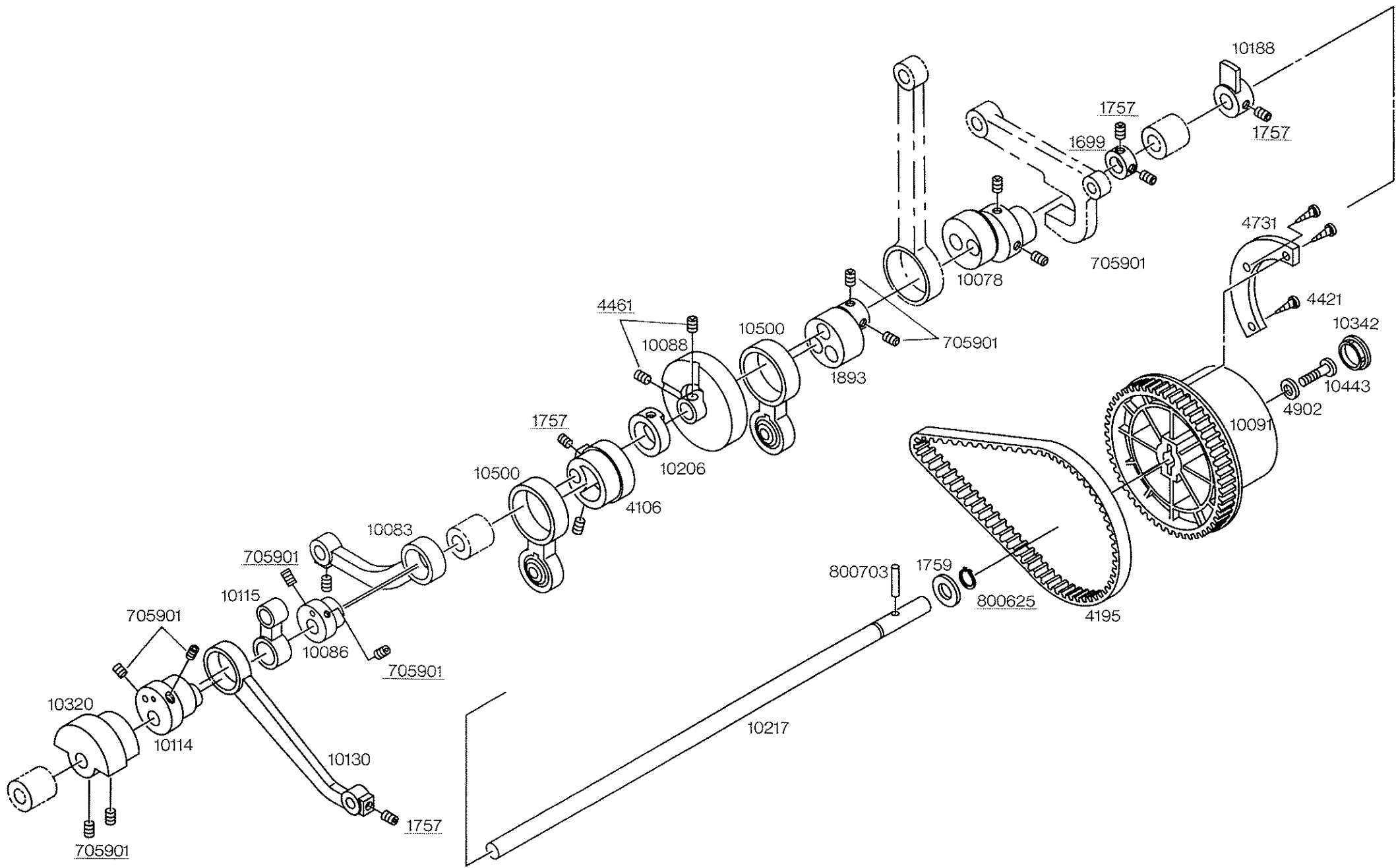
PART NO.	TAVARO NO.	NAME OF PART
----------	------------	--------------



PART NO.	TAVARO NO.	NAME OF PART
<u>1523</u>	395052-18	Screw M4x8
<u>1579</u>	395052-57	Screw M4x10
<u>1699</u>	395053-23	Lower shaft collar
<u>1752</u>	395053-58	Grub screw M3x3
<u>1757</u>	395053-63	Grub screw M4x4
1758	395053-64	Washer STW-FT 5x0.5
1759	395053-65	Washer STW-FM 8x1
1900	396003-54	Needle bar rod pin
<u>1901</u>	396003-55	Washer STW-FT 7x1
<u>1935</u>	396003-80	Collar ϕ 7
<u>2518</u>	396004-91	Allen screw M4x12
3493	396007-79	Friction washer ϕ 7
<u>3665</u>	396008-08	Grub screw M4x3
4153	396010-19	Feed regulator
4156	396010-20	Feed regulator pin
4157	396010-21	Feed forked rod
4167	396010-29	DF regulator rod
<u>4168</u>	396010-30	DF regulator slide block
4170	396010-32	DF axle arm
4428	396011-42	Allen screw M4x10P
<u>4459</u>	396014-52	Screw M3x3
<u>4575</u>	396011-84	Tapping screw M4x8S
<u>4754</u>	396012-92	Link pin
10092	396015-70	Chain stitch take-up lever axle
10094	396015-71	Cam roller
10099	396015-72	Feed bar conn. pin back
10100	396015-73	Feed dog, back
10101	396015-74	Feed dog, front
10102	396015-75	Feed bar
10103	396015-76	Feed bar axle
10104	396015-77	Feed bar rod
10105	396015-78	Guide pin
10106	396015-79	Feed rock lever, left
10107	396015-99	Feed rock lever, back
10108	396016-00	Feed rock corn, rod
10109	396015-80	Slide pin
10110	396015-81	D.F. guide lever
10111	396015-82	D.F. axle arm
10112	396015-83	D.F. guide pin
10113	396015-84	D.F. conn. rod, left

PART NO.	TAVARO NO.	NAME OF PART
10116	396015-85	Feed dog conn. pin
10117	396015-86	Feed dog lever back
10118	396015-87	Stitch length lever
10120	396015-88	S.L. lever conn. rod
10121	396015-89	D.F. lever
10123	396015-90	D.F. conn. rod, right
10124	396015-91	Spring
10125	396015-92	S.L. lever pin
10126	396015-93	S.L. plate
10127	396015-94	Lever stopper plate
10128	396015-95	Feed rock axle
10129	396015-96	D.F. axle
10151	396014-41	Collar #6
10331	396015-97	CS take-up lever support
10416	396015-98	CS take-up lever
500201-1	395054-29	Feed S.B. hinge screw
500201-2	395054-30	Feed slide block
<u>705901</u>	395421-00	Grub screw M4x5
<u>800601</u>	395464-00	Snap ring #3
<u>800602</u>	395465-00	Snap ring #4
800604	395467-00	Snap ring #6
<u>800608</u>	395401-02	Snap ring #2.5
<u>800626</u>	395128-24	Clip ring #7

PART NO.	TAVARO NO.	NAME OF PART
----------	------------	--------------



PART NO.	TAVARO NO.	NAME OF PART
----------	------------	--------------

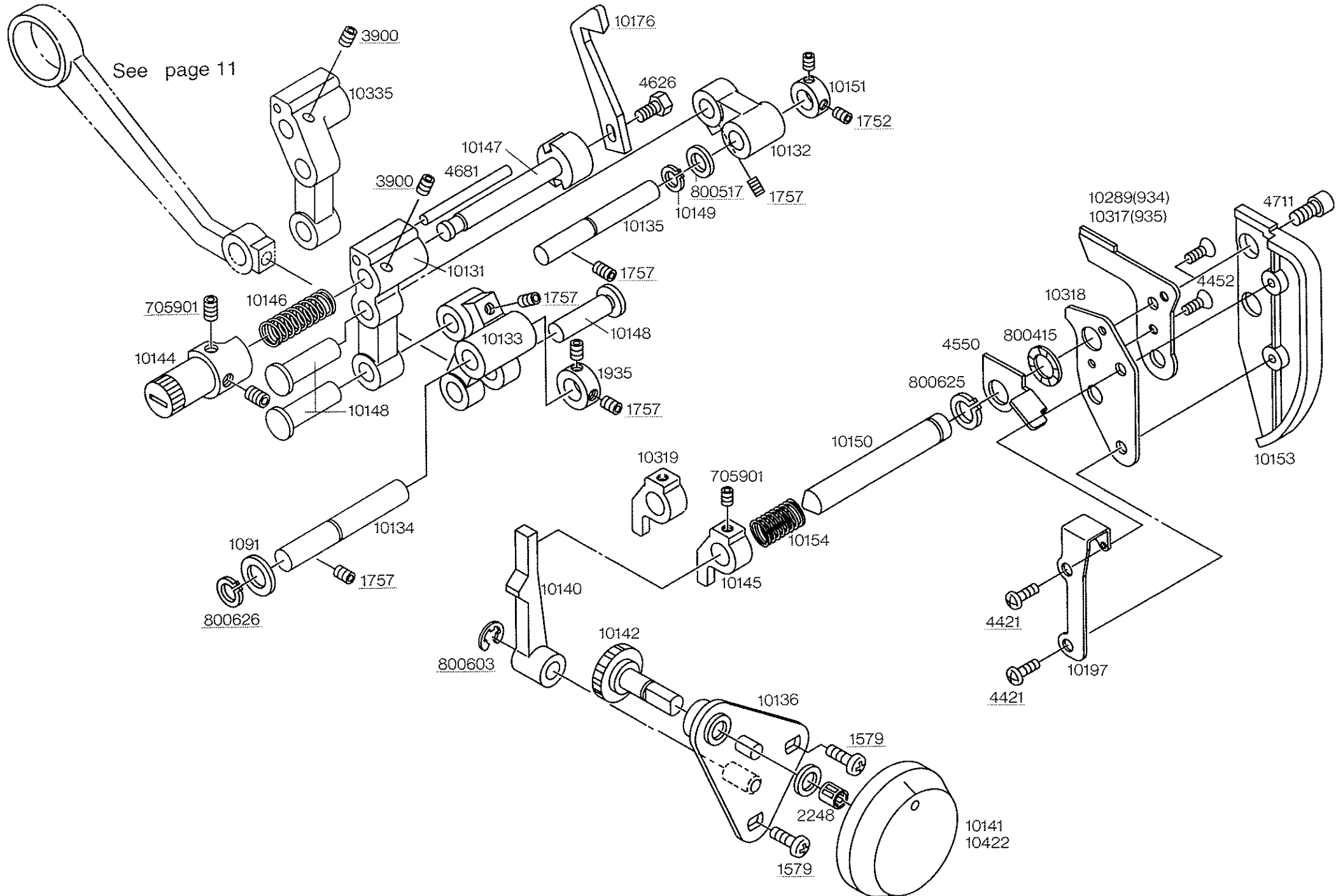
1699	395053-23	Lower shaft collar
1757	395053-63	Grub screw M4x4
1759	395053-65	Washer STW-FM 8x1
1893	396003-47	Looper rod eccentric
4106	396009-86	Crank cam
4195	396010-46	Belt XL136
4421	396011-39	Tapping screw M3x8.5
4461	396011-52	Grub screw M4x6
4731	396012-30	Flywheel weight, type 2
4902	396014-05	Washer 4x12x1
10078	396014-06	Crank cam
10083	396014-07	Chain looper rod
10086	396014-08	Chain stitch eccentric
10088	396014-09	Cam
10091	396014-10	Flywheel
10114	396014-11	Cutter cam
10115	396014-12	Feed eccentric
10130	396014-13	Cutter conn. rod
10188	396014-14	NP sensor rod
10206	396014-15	Cam holder
10217	396014-16	Main shaft
10320	396014-17	Main balance weigh, left
10342	396014-18	Flywheel cap
10443	396014-19	Screw M4x16 +,- pan
10500	396014-20	Looper rod
705901	395421-00	Grub screw M4x5
800625	395128-23	Clip ring #8
800703	395054-44	Roll pin 3x16

PART NO.	TAVARO NO.	NAME OF PART
----------	------------	--------------

PART NO.	TAVARO NO.	NAME OF PART
----------	------------	--------------

PART NO.	TAVARO NO.	NAME OF PART
----------	------------	--------------

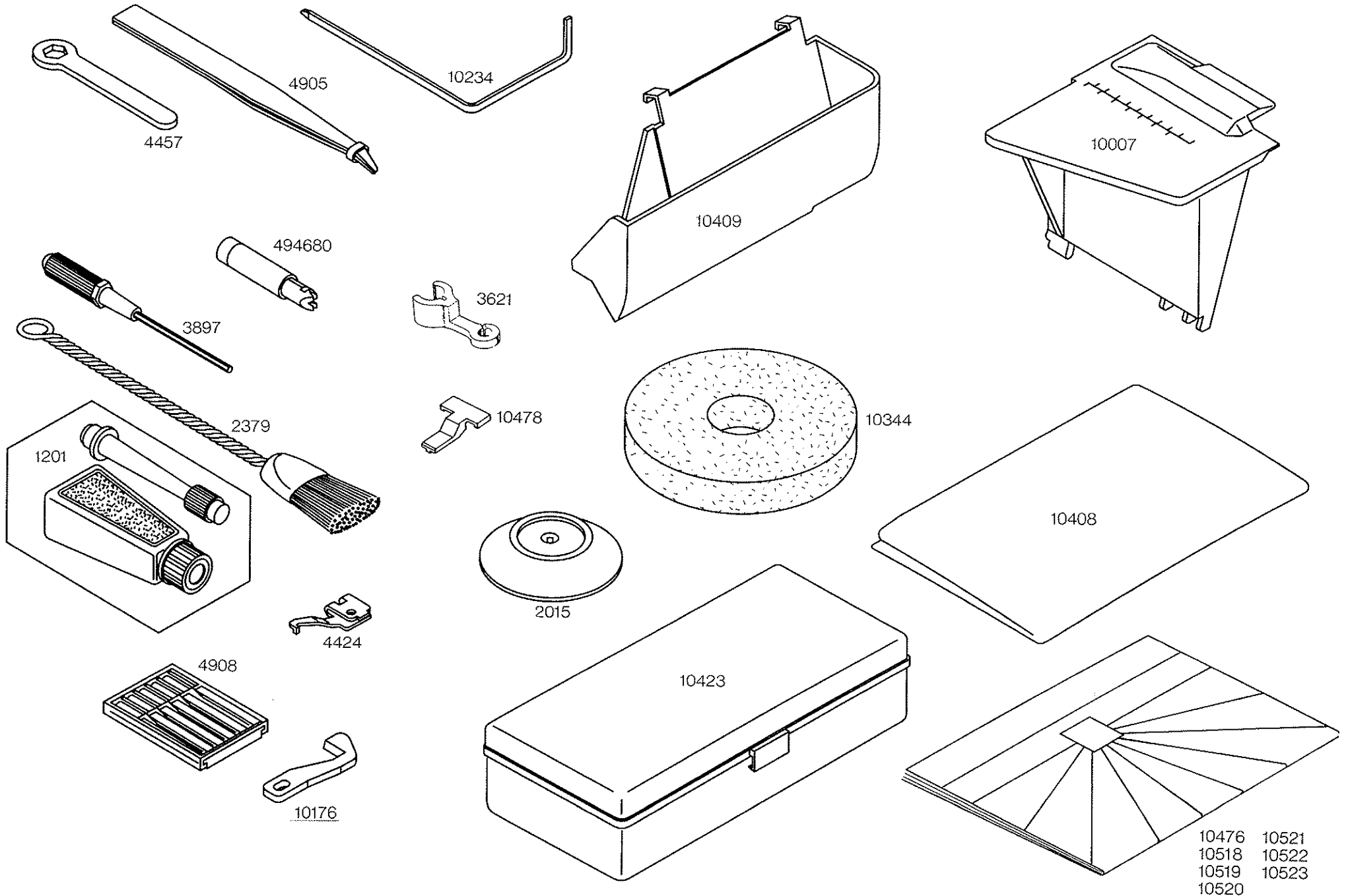
PART NO.	TAVARO NO.	NAME OF PART
----------	------------	--------------

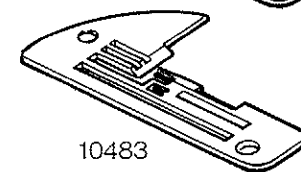
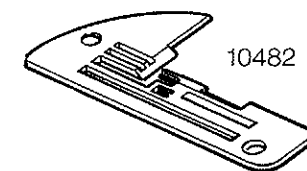
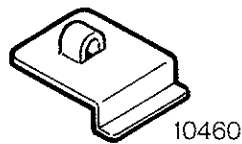
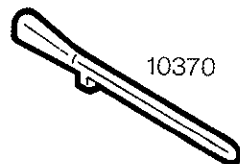
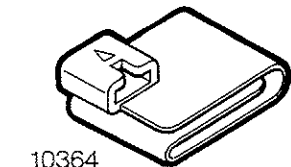
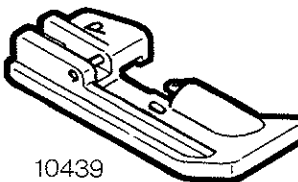
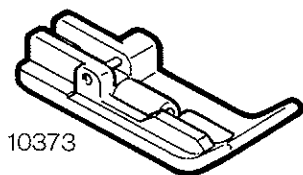
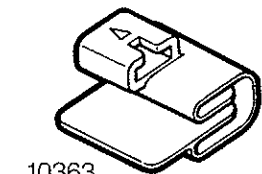
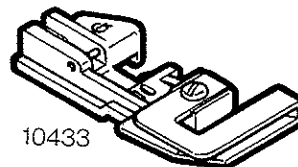
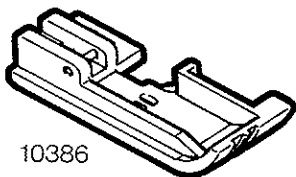
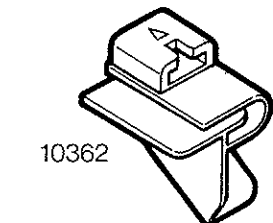
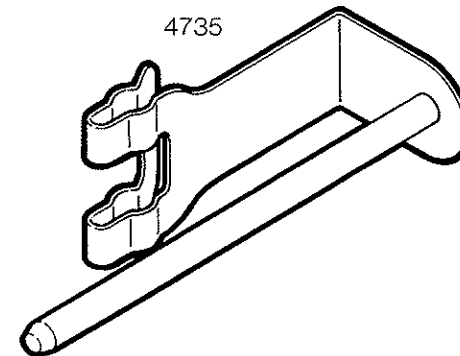
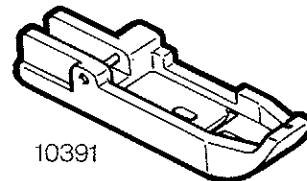
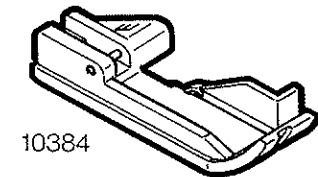
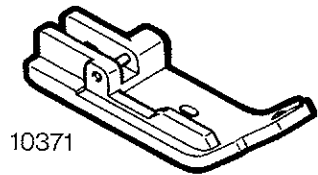
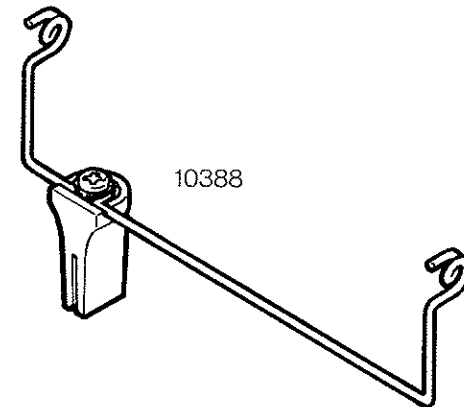
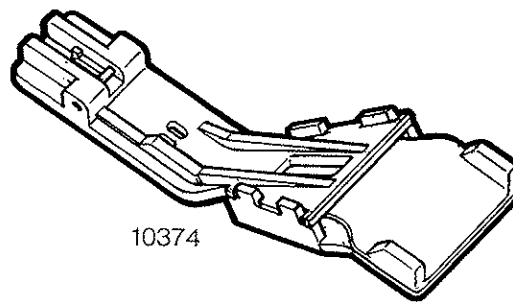
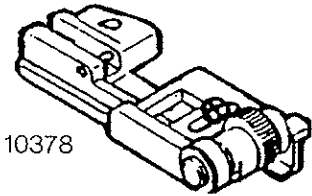
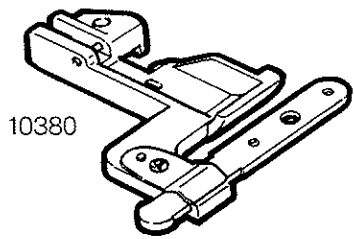


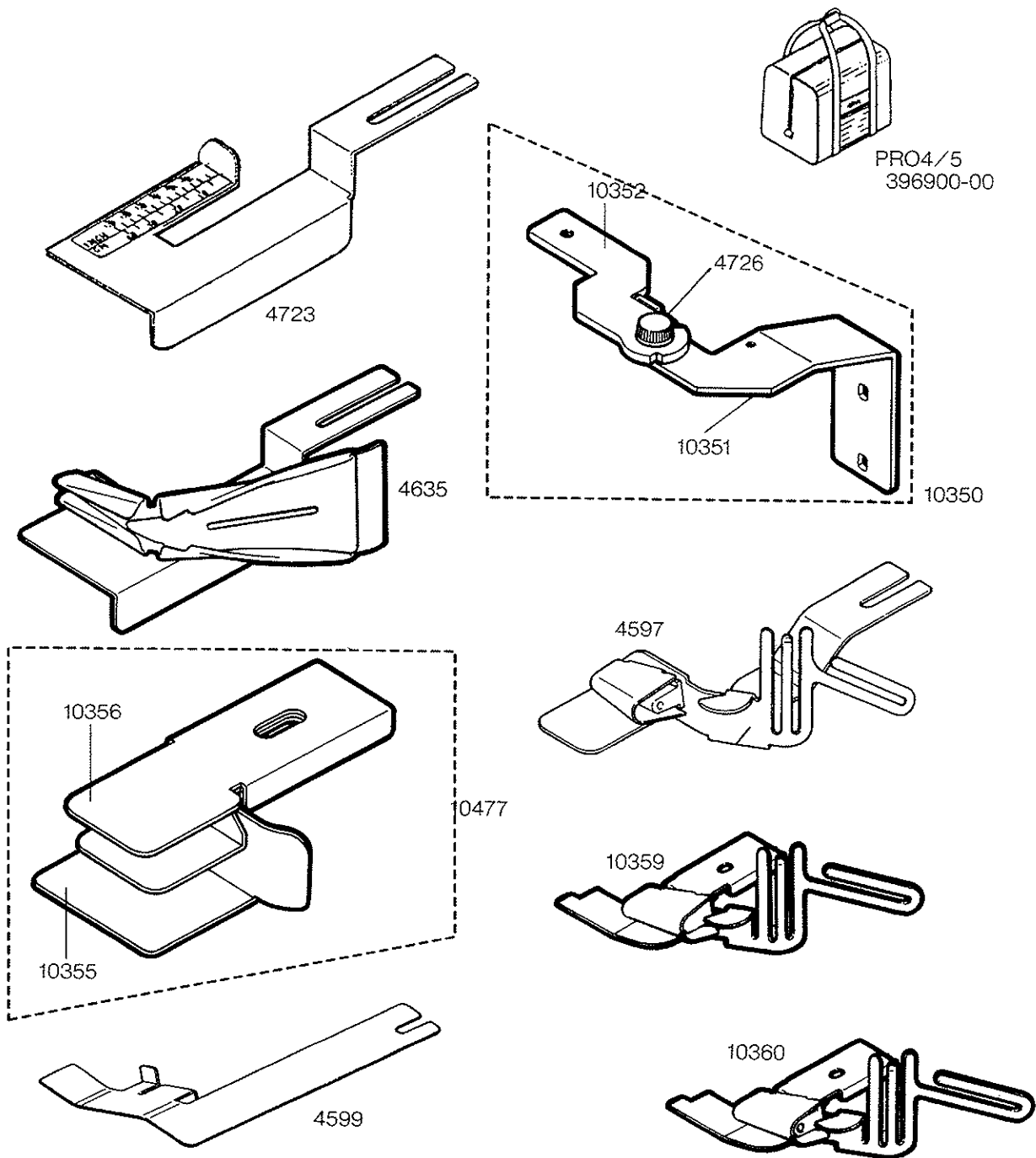
PART NO.	TAVARO NO.	NAME OF PART
1091	395048-35	Screw
1579	395052-57	Screw M4x10
1752	395053-58	Grub screw M3x3
1757	395053-63	Grub screw M4x4
1935	396003-80	Collar ϕ 7
2248	395054-50	Knob spring - 101-103-104
3900	396009-23	Dry lock Allen screw M3x3
4421	396011-39	Tapping screw M3x8.5
4452	396011-51	Flush screw M3x5
4550	396011-72	Needle plate lifter
4626	396012-14	Hexagon bolt M4X10
4681	396012-31	Pin M3x38
4711	396012-47	Allen screw M4x10
10131	396014-25	Moving blade support rod, 905
10132	396014-26	Cutter arm (1)
10133	396014-27	Cutter arm (2)
10134	396014-28	Cutter arm axle (1)
10135	396014-29	Cutter arm axle (2)
10136	396014-30	Cutter width dial stand
10140	396014-31	Cutting width dial lever
10141	396014-32	Cutting width dial, 905
10142	396014-33	Cutting width dial cam
10144	396014-34	Cutter release knob
10145	396014-35	Moving blade shift rod, 905
10146	396014-36	Moving blade pressure spring
10147	396014-37	Moving blade holder
10148	396014-38	Pin
10149	396014-39	C ring #6
10150	396014-40	Fixed blade axle
10151	396014-41	Collor #6
10153	396014-42	Protection cover
10154	396014-43	Fixed blade pressure spring
10176	396001-60	Moving blade
10197	396014-44	Back tuck plate
10289	396014-45	Fixed blade, 904
10317	396014-46	Fixed blade, 905
10318	396014-47	Fixed blade support
10319	396014-48	Moving blade shift rod, 904
10335	396014-49	Moving blade support rod, 904
10422	396014-50	Cutting width dial, 904

PART NO.	TAVARO NO.	NAME OF PART
705901	395421-00	Grub screw M4x5
800415	396012-26	Friction washer 13x8x0.2
800517	395048-46	Washer STW-FT 6X1
800603	395466-00	Snap ring #5
800625	395128-23	Clip ring #8
800626	395128-24	Clip ring #7

PART NO.	TAVARO NO.	NAME OF PART
----------	------------	--------------







PART NO.	TAVARO NO.	NAME OF PART
4597	396001-28	Tape guide
4599	396001-29	Gathering plate
4635	396001-30	Bias binder
4723	396001-42	Cloth guide
4726	396001-39	Coin screw M4x8
4735	396001-43	Ribbon thread spool holder
4736	396001-44	Carrying bag
10350	396001-79	Attachment holder,assem.
10351	396001-80	Attachment holder,base
10352	396001-81	Attachment holder
10355	396001-82	Cloth guide (S)
10356	396001-83	Cloth guide (W)
10359	396001-84	Tape guide
10360	396001-85	Tape guide with cording
10362	396001-86	Wrap seam guide
10363	396001-87	Cover hem guide
10364	396001-88	Blind hem guide
10370	396001-89	Pin tuck guide
10371	396001-90	Cover hem foot
10373	396001-91	Pin tuck foot
10374	396001-92	Belt loop foot
10378	396001-93	Blind stitch/Flatlock foot
10380	396001-94	Multi-purpose foot
10384	396001-95	Piping foot, 904
10386	396001-96	Piping foot, 905
10388	396001-97	Special thread guide (Yarn guide)
10391	396001-73	Chain stitch -coverhem foot
10433	396001-98	Bulky/gathering foot
10439	396001-99	Pearl foot
10460	396013-50	Cording guide
10477	396013-58	Cloth guide(S) + (W)
10482	396015-51	Needle plate for pearl foot, 904
10483	396015-52	Needle plate for pearl foot, 905

PART NO.	PAGES	PART NO.	PAGES	PART NO.	PAGES	PART NO.	PAGES	PART NO.	PAGES
1010	4	3089	8	4167	10	4635	14	10024	1
1083	8	3127	3	4168	10	4657	6	10025	2
1091	12	3300	1	4170	10	4659	6	10029	8
1201	13	3311	3	4187	6	4681	12	10031	8
1241	2,6	3340	3	4191	6	4709	9	10032	8
1279	6	3341	3	4195	11	4711	12	10033	2
1517	1,3	3436	9	4207	9	4717	9	10034	2
1518	4	3451	4	4242	9	4720	2,3	10035	2
1522	2	3493	10	4246	9	4723	14	10036	2
1523	1,4,8,9,10	3494	1,3	4247	9	4726	14	10037	1
1546	2,5,8	3495	3	4248	9	4731	11	10038	1
1548	4	3505	8	4249	9	4735	14	10039	1
1579	1,2,10,12	3581	9	4284	9	4740	3	10040	4
1699	10,11	3621	13	4288	9	4754	10	10041	4
1731	6	3659	8	4374	6	4902	11	10044	4
1752	8,10,12	3663	9	4375	6	4905	13	10045	4
1757	5,8,10,11,12	3665	9,10	4376	6	4908	13	10046	1,4
1758	10	3680	8	4377	6	4952	9	10047	4
1759	10,11	3897	13	4378	6	4953	9	10048	4
1767	9	3900	8,12	4380	6	5048	4	10049	4
1850	2	4057	4	4411	3	5099	1	10051	4
1879	2	4080	8	4421	2,12	5181	6	10052	4
1883	2	4082	8	4424	13	10001	7	10053	4
1885	3	4084	8	4428	9,10	10002	1	10054	1
1893	11	4085	7	4441	4,6,11	10004	2	10055	9
1900	10	4087	8	4449	2	10005	3	10056	1
1901	8,9,10	4088	8	4452	12	10006	3	10057	1
1907	8	4090	7	4457	13	10007	13	10058	1
1913	7	4091	8	4459	4,8,10	10008	2	10059	4
1914	7	4092	8	4461	8,11	10009	3	10060	4
1935	9,10,12	4106	11	4504	2	10011	2	10061	4
1939	9	4110	7	4507	9	10012	2	10062	1
2015	13	4113	9	4550	12	10013	2	10063	1
2060	9	4115	9	4569	9	10014	1	10064	1
2092	9	4116	9	4575	1,3,6,9,10	10015	1	10066	3
2248	8,12	4118	9	4586	8	10016	1	10067	1
2376	9	4125	9	4597	14	10017	1	10068	1
2377	6	4126	9	4602	9	10018	1	10069	1
2379	13	4140	8	4606	9	10019	1	10070	8
2481	8,9	4153	10	4626	12	10021	2	10073	8
2518	9,10	4156	10	4629	6	10022	8	10077	9
3085	8	4157	10	4630	3	10023	1	10078	11
								10080	8
								10081	9
								10082	9
								10083	11
								10084	9
								10085	9
								10086	11
								10088	11
								10091	11
								10092	10
								10094	10
								10095	9
								10096	9
								10097	9
								10099	10
								10100	10
								10101	10
								10102	10
								10103	10
								10104	10
								10105	10
								10106	10
								10107	10
								10108	10
								10109	10
								10110	10
								10111	10
								10112	10
								10113	10
								10114	11
								10115	11
								10116	10
								10117	10
								10118	10
								10120	10
								10121	10
								10123	10
								10124	10
								10125	10
								10126	10
								10127	10
								10128	10

PART NO.	PAGES	PART NO.	PAGES	PART NO.	PAGES	PART NO.	PAGES	PART NO.	PAGES		
10129	10	10186	5	10247	5	10341	8	10420	5	10482	14
10130	11	10187	2	10252	5	10342	11	10422	12	10483	14
10131	12	10188	11	10255	5	10343	2	10423	13	10484	3
10132	12	10190	13	10259	5	10344	13	10426	2	10485	3
10133	12	10192	3	10260	8	10346	1	10427	8	10486	3
10134	12	10193	3	10262	5	10347	5	10431	8	10487	3
10135	12	10195	1	10263	5	10348	8	10432	3	10488	3
10136	12	10196	1	10270	3	10349	6	10433	14	10489	3
10140	12	10197	12	10271	1	10350	14	10434	14	10490	3
10141	12	10199	1	10272	3	10351	14	10435	5	10491	4
10142	12	10200	8	10273	2	10352	14	10436	4	10498	13
10144	12	10201	8	10274	2	10355	14	10439	14	10500	11
10145	12	10202	8	10280	8	10356	14	10441	6	10512	4
10146	12	10203	1	10285	8	10359	14	10442	6	10518	13
10147	12	10204	1	10287	8	10360	14	10443	11	10519	13
10148	12	10205	5	10288	8	10362	14	10444	9	10520	13
10149	12	10206	11	10289	12	10363	14	10445	9	10521	13
10150	12	10207	2	10290	8	10364	14	10447	2	10522	13
10151	10,12	10208	8	10295	9	10370	14	10448	2	10523	13
10153	12	10209	5,8	10299	9	10371	14	10449	8	10583	6
10154	12	10211	6	10300	9	10373	14	10450	2	10801	1
10156	8	10212	6	10301	9	10374	14	10451	9	494680	9
10160	8	10213	6	10302	9	10378	14	10452	9	500201-1	10
10161	8	10217	11	10303	13	10380	14	10453	5	500201-2	10
10162	8	10218	7	10311	9	10384	14	10457	8	700206	8
10163	4	10219	7	10312	1	10386	14	10458	3	705901	5,6,7,8,9,10,11,12
10167	6	10220	7	10313	9	10388	14	10460	14	705909	8,9
10168	6	10221	1	10317	12	10391	14	10461	8	707901	1,5
10169	3	10222	1	10318	12	10400	1	10462	9	707908	1,4,6
10170	6	10223	5	10319	12	10401	8	10463	8	800415	12
10171	3	10224	5	10320	11	10402	8	10464	1	800509	9
10172	2	10225	5	10323	1	10405	3	10466	9	800517	4,12
10173	9	10226	5	10324	1	10406	1	10467	1,3	800601	3,5,10
10174	9	10227	5	10325	3	10407	1	10468	1	800602	4,8,9,10
10176	12,13	10229	5	10326	3	10408	13	10469	1	800603	5,12
10177	1	10231	8	10327	3	10409	13	10470	1	800604	10
10180	1	10234	13	10331	10	10411	9	10471	1	800608	10
10181	1	10238	8	10335	12	10412	2	10472	2	800625	10,11,12
10182	1	10240	8	10337	1	10413	3	10476	13	800626	8,9,10,12
10183	3	10241	8	10338	1	10414	3	10477	14	800701	4
10184	5	10242	5	10339	3	10415	3	10478	13	800703	11
10185	5	10245	5	10340	8	10416	10	10481	1,2		