

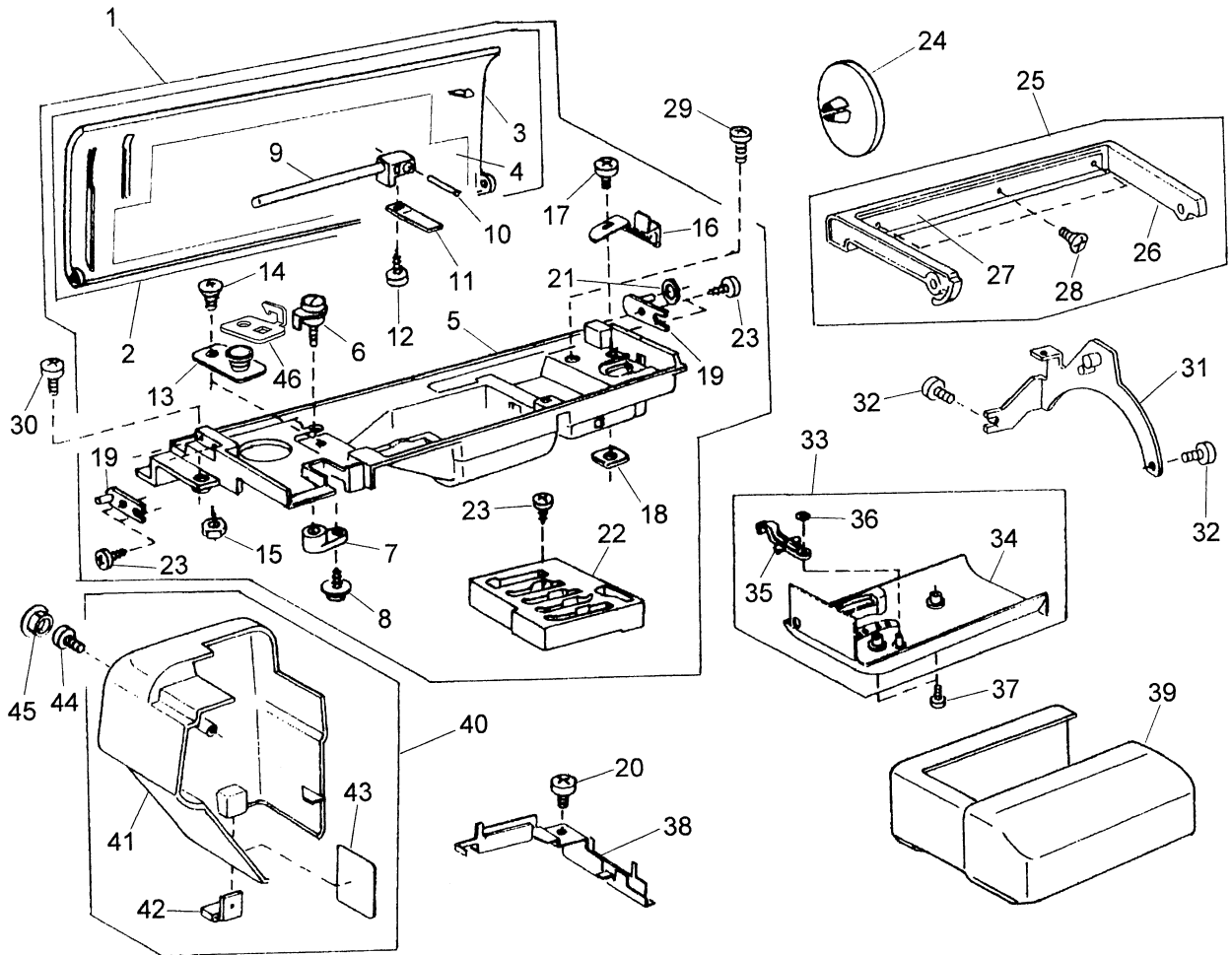
Elna 6005 Heirloom Edition



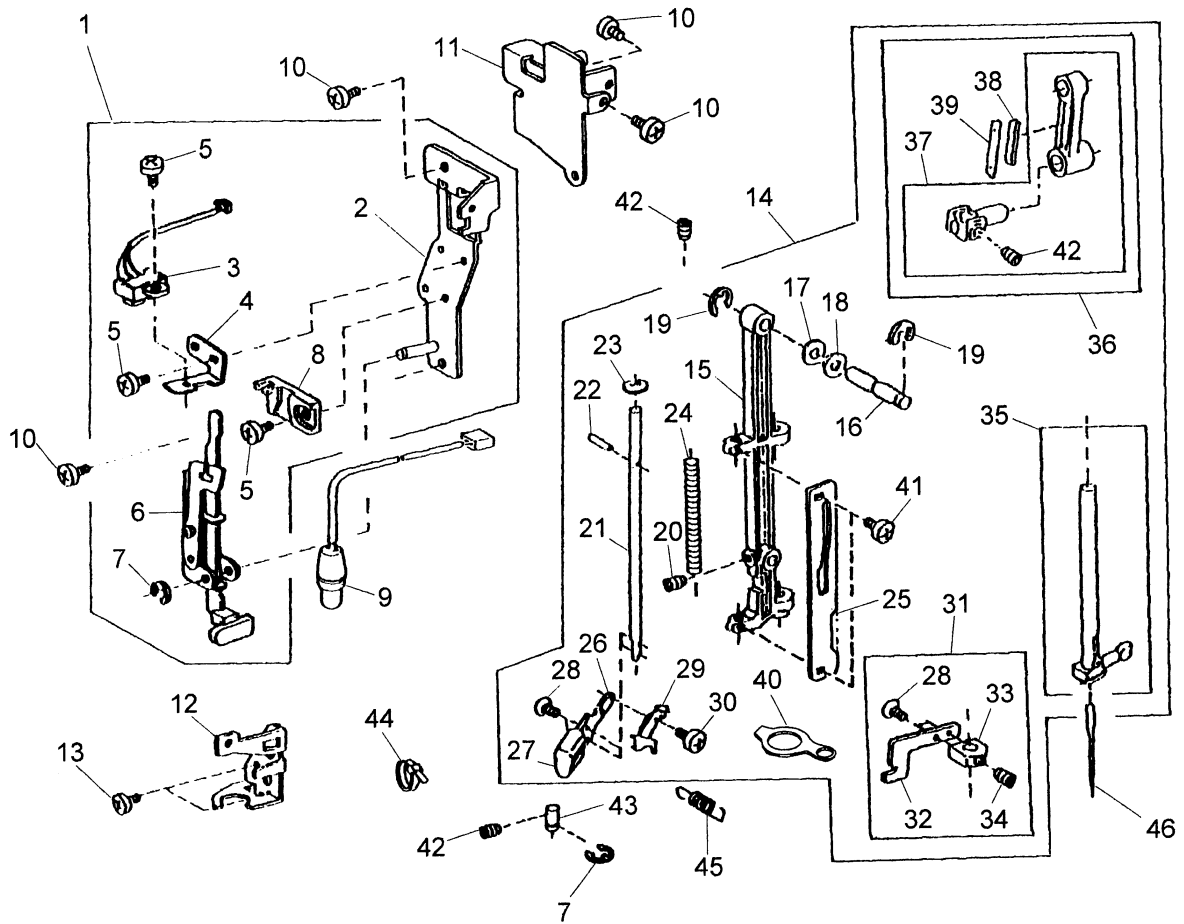
PIÈCES DE RECHANGE ERSATZTEILE SPARE PARTS PIEZAS DE RECAMBIO

I N D E X

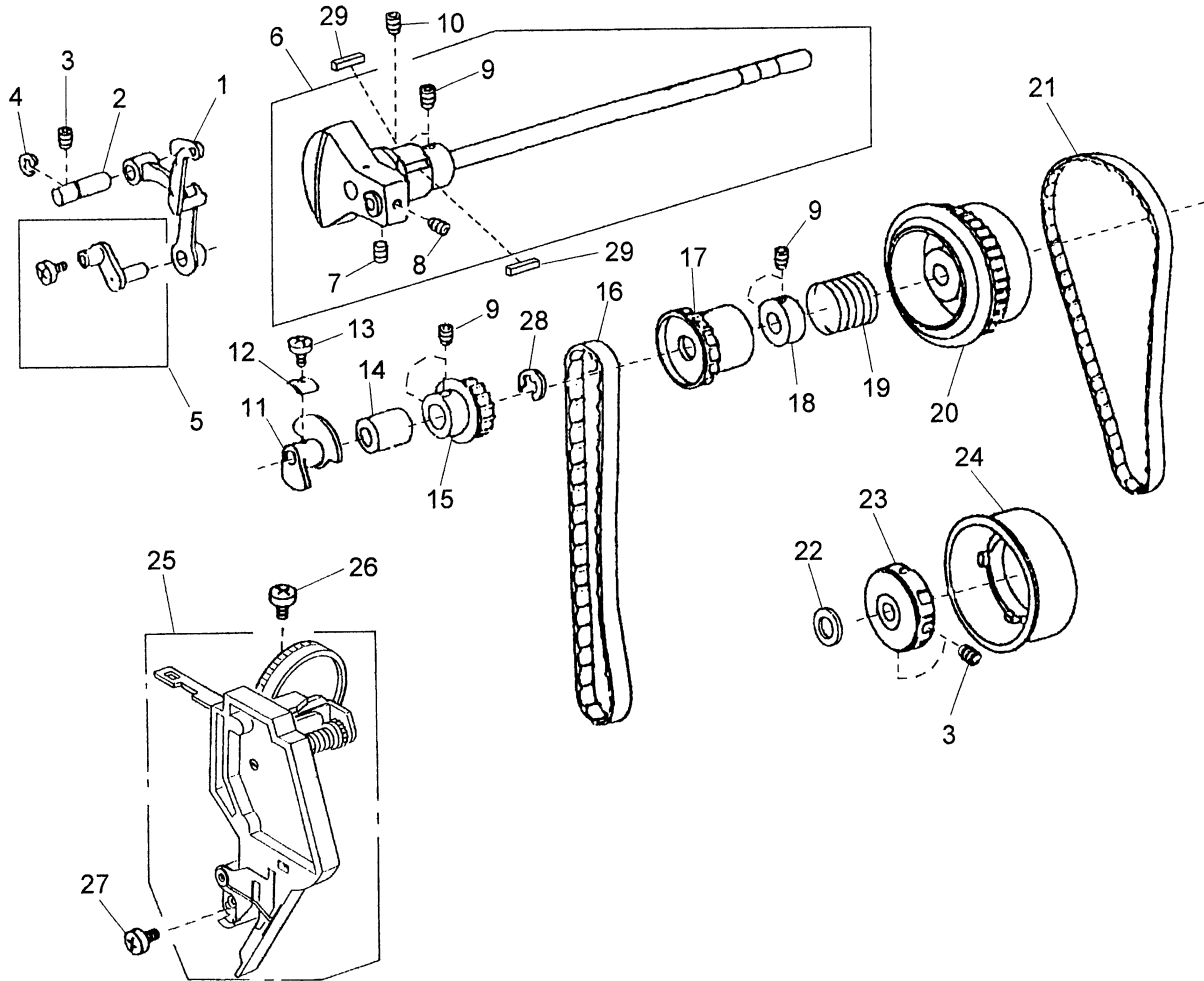
Accessory box, Top cover, Handle, Face plate, Bed cover	1
Bottonhole lever, Needle bar, Lamp socket, Threader.	2
Take-up lever, Upper shaft, Upper tension, Handweel, Timing belt.	3
Front panel, Print board K, Circuit board A, Circuit board F.	4
Stepping motor feed, Lower shaft, Rearcover, Base.	5
Presser bar, Needle plate, Bobbin holder, Zigzag width rod, Presser lever.	6
Feed rock shaft, Feed shaft unit, Hook race unit, Hook base	7
Zigzag stepping motor, Print board C, Transformer, Motor, Socket	8
Accessories, Hard cover, Instruction manual, Power cord, Foot control	9
Parts number index	10-11



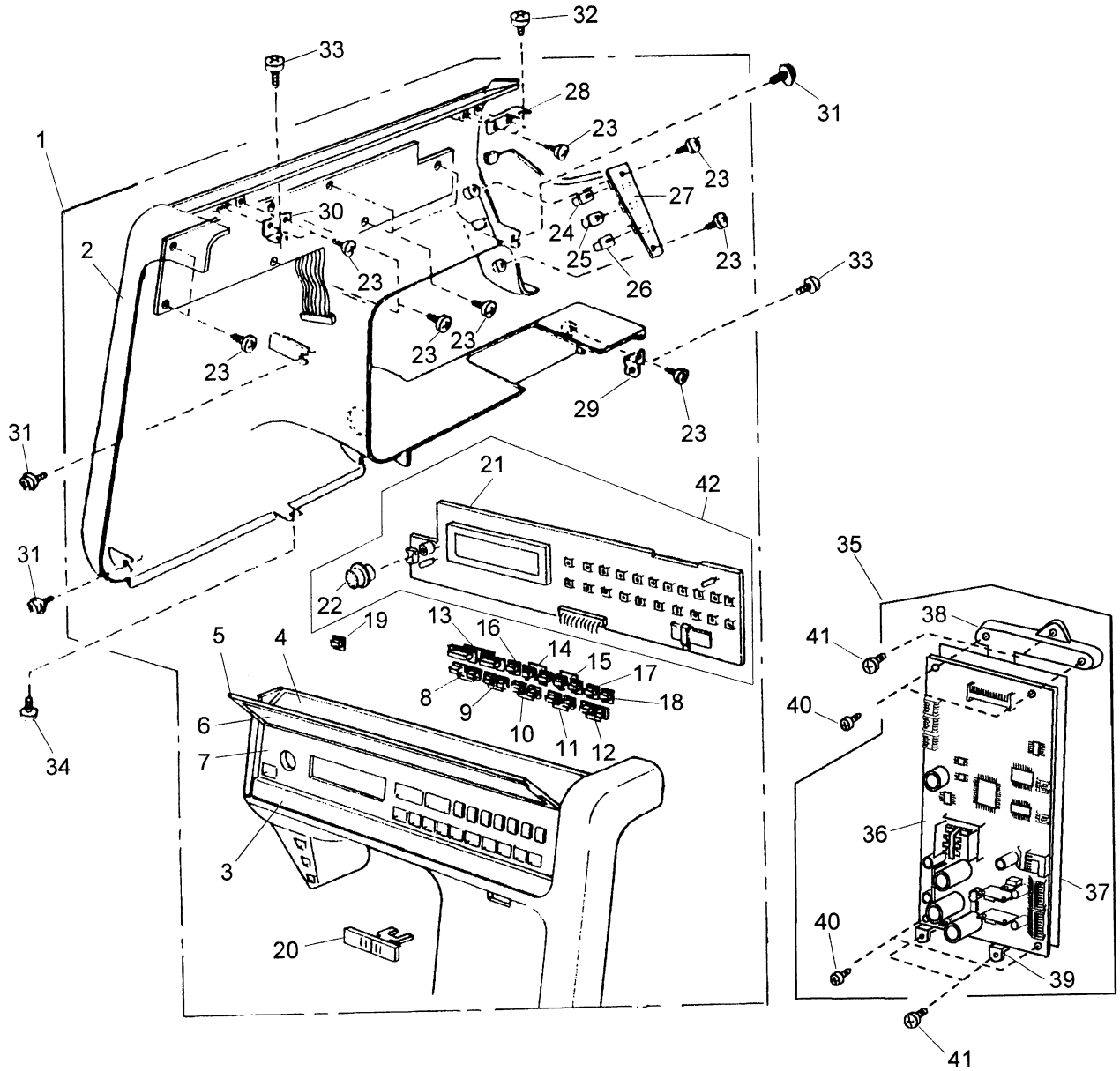
Pos. No.	Elna No.	Designation
1	395 738-17	Top cover unit
2	395 738-18	Top cover unit
3	395 727-02	Top cover
4	395 738-20	Chart board 1
5	395 738-09	Top cover body
6	395 738-38	Bobbin winder thread guide unit
7	395 713-71	Thread guide holder
8	395 717-72	Tapping screw 3X10
9	395 717-10	Spool pin
10	395 713-68	Pin
11	395 713-69	Spring
12	395 713-70	Tapping screw 3x8B
13	395 713-73	Top cover thread guide holder unit
14	395 738-39	Flat screw
15	395 713-75	Nut
16	395 713-76	Bobbin winder stopper
17	395 713-77	Set screw 3x8
18	395 713-78	Nut
19	395 717-21	Top cover hinge
20	395 710-42	Set screw 4x8
21	395 717-22	Washer
22	395 723-28	Foot container
23	395 713-83	Tapping screw 3x8B
24	395 719-39	Spool holder
25	395 715-65	Handle unit
26	395 715-66	Handle
27	395 715-67	Handle plate
28	395 715-68	Flat tapping screw 3x8B
29	395 713-80	Set screw 4x25
30	395 716-07	Set screw 3x6
31	395 727-05	Handle set plate (rear)
32	395 710-42	Set screw 4x8
33	395 725-47	Bed cover unit
34	395 725-48	Bed cover
35	395 713-43	Droplever
36	395 710-98	Snap ring CS-5
37	395 711-12	Set screw 4x12
38	395 727-06	Cord guide
39	395 738-15	Extension table unit
40	395 738-19	Face cover unit
41	395 738-10	Face cover
42	395 727-10	Thread cutter unit
43	395 710-70	Face cover sticker
44	395 727-11	Set screw 4x16
45	395 710-61	Cap
46	395 738-13	Top cover thread guide



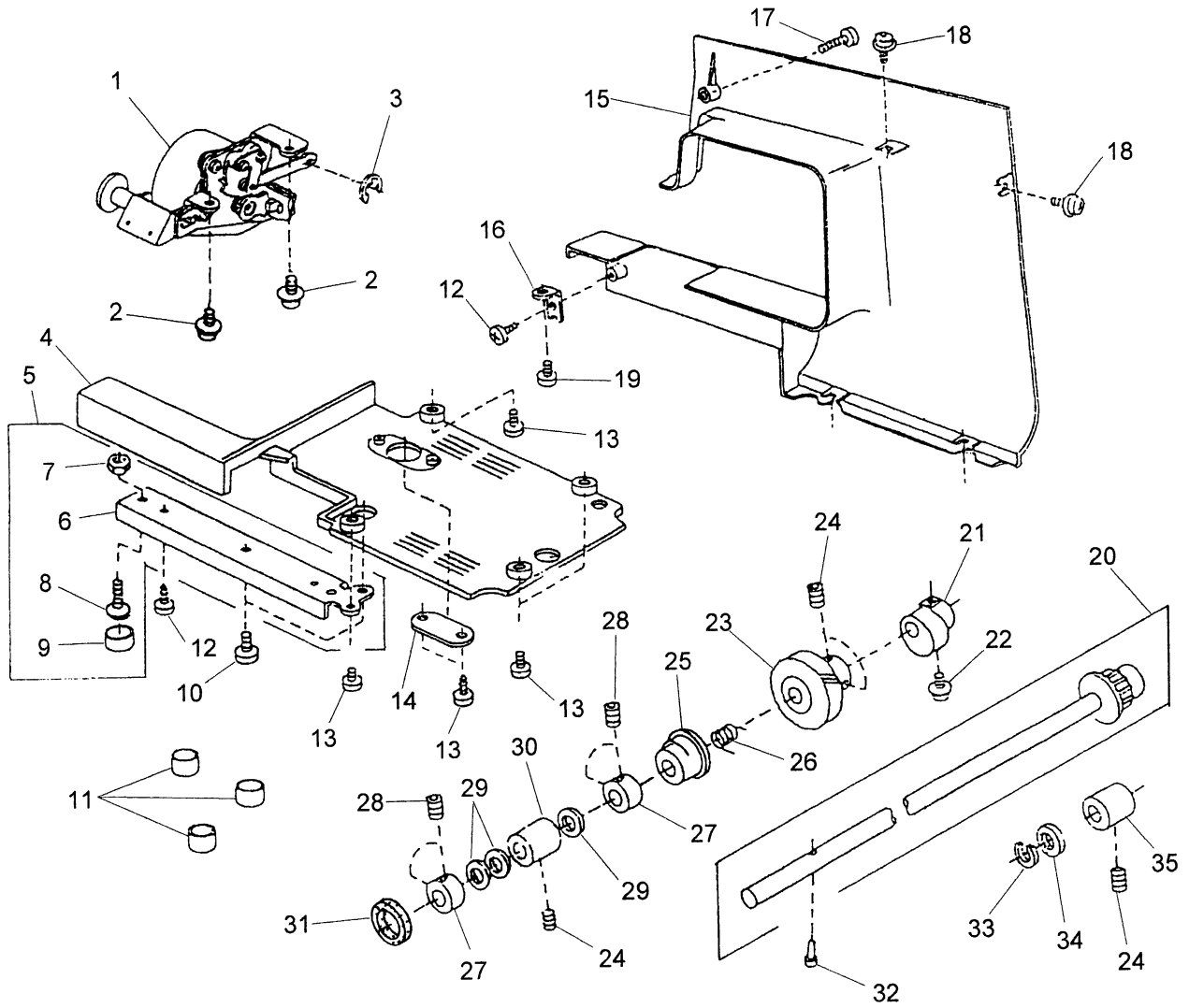
Pos. No.	Elna No.	Designation
1	395 727-12	Front set plate unit
2	395 727-13	Front set plate
3	395 727-14	Photo interrupter unit
4	395 725-60	Sensor set plate
5	395 711-06	Set screw 3x5
6	395 727-15	BH lever unit
7	395 711-03	Snap ring E-3
8	395 727-16	BH lever guide
9	395 723-43	Lamp socket unit
10	395 710-42	Set screw 4x8
11	395 727-17	Handle set plate (front)
12	395 726-64	Lamp set plate
13	395 715-73	Set screw 3.5x5
14	395 727-18	Needle bar supporter unit
15	395 725-67	Needle bar supporter
16	395 727-88	Needle bar supporter pin
17	395 711-22	Spring washer
18	395 711-23	Plain washer 6
19	395 711-24	Snap ring E-4
20	395 718-21	Hexagon socket screw 3x4
21	395 727-19	Threader shaft spring
22	395 718-30	Guide pin
23	395 718-31	Base plate
24	395 718-32	Threader shaft spring
25	395 727-20	Threader guide plate
26	395 727-21	Threaderlever
27	395 718-36	Threader knob
28	395 718-26	Set screw 2x4
29	395 718-37	Threader guide plate
30	395 718-38	Set screw 1.6x2.5
31	395 725-71	Threader set plate unit
32	395 718-24	Threader set plate
33	395 725-72	Threader base plate
34	395 718-21	Hexagon socket screw 3x4
35	395 727-22	Needle bar unit
36	395 725-74	Needle bar conn. stud unit
37	395 725-75	Needle bar conn. stud unit
38	395 714-33	Felt
39	395 714-34	Felt set spring
40	395 727-23	Supporter guide plate
41	395 713-96	Set screw 3x4
42	395 712-14	Hexagon socket screw 4x4
43	395 725-77	Pin
44	395 711-18	Cord binder
45	395 725-78	Supporter spring



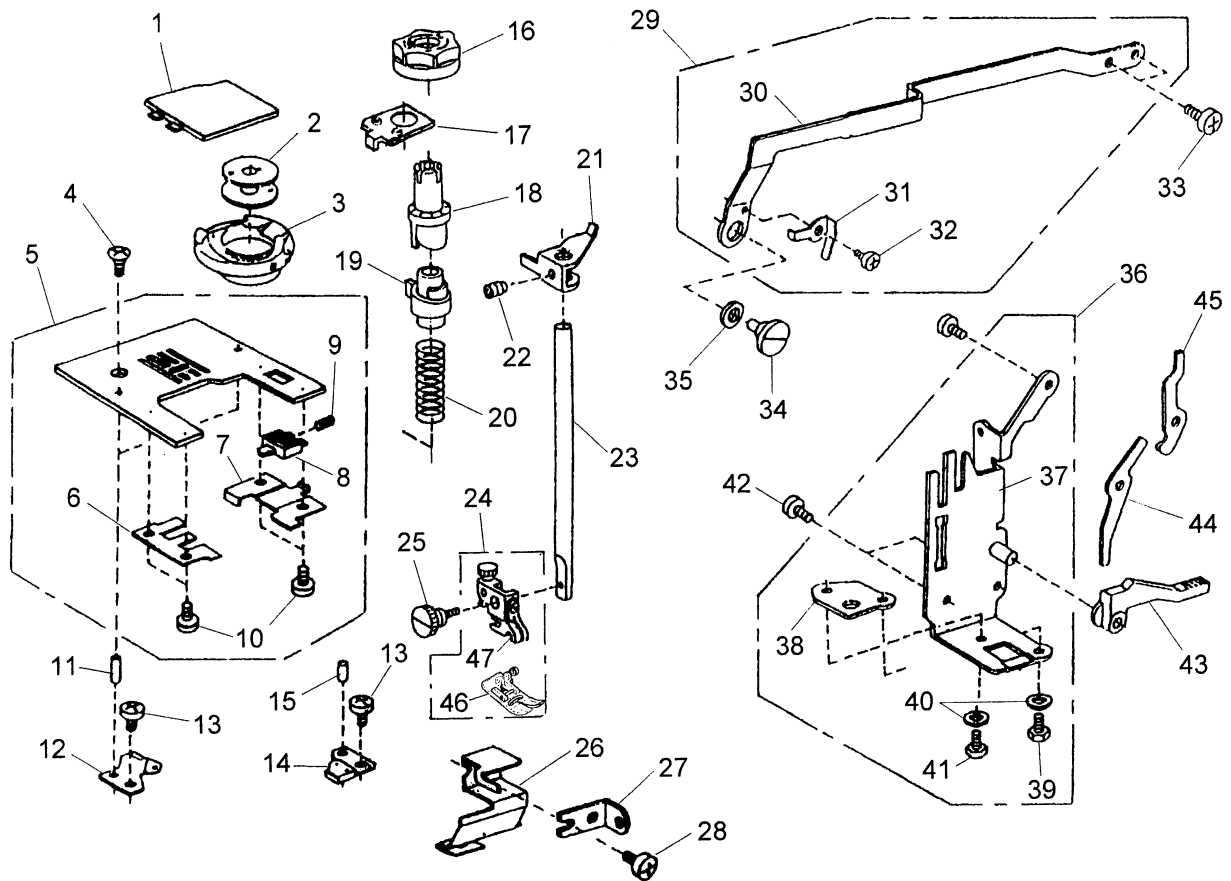
Pos. No.	Elna No.	Designation
1	395 723-68	Take up lever unit
2	395 714-54	Take up lever pin
3	395 712-14	Hexagon socket screw 4X4
4	395 711-34	Snap ring E-6
5	395 723-67	Needle bar crank pin unit
6	395 727-24	Upper shaft unit
7	395 711-46	Set screw
8	395 711-47	Set screw
9	395 711-25	Hexagon socket screw 5X5
10	395 711-25	Hexagon socket screw 5X5
11	395 718-59	Upper shaft shield plate 5
12	395 718-60	Plate washer
13	395 710-42	Set screw 4X8
14	395 714-45	Bushing
15	395 723-69	Adjusting wheel
16	395 714-47	Timing belt
17	395 718-63	Declutch release ring
18	395 718-65	Declutch ring
19	395 718-64	Clutch spring
20	395 718-66	Belt wheel
21	395 725-52	Timing belt
22	395 727-25	Washer FT100
23	395 718-67	Balance wheel base plate
24	395 718-68	Balance wheel
25	395 738-33	Thread tension unit
26	395 710-38	Set screw 4X6
27	395 711-12	Set screw 4X12
28	395 714-48	Snap ring E-8
29	395 738-02	Felt



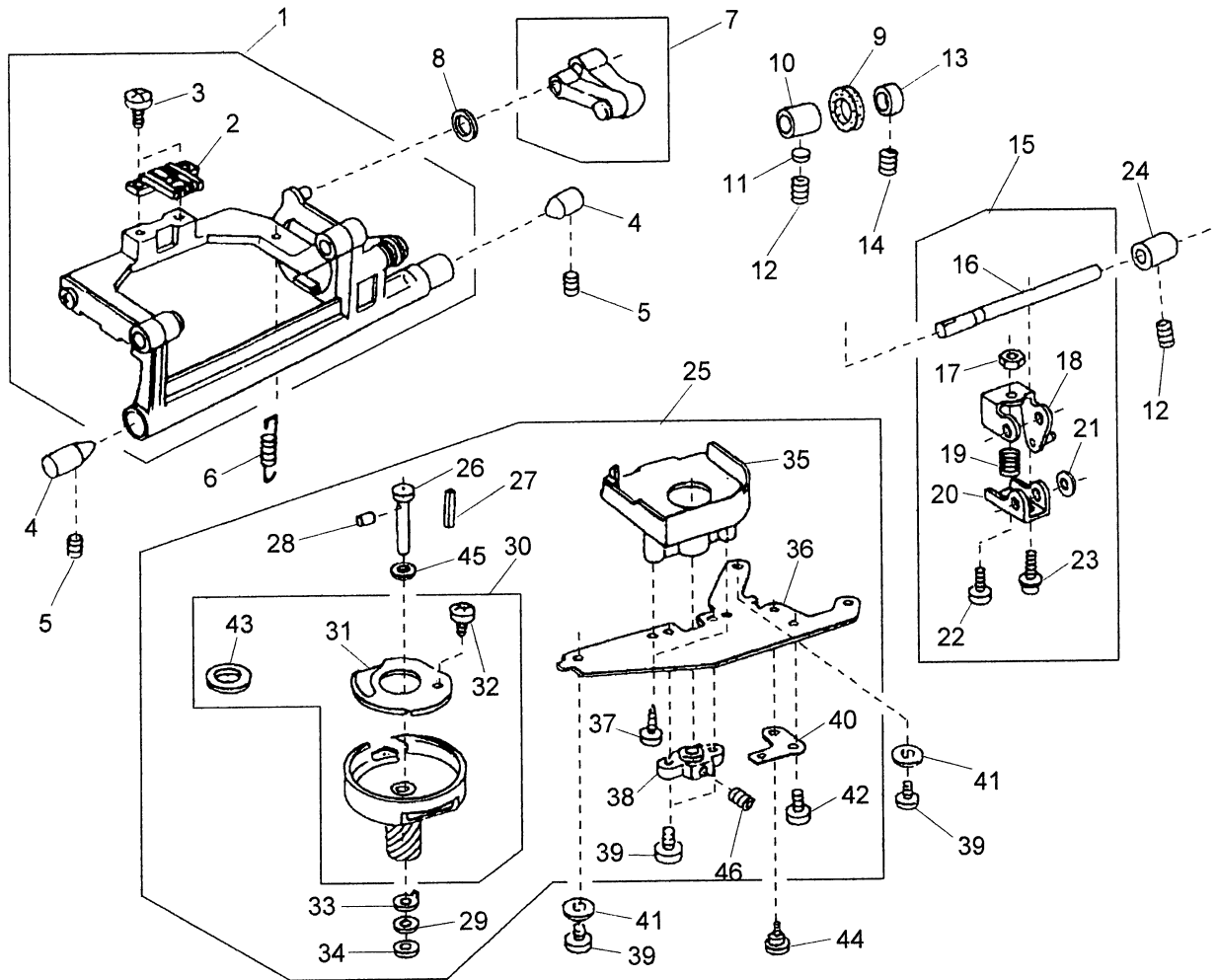
Pos. No.	Elna No.	Designation
1	395 738-34	Front panel unit
2	395 738-11	Front panel
3	395 738-23	Plate
4	395 738-22	Chart board 3
5	395 727-31	Keyboard cover
6	395 738-21	Chart board 2
7	395 738-14	Keyboard panel
8	395 727-34	Button 1
9	395 727-35	Button 1
10	395 727-36	Button 1
11	395 727-37	Button 1
12	395 727-38	Button 1
13	395 738-24	Button 2
14	395 738-25	Button 3
15	395 738-26	Button 3
16	395 738-27	Button 4
17	395 738-28	Button 4
18	395 738-29	Button 4
19	395 738-30	Button 5
20	395 727-42	Speed set lever
21	395 738-41	Print board K unit
22	395 738-08	Screen sharpness adjusting dial
23	395 713-65	Set screw 3x8
24	395 727-44	Button 3
25	395 727-45	Button 3
26	395 727-46	Button 3
27	395 738-16	Print board F unit
28	395 725-17	Front panel set plate
29	395 725-19	Front panel set plate
30	395 725-18	Front panel set plate
31	395 710-41	Set screw 4x6
32	395 711-06	Set screw 3x5
33	395 710-38	Set screw 4x6
34	395 712-61	Set screw 4x10
35	395 738-32	Print board A unit
36	395 738-31	Print board A unit
37	395 738-06	"A" Board isolation paper
38	395 738-07	"A" Board set plate
39	395 727-52	"A" Board set plate
40	395 716-94	Set screw 3x6
41	395 710-42	Set screw 4x8
42	395 738-35	Print board K unit



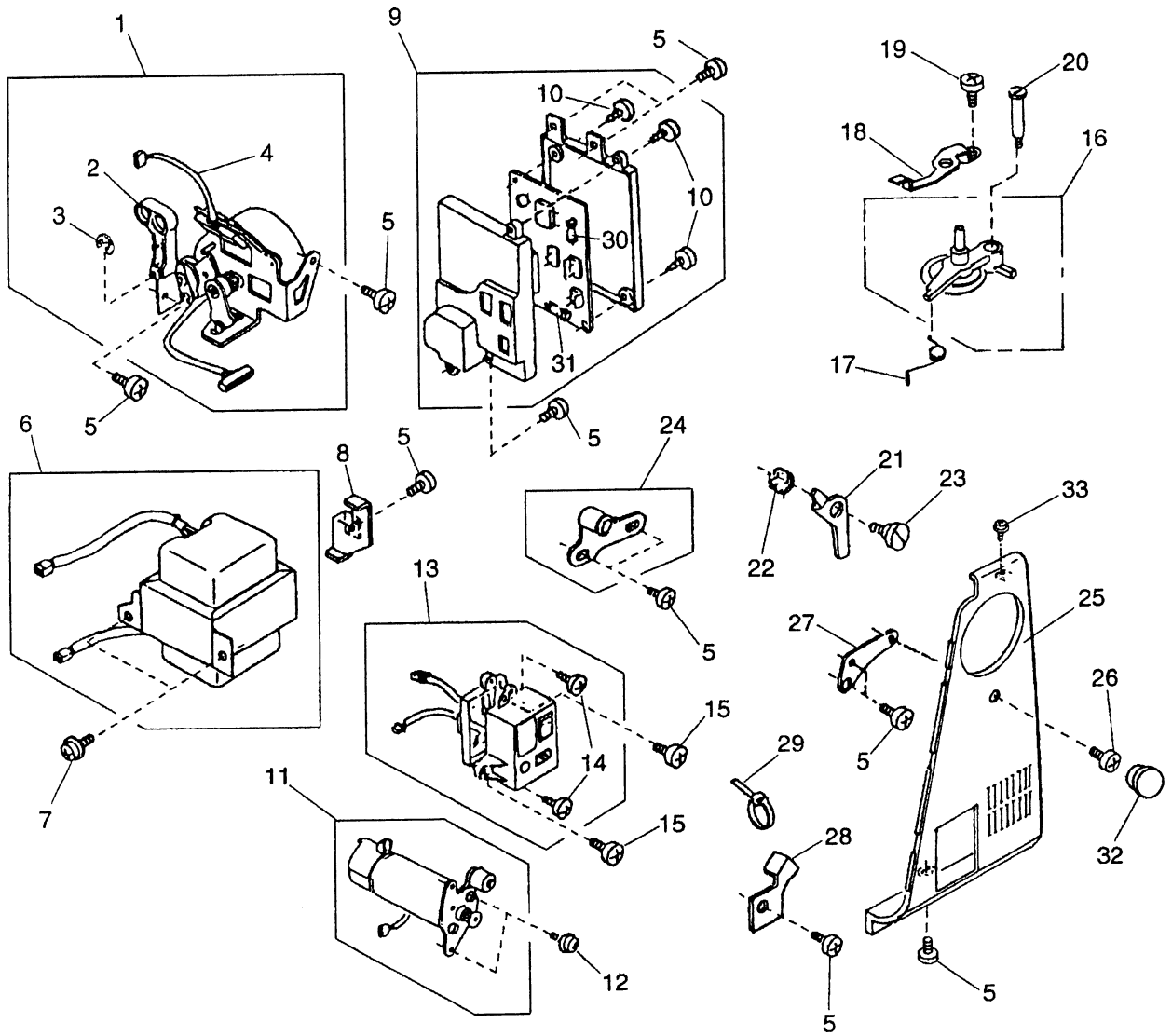
Pos. No.	Elna No.	Designation
1	395 727-53	Stepping motor (feed) unit
2	395 710-41	Set screw TP 4X6
3	395 711-03	Snap ring E-3
4	395 726-28	Base
5	395 727-58	Arm leg unit
6	395 727-54	Arm leg
7	395 726-30	Nut
8	395 726-31	Plain screw 5x18
9	395 710-76	Rubberbase
10	395 713-39	Set screw 6x14
11	395 713-35	Bed rubber base
12	395 713-65	Set screw 3x8B
13	395 712-61	Set screw 4x10
14	395 726-32	Base cap
15	395 727-55	Rearcover
16	395 726-34	Rear cover set plate
17	395 726-35	Set screw 4x20
18	395 710-41	Set screw TP 4x6
19	395 713-53	Set screw 4x6
20	395 727-56	Lower shaft unit
21	395 727-57	Feed cam
22	395 715-16	Set screw TP 3x8
23	395 714-97	Lower shaft toothed wheel
24	395 711-25	Hexagon sokect screw 5x5
25	395 723-64	Feed lifting cam
26	395 715-01	Feed lifting cam spring
27	395 715-00	Ring
28	395 712-14	Hexagon socket screw 4x4
29	395 718-87	Washer
30	395 715-02	Bushing
31	395 711-61	Felt
32	395 714-99	Pin
33	395 718-88	Felt holder 1
34	395 712-42	Felt 1
35	395 715-03	Bushing



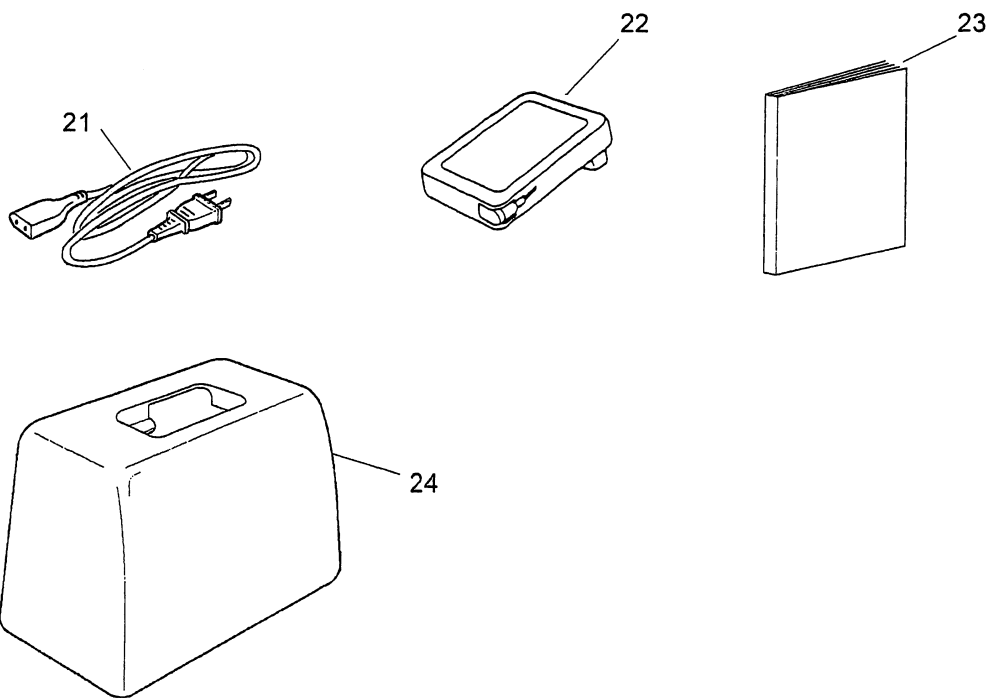
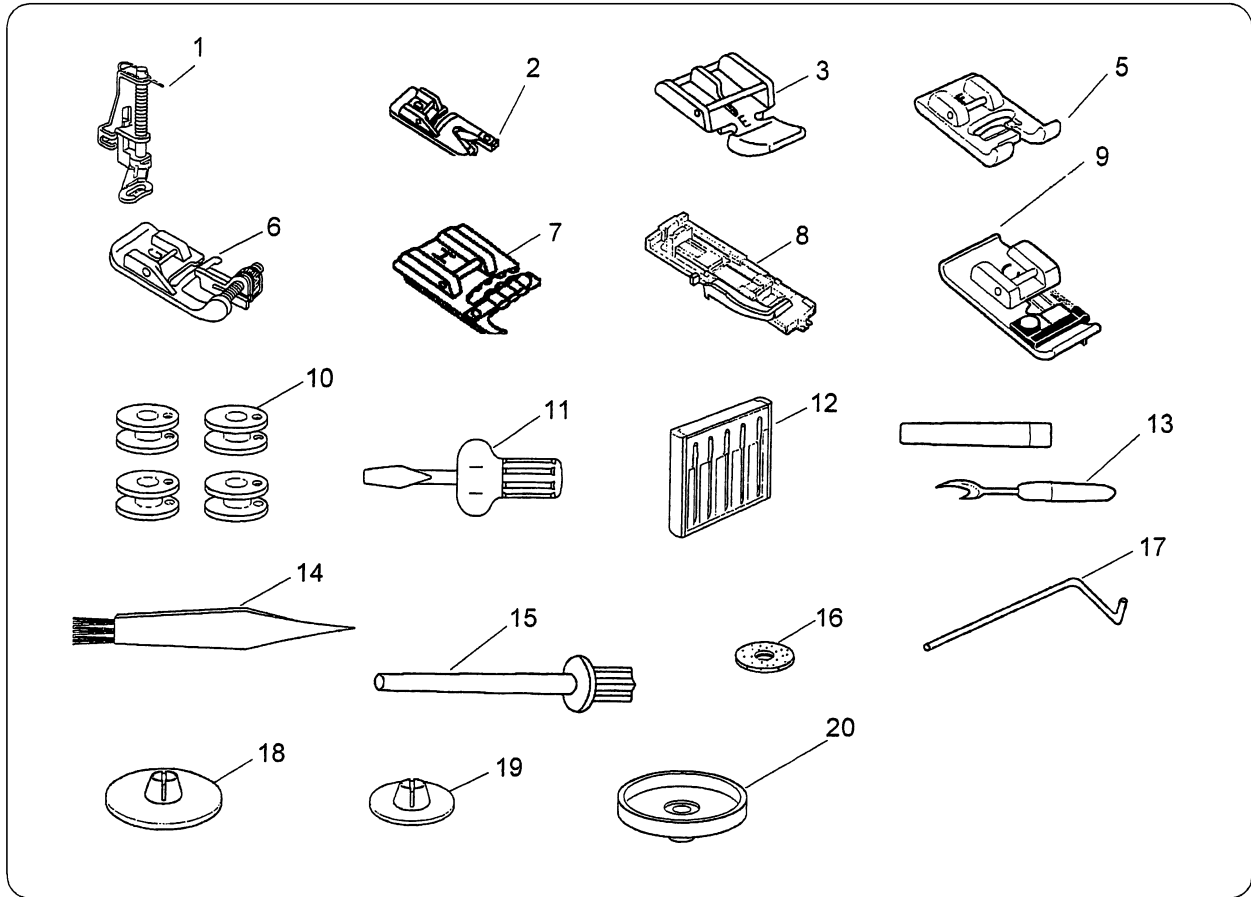
Pos. No.	Elna No.	Designation
1	395 719-98	Slide plate
2	395 710-07	Bobbin
3	395 719-69	Bobbin holder unit
4	395 712-34	Plain screw
5	395 738-05	Needle plate unit
6	395 738-03	Slide plate set plate
7	395 713-17	Slide plate set plate
8	395 713-18	Slide block
9	395 713-19	Slide block spring
10	395 713-20	Set screw 2x2.3
11	395 725-82	Guide pin
12	395 725-83	Reverse rotation stopper
13	395 713-27	Set screw
14	395 713-26	Rotation stopper
15	395 726-63	Guide pin
16	395 714-10	Pressure dial
17	395 727-60	Pressure adjusting cam holder
18	395 714-12	Pressure adjusting cam (1)
19	395 714-13	Pressure adjusting cam (2)
20	395 738-12	Presser spring
21	395 710-93	Presser bar bracket
22	395 710-94	Hexagon socket screw 4x8
23	395 738-01	Presser bar
24	395 725-88	Presser foot unit
25	395 738-04	Thumb screw
26	395 725-89	Arm thread guide
27	395 725-90	Front panel set plate
28	395 718-00	Set screw 4x8
29	395 725-91	ZZ rod unit
30	395 725-92	ZZ rod
31	395 725-93	ZZ rod spring
32	395 725-94	Set screw 2x3
33	395 716-07	Set screw 3x6
34	395 711-29	Eccentric pin
35	395 725-95	Washer
36	395 727-61	Presser bar base unit
37	395 727-62	Presser bar base
38	395 725-98	Presser bar set plate
39	395 725-99	Hexagon bolt 4x6
40	395 726-00	Washer4
41	395 713-27	Set screw
42	395 710-42	Set screw 4x8
43	395 726-07	Presser foot lever
44	395 726-08	Tension release lever
45	395 726-09	Tension release lever
46	395 719-67	Zigzag foot unit
47	395 714-17	Presser foot holder unit



Pos. No.	Elna No.	Designation
1	395 727-63	Feed rock shaft unit
2	395 727-64	Feed dog
3	395 727-65	Setscrew
4	395 723-62	Center screw
5	395 711-25	Setscrew
6	395 714-68	Spring
7	395 714-70	Feed regulator
8	395 718-44	Washer
9	395 718-75	Oil wick
10	395 715-30	Bushing
11	395 715-32	Washer
12	395 712-14	Hexagon socket screw
13	395 715-33	Ring
14	395 712-14	Hexagon socket screw
15	395 727-66	Feed shaft unit
16	395 727-67	Feed shaft
17	395 710-51	Nut
18	395 726-15	Feed adjusting arm
19	395 726-16	Spring
20	395 726-17	Feed adjusting arm
21	395 726-18	Washer
22	395 726-19	Set screw
23	395 726-20	Set screw
24	395 715-31	Bushing
25	395 726-21	Hook race unit
26	395 714-74	Pin
27	395 714-75	Oil wick
28	395 714-76	Oil wick
29	395 717-29	Washer
30	395 727-68	Hook race unit
31	395 714-73	Thread guard
32	395 713-20	Set screw
33	395 714-79	Washer
34	395 714-78	Washer
35	395 726-23	Cover
36	395 726-24	Hook base
37	395 714-82	Set screw
38	395 714-80	Pin supporter
39	395 710-42	Set screw
40	395 714-89	Set plate
41	395 714-23	Washer
42	395 710-38	Set screw
43	395 714-86	Magnet
44	395 714-90	Hinge screw
45	395 717-29	Washer
46	395 711-25	Hexagon socket screw



Pos. No.	Elna No.	Designation
1	395 727-69	Stepping motor (ZZ) unit
2	395 726-43	Connecting arm
3	395 711-03	Snap ring E-3
4	395 726-44	Sensor unit
5	395 710-42	Set screw 4X8
6	395 726-45	Transformer unit (120V)
	395 726-46	Transformer unit (220-240V)
7	395 726-41	Set screw 4X6
8	395 726-47	Transformer supporter (for 120V only)
9	395 727-70	Print board C unit (120V)
	395 726-50	Print board C unit (220-240V)
10	395 718-34	Set screw 3X 10B
11	395 726-48	Motor unit
12	395 722-71	Set screw TP 4x110
13	395 727-71	Machine socket unit (120V)
	395 727-72	Machine socket unit (220-240V)
14	395 726-52	Set screw 4X8B
15	395 712-61	Set screw 4X10
16	395 715-76	Bobbin winder unit
17	395 716-36	Spring
18	395 727-73	Switch lever
19	395 716-07	Set screw 3x6
20	395 715-79	Hinge screw
21	395 727-76	Declutch arm
22	395 722-82	Spring
23	395 722-83	Hinge screw
24	395 726-51	Idler unit
25	395 727-77	Belt cover
26	395 727-78	Set screw 4x20
27	395 727-79	Belt cover set plate
28	395 726-61	Cord guide
29	395 711-18	Cord binding
30	395 727-82	Fuse AC 120V, 2.5A
	395 727-83	Fuse AC 220-240V, 2.0A
31	395 727-84	Fuse AC 120V, 3.15A
	395 727-85	Fuse AC 220-240V, 5.0A
32	395 710-61	Cap
33	395 716-35	Set screw TP 3x6



Pos. No.	Elna No.	Designation
1	395 719-08	Darning foot
2	395 719-33	Hemmerfoot
4	395 719-64	Zipperfoot
5	395 719-32	Satin stitch foot
6	395 719-35	Blind hem stitch foot
7	395 719-45	Cording foot
8	395 719-30	Automatic bh foot
9	395 719-46	Overlock foot
10	494 430-20	Plastic bobbin
11	395 710-09	Large screw driver
12	395 719-65	Needle set
13	395 710-13	Buttonhole opener
14	395 719-36	Lint brush
15	395 719-42	Additional spool pin
16	395 719-41	Spool pin felt
17	395 719-40	Quilter
18	395 719-39	Spool holder (large)
19	395 719-38	Spool holder (small)
20	395 719-63	Spool stand
21	395 722-01	Power supply cord for USA & Canada
	395 722-02	Power supply cord for Australia
	395 722-00	Power supply cord for Continental Europe
	395 722-03	Power supply cord for U.K.
	395 738-40	Power supply cord for Argentina
22	395 722-91	Foot control
23	395 730-82	Instruction manual (English)
	395 730-81	Instruction manual (German)
	395 730-87	Instruction manual (French)
24	395 738-00	Hard resin cover
	395 738-37	Set of styro-foams
	395 738-36	Carton box