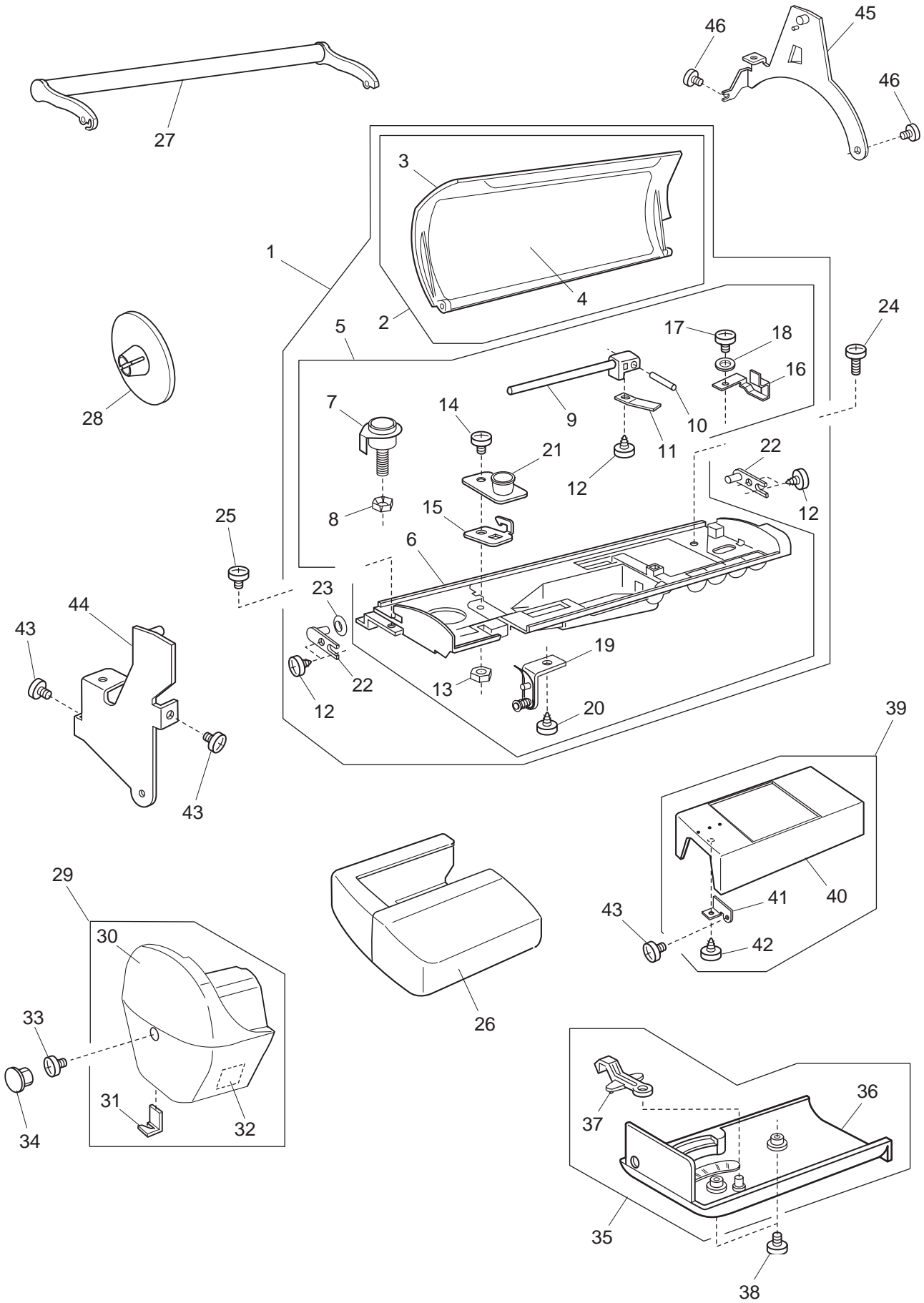


PARTS LIST

eXperience 620

-elna

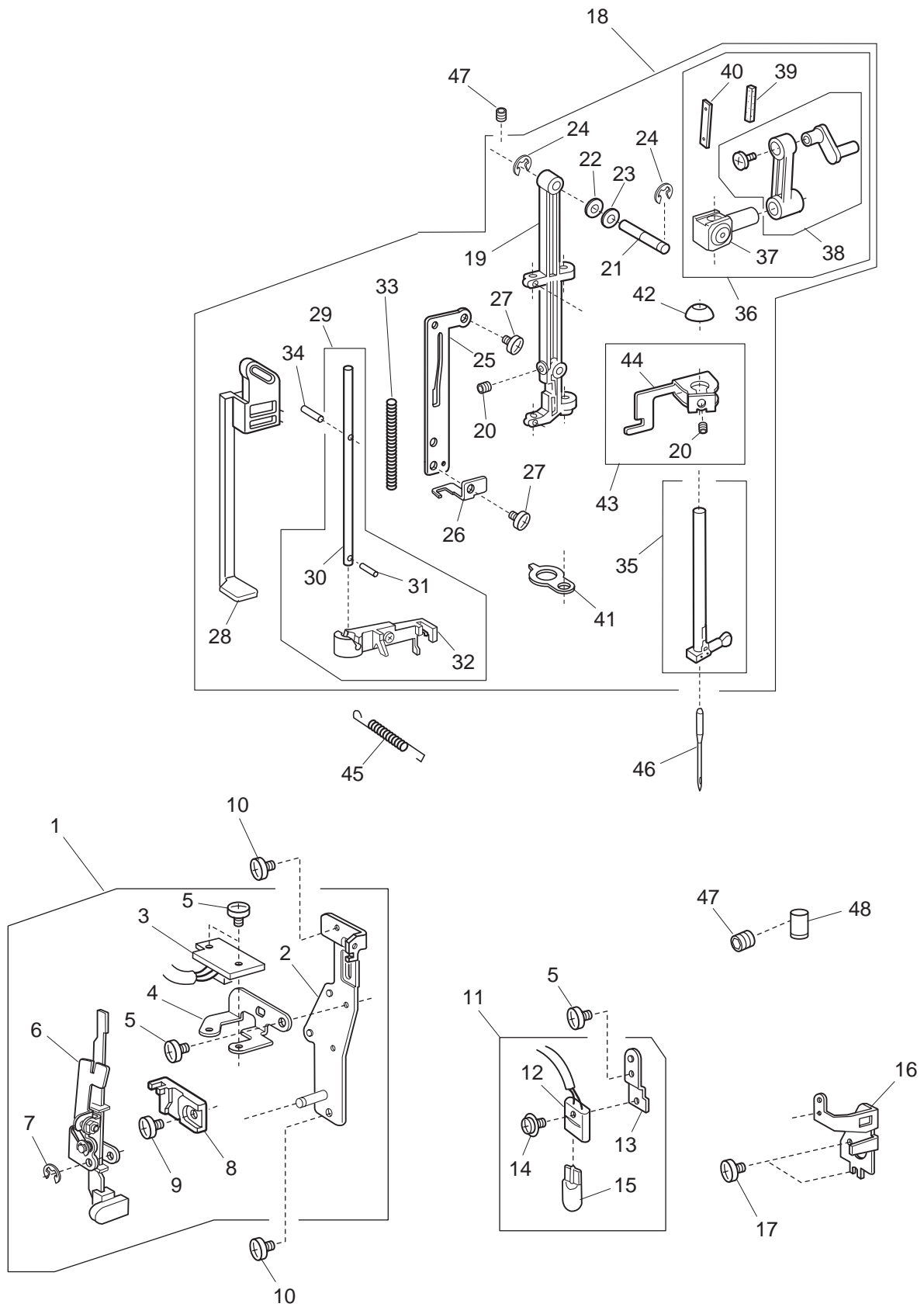
PARTS LIST



PARTS LIST

KEY NO.	PARTS NO.	DESCRIPTION
1	849624908	Top cover (unit)
2	849603901	Top cover (unit)
3	849015184	Top cover
4	849080009	Reference chart (1)
5	849604108	Top cover compartment (unit)
6	849017005	Top cover compartment
7	730501022	Thread guide (unit)
8	000160102	Adjustable locknut 4
9	822016609	Spool pin
10	822017002	Spool pin shaft
11	822018003	Spool pin spring
12	000107318	Set screw 3x8 (B)
13	000062701	Hexagonal nut
14	693093006	Flat screw
15	503144001	Bobbin winder stopper
16	840138006	Top cover thread guide
17	000078320	Setscrew 3x6
18	000070126	Plain washer 3
19	849611005	Thread guide plate (unit)
20	000161701	Setscrew 2.3x5 (B)
21	753502002	Top cover thread guide (unit)
22	506034006	Top cover hinge
23	503169002	Curved washer
24	000080901	Setscrew 4x25
25	000078342	Setscrew 3x6
26	849503003	Extension table (unit)
27	849020001	Carrying handle
28	822020503	Spool holder (Large)
29	849605006	Face plate (unit)
30	849023004	Face plate
31	840602006	Thread cutter (unit)
32	827099003	Reflector sticker
33	000101817	Setscrew 4x6
34	653006101	Cap
35	827602108	Bed cover (unit)
36	827004104	Bed cover
37	753005000	Drop feed lever
38	000101703	Setscrew 4x12
39	659601100	Free arm cover (unit)
40	659001104	Free arm cover
41	756004008	Free arm cover set plate
42	000120203	Setscrew 3x8 (B)
43	000101404	Setscrew 4x6
44	849021002	Handle bracket (front)
45	849022003	Handle bracket (rear)
46	000081005	Setscrew 4x6

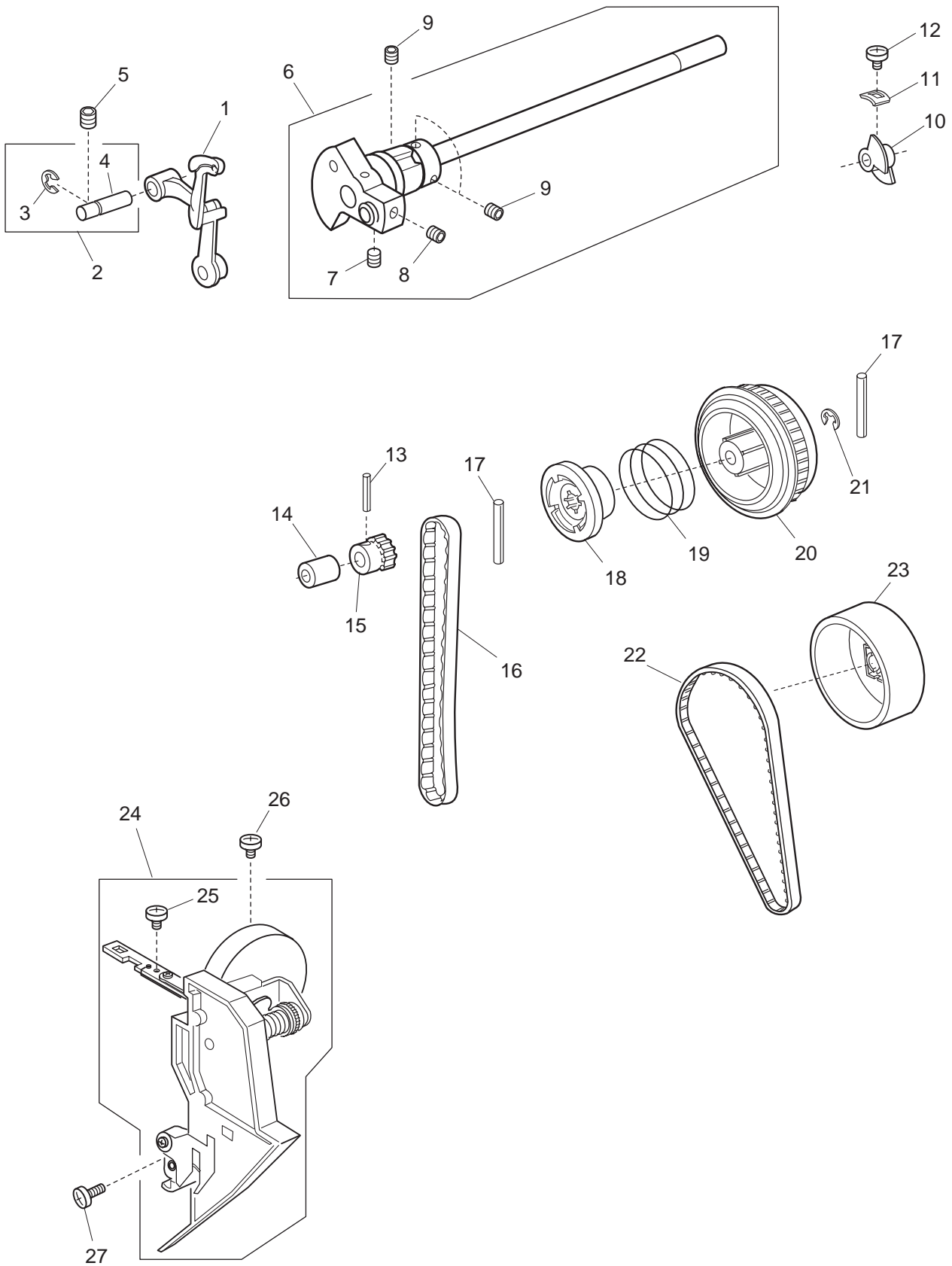
PARTS LIST



PARTS LIST

KEY NO.	PARTS NO.	DESCRIPTION
1	843620102	Front bracket (unit)
2	840108007	Front bracket
3	843502107	Printed circuit board E-1 (unit)
4	843009006	Sensor bracket
5	000101105	Setscrew 3x4
6	843625107	BH lever (unit)
7	000002105	Snap ring E-3
8	830057021	BH lever guide
9	000103808	Setscrew 3x5
10	000101404	Setscrew 4x6
11	843616105	Lamp socket (unit)
12	843508206	Lamp socket (unit)
13	843039005	Lamp socket bracket (2)
14	000115308	Setscrew TP 2x8
15	000026002	Wedge base lamp 12 V, 5 W
16	843038004	Lamp socket bracket (1)
17	000101507	Setscrew 3.5x5
18	840647106	Needle bar supporter (unit)
19	827026010	Needle bar supporter
20	000111902	Hexagonal socket screw 3x4
21	840137005	Needle bar supporter pin
22	673022002	Wave washer
23	000070609	Plain washer 6
24	000002507	Snap ring E-4
25	840033000	Threader guide plate
26	840037004	Threader lever supporter
27	000078319	Setscrew 3x6
28	840034001	Threader lever
29	840646002	Threader shaft (unit)
30	840036003	Threader shaft
31	000003508	Pin 2x8
32	755643002	Threader plate (unit)
33	840035002	Threader spring
34	000125105	Pin
35	653503103	Needle bar (unit)
36	843652000	Needle bar connection stud (unit)
37	639516002	Needle bar connection stud (unit)
38	843543007	Needle bar crank pin (unit)
39	650040005	Felt
40	650041006	Felt holder spring
41	829027006	Supporter guide
42	827098013	Curved washer
43	807607008	Threader positioning plate (unit)
44	807018006	Threader positioning plate
45	827092006	Supporter spring
46	102408089	Needle HA1-14
47	000111201	Hexagonal socket screw 4x4
48	827083004	Supporter guide pin

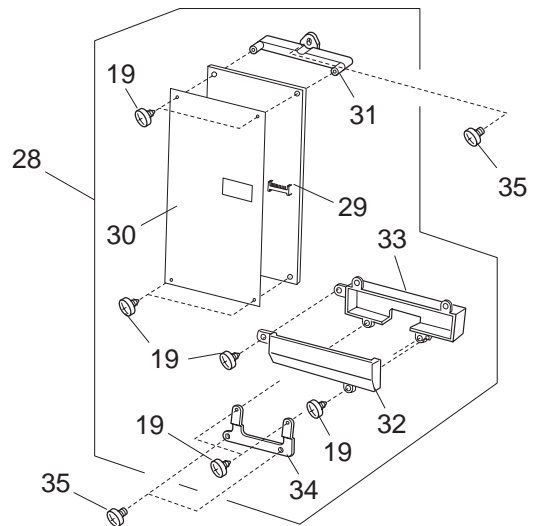
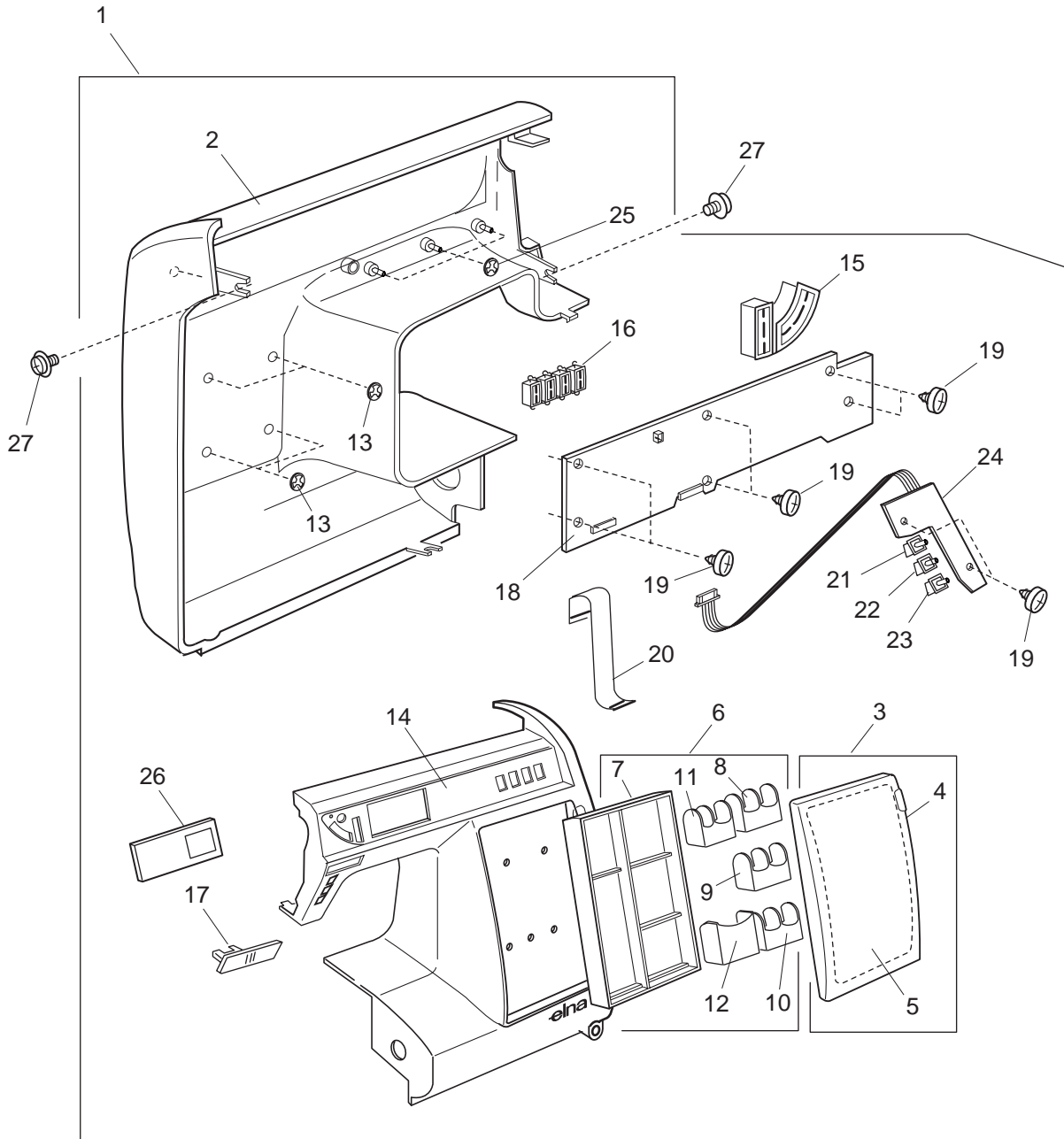
PARTS LIST



PARTS LIST

KEY NO.	PARTS NO.	DESCRIPTION
1	820511108	Thread take-up lever (unit)
2	650626001	Thread supporter shaft (unit)
3	000001702	Snap ring E-6
4	650062003	Thread take-up lever pin
5	000111201	Hexagonal socket screw 4x4
6	849623103	Upper shaft (unit)
7	000111706	Hexagonal socket screw 5x8
8	000110901	Hexagonal socket screw 5x4
9	000111304	Hexagonal socket screw 5x5
10	830095010	Upper shaft shield plate
11	820102009	Washer
12	000081005	Setscrew 4x8
13	000020501	Spring pin 3x22
14	673062004	Upper shaft bushing (rear)
15	756017004	Upper shaft timing gear
16	650071005	Timing belt
17	000024206	Spring pin 3x30
18	502064003	Clutch ring
19	502065004	Clutch spring
20	844050016	Belt wheel
21	000030205	Snap ring E-8
22	653139012	Timing belt
23	849049006	Hand wheel
24	849509009	Tension assembly
25	000103808	Setscrew 3x5
26	000101404	Setscrew 4x6
27	000101703	Setscrew 4x12

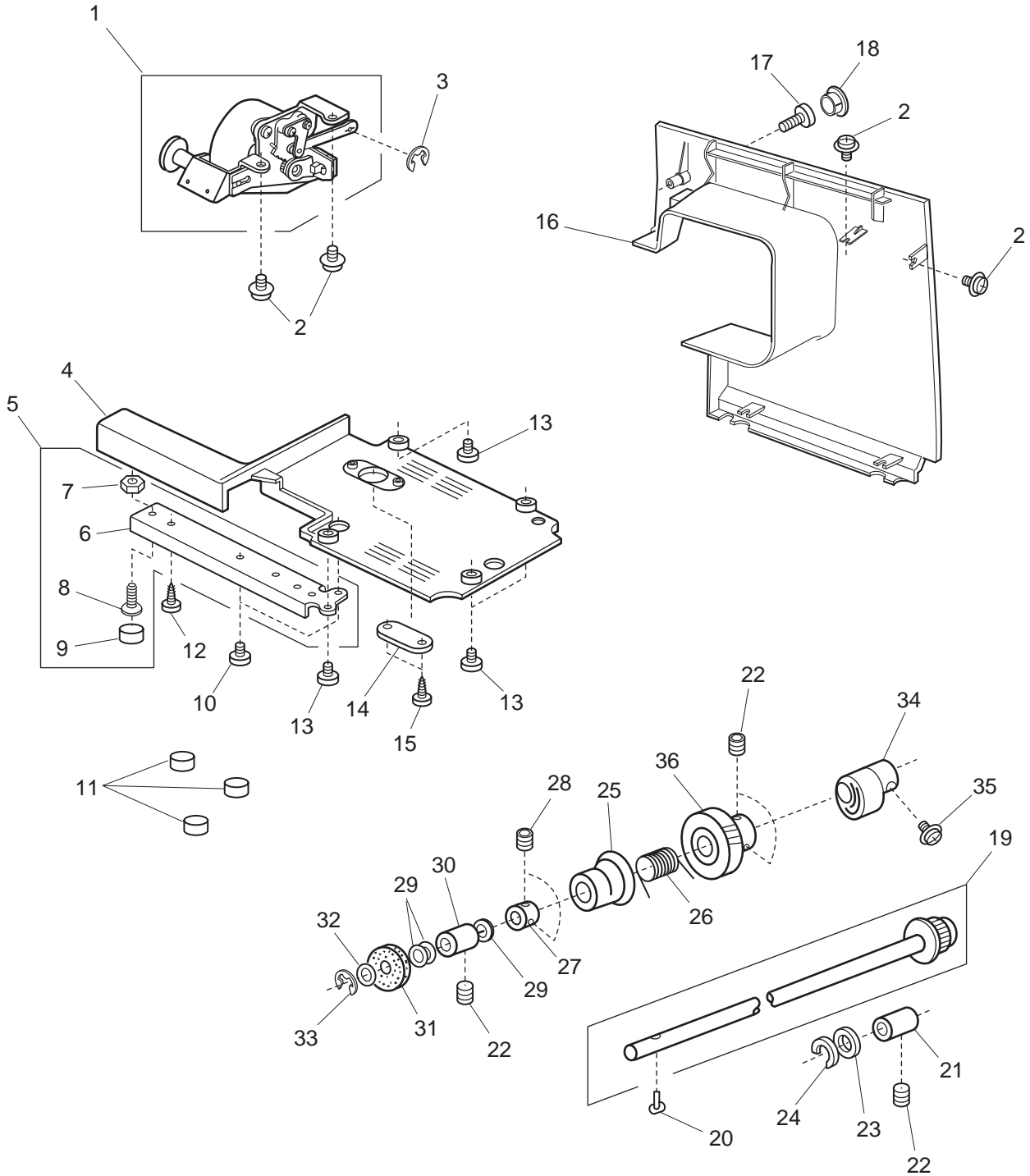
PARTS LIST



PARTS LIST

KEY NO.	PARTS NO.	DESCRIPTION
1	849622607	Front cover (unit)
2	849032224	Front cover
3	849619047	Side cover (unit)
4	849033188	Side cover
5	849081000	Reference chart (2)
6	849602106	Storage compartment (unit)
7	849034008	Storage compartment
8	849058134	Storage compartment (1)
9	849058145	Storage compartment (1)
10	849058156	Storage compartment (1)
11	849059113	Storage compartment (2)
12	849060117	Storage compartment (3)
13	000014007	Snap ring CS-4
14	849066102	Keyboard panel
15	849037207	Keyboard button (1)
16	849068104	Keyboard button (2)
17	849040007	Speed control lever
18	849506006	Printed circuit board K (unit)
19	000120203	Setscrew 3x8
20	844512000	Flat cable
21	849042102	Button
22	849042205	Button
23	849042308	Button
24	849507007	Printed circuit board F (unit)
25	000014306	Snap ring CS-3
26	849067103	Indication plate
27	000115205	Setscrew TP 4x6
28	848610104	Printed circuit board A (unit)
29	849508101	Printed circuit board A (unit)
30	847034002	Insulation paper
31	848014009	A-board bracket (upper)
32	846184005	A-board case
33	846185006	A-board case lid
34	848017002	A-board case supporter
35	000081005	Setscrew 4x8

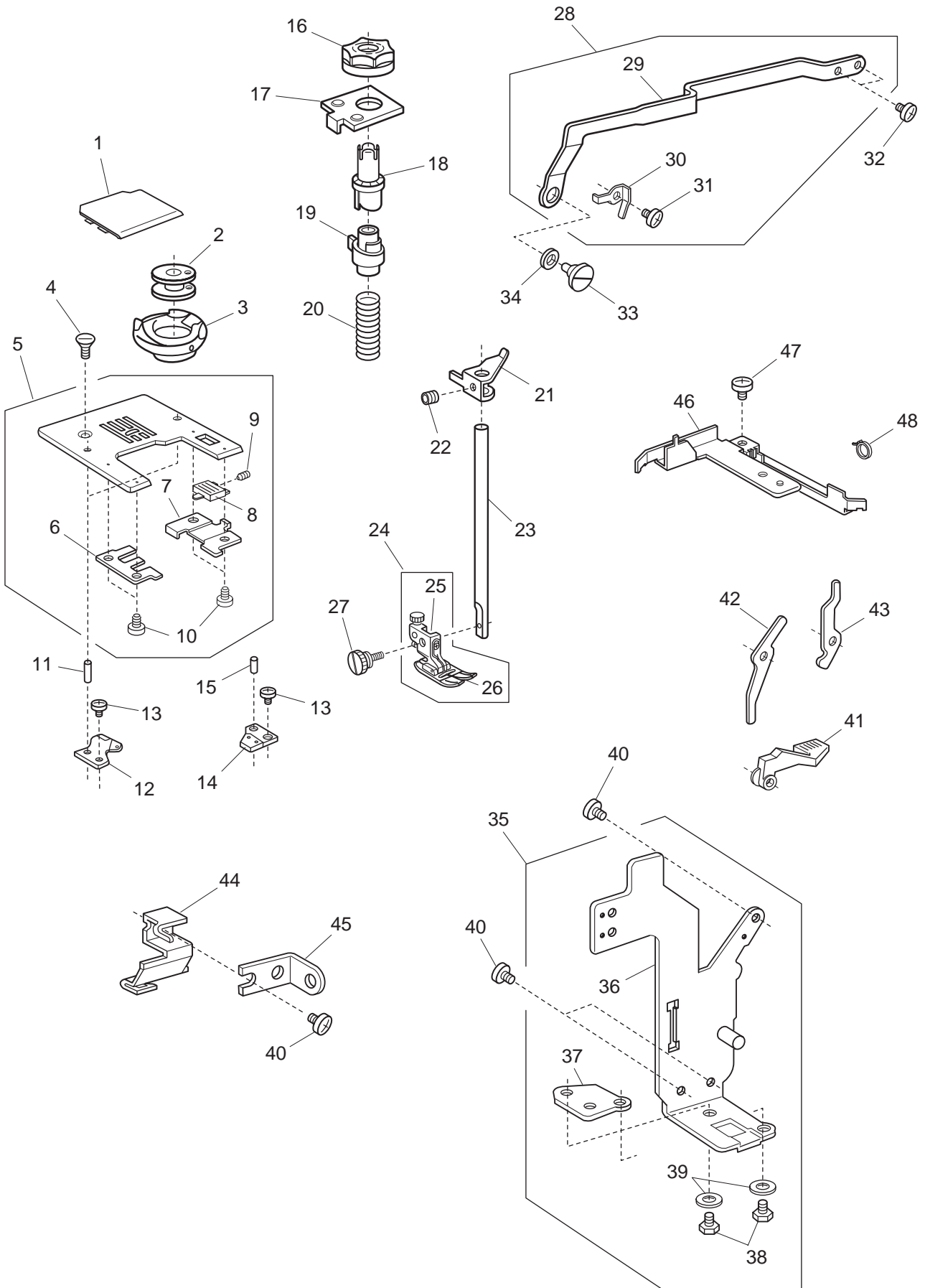
PARTS LIST



PARTS LIST

KEY NO.	PARTS NO.	DESCRIPTION
1	843606102	Feed motor (unit)
2	000115205	TP screw 4x6
3	000002105	Snap ring E-3
4	827003000	Base
5	827601107	Leg (unit)
6	827002102	Leg
7	000061412	Nut 5-3-8
8	000097901	Flat screw 5x18
9	735002001	Rubber foot
10	000066808	Setscrew 6x14
11	647009002	Rubber foot
12	000161206	Setscrew 3x10 (B)
13	000103509	Set screw 4x10
14	824058001	Base lid
15	000107318	Setscrew 3x8 (B)
16	849001121	Rear cover
17	000104108	Setscrew 4x20
18	653006101	Cap
19	751612206	Lower shaft (unit)
20	820161006	Feed lifting pin
21	650079003	Lower shaft bushing (rear)
22	000111304	Hexagonal socket screw 5x5
23	822070003	Felt (1)
24	822112008	Felt holder (1)
25	753183025	Feed lifting cam
26	686035008	Feed lifting cam spring
27	820166001	Ring
28	000111201	Hexagonal socket screw 4x4
29	000038502	Washer
30	650078002	Lower shaft bushing (front)
31	735143005	Felt
32	858177002	Washer
33	000002806	Snap ring E-6
34	751148000	Feed cam
35	000115009	Setscrew TP 3x14
36	650955002	Lower shaft gear

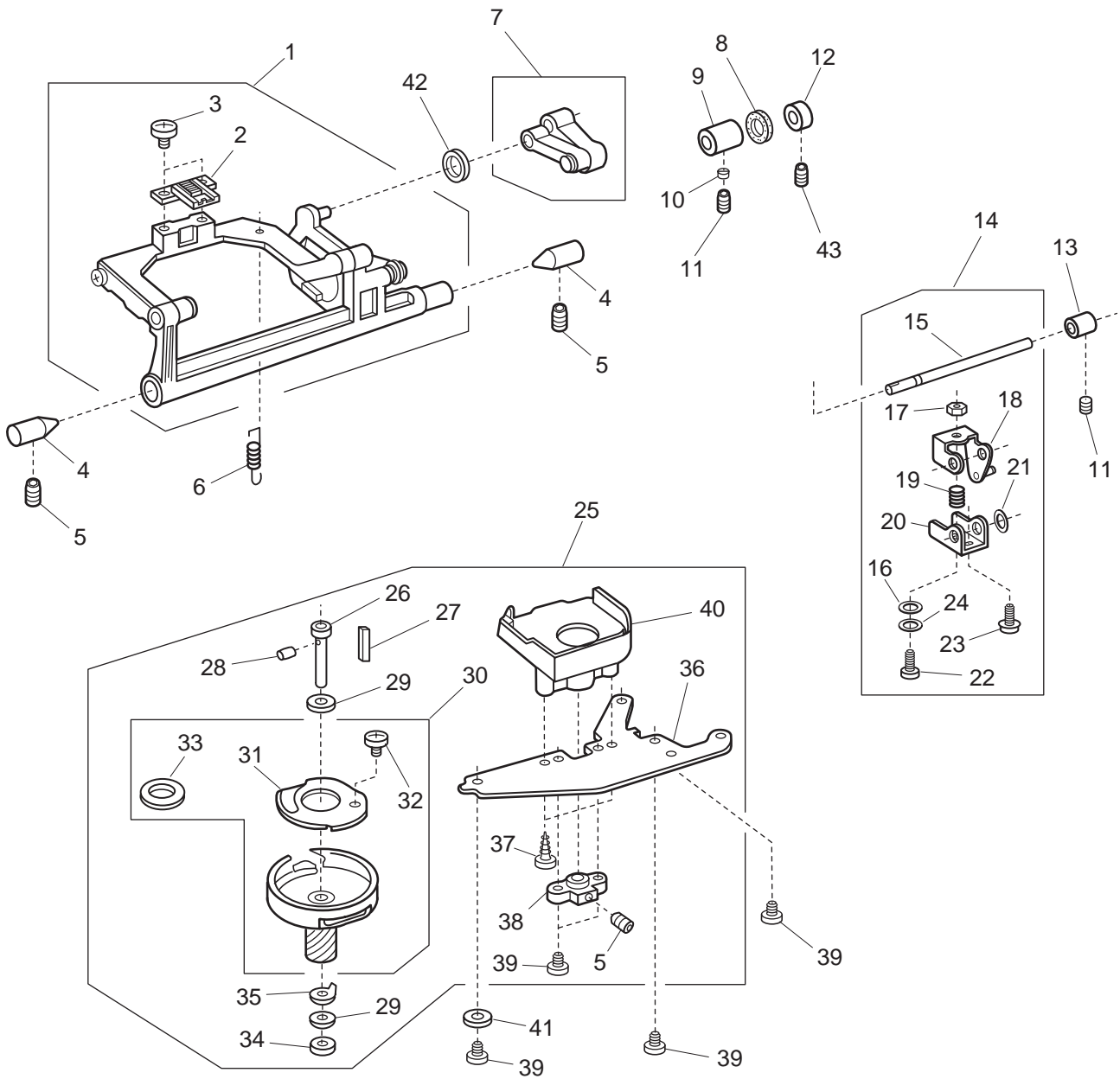
PARTS LIST



PARTS LIST

KEY NO.	PARTS NO.	DESCRIPTION
1	750036012	Hook cover plate
2	102261000	Bobbin
3	627569106	Bobbin holder (unit)
4	681009101	Flat screw
5	756604303	Needle plate (unit)
6	832235010	Hook cover holder (left)
7	825015010	Hook cover holder (right)
8	825016000	Hook cover release button
9	825017001	Hook cover holder spring
10	820374004	Setscrew 2 x 2.3
11	000122504	Pin
12	827011001	Stopper
13	810220003	Setscrew
14	627567001	Hook stopper (unit)
15	000122700	Pin
16	822065005	Foot pressure dial
17	840120005	Foot pressure adjusting cam support
18	686027007	Foot pressure adjusting cam (1)
19	686028008	Foot pressure adjusting cam (2)
20	840129004	Presser bar spring
21	735028003	Presser bar bracket
22	000111500	Hexagonal socket screw 4x8
23	827021004	Presser bar
24	829515006	Presser foot (unit)
25	804509000	Presser foot holder (unit)
26	832523007	Zigzag foot (unit)
27	647112009	Thumbscrew
28	827622012	Zigzag rod (unit)
29	827055018	Zigzag rod
30	827088009	Zigzag rod spring
31	820373003	Setscrew 2x3
32	000078319	Setscrew 3x6
33	678084007	Eccentric pin
34	653037008	Washer
35	848603001	Presser bar plate (unit)
36	848023001	Presser bar plate
37	827082003	Presser bar positioning plate
38	000066303	Hexagonal bolt 4x6
39	000070908	Plain washer 4
40	000081005	Setscrew 4x8
41	849052002	Presser foot lifter
42	827022005	Tension release lever (1)
43	827023006	Tension release lever (2)
44	827036002	Arm thread guide
45	827037003	Front cover bracket
46	849028009	Cord guide
47	000101404	Setscrew 4x6
48	000053008	Cord binder

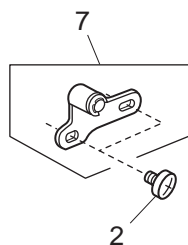
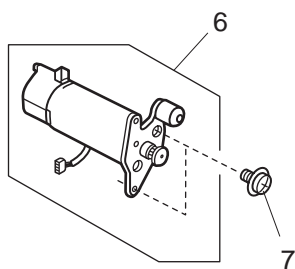
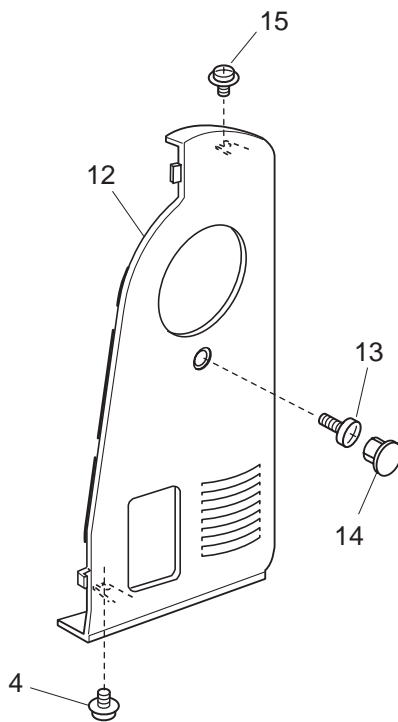
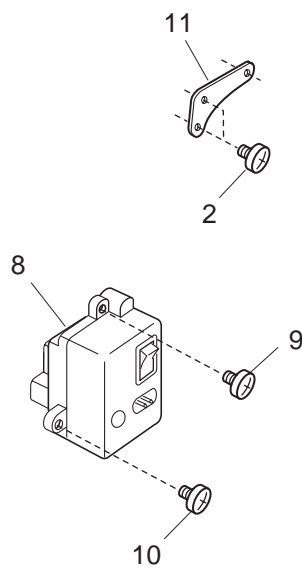
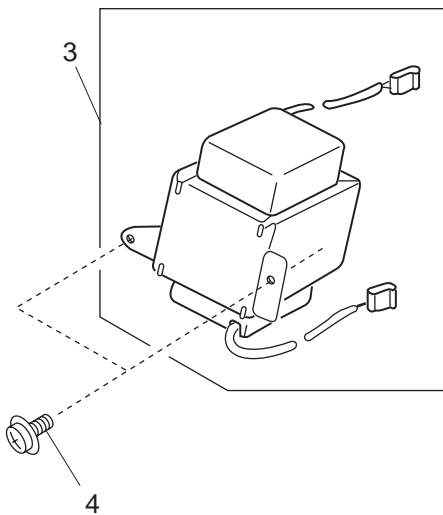
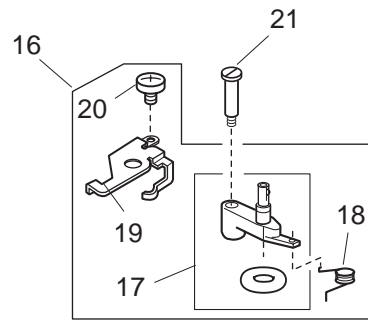
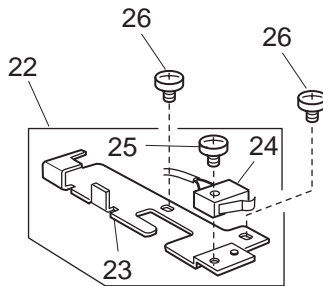
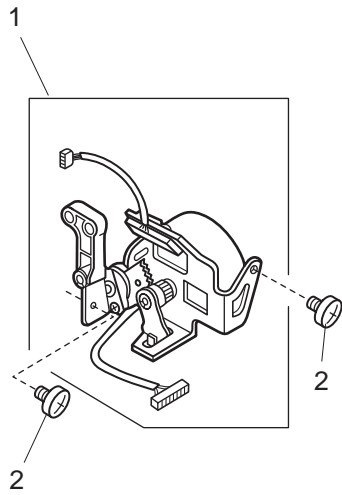
PARTS LIST



PARTS LIST

KEY NO.	PARTS NO.	DESCRIPTION
1	834527100	Feed shaft (unit)
2	840005003	Feed dog
3	000104005	Setscrew 3.5x8
4	738055008	Straight center pin
5	000111304	Hexagonal socket screw 5x5
6	650085002	Feed bar spring
7	650612004	Feed regulator (unit)
8	823110009	Felt
9	625144002	Feed shaft bushing (front)
10	650175000	Cushion
11	000111201	Hexagonal socket screw 4x4
12	820387000	Ring
13	650092002	Feed shaft bushing (rear)
14	840603007	Feed shaft (unit)
15	840006004	Feed shaft
16	000071013	Plain washer
17	000160102	Adjustable nut 4
18	825261002	Feed arm (2)
19	589040002	BH feed adjusting spring
20	827043105	Feed arm (1)
21	810207004	Spring washer
22	827086007	Feed arm screw
23	000115906	TP screw 3x12
24	000036407	Washer
25	827614033	Hook (unit)
26	820123006	Hook shaft
27	820124007	Oil wick (1)
28	820125008	Oil wick (2)
29	000038409	Washer
30	650623008	Hook race (unit)
31	627191000	Hook race bottom plate
32	820374004	Setscrew 2x2.3
33	627190010	Hook race magnet
34	625102008	Plain washer
35	627192001	Hook shaft washer
36	823106002	Hook bracket
37	000107204	Setscrew 3x12 (B)
38	650094004	Hook shaft base
39	000081005	Setscrew 4x8
40	827040009	Hook race cover
41	000070506	Plain washer
42	000036603	Washer
43	000111108	Hexagonal socket screw 4x6

PARTS LIST

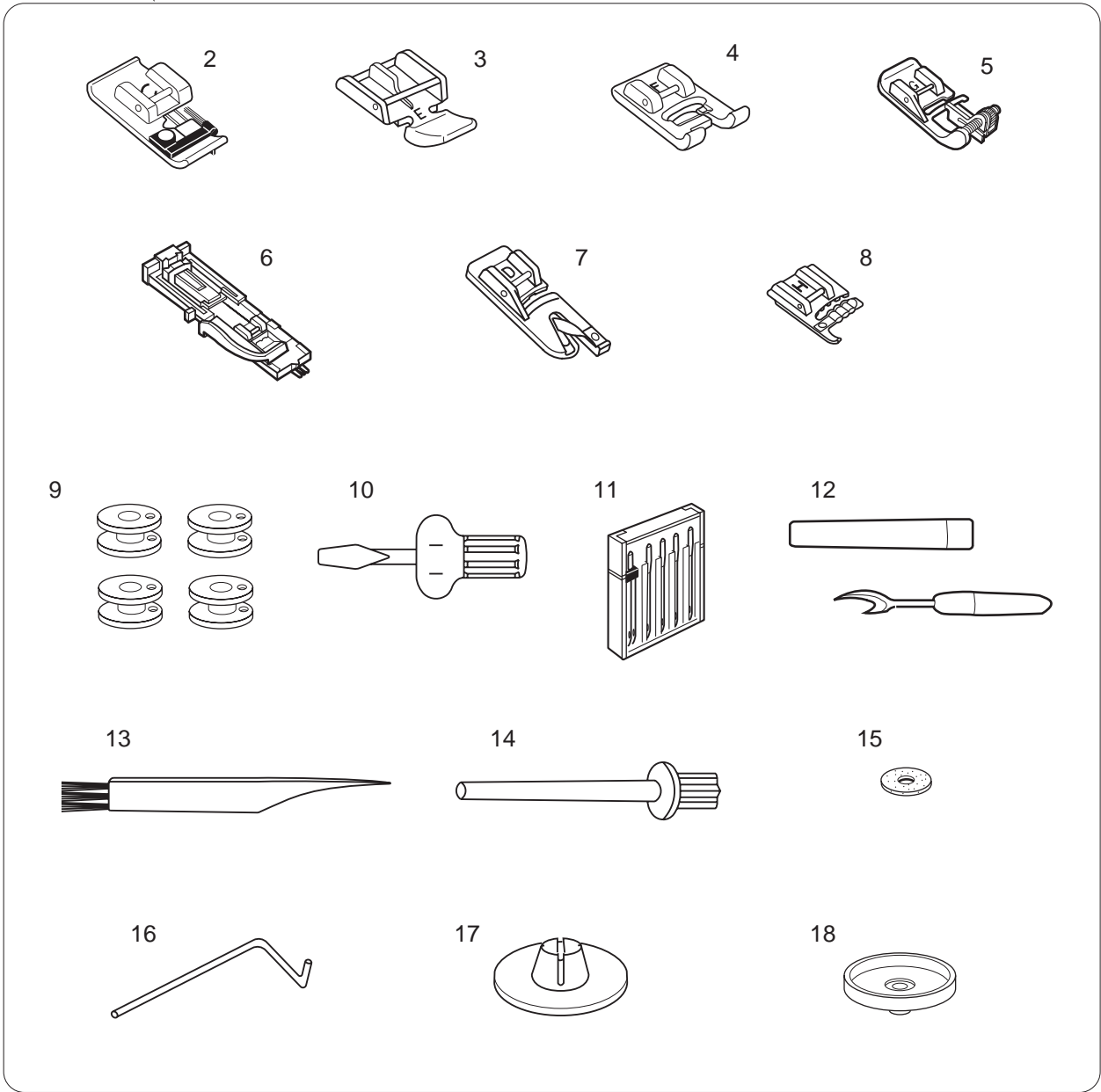


PARTS LIST

KEY NO.	PARTS NO.	DESCRIPTION
1	843608300	Zigzag motor (unit)
2	000081005	Setscrew 4x8
3	843516207	Power transformer (unit) (230V)
4	000115205	TP screw 4x6
5	843615207	DC motor (unit)
6	000115700	TP screw 4x10
7	652611009	Idler (unit)
8	845504301	Machine socket (unit)
9	000103509	Setscrew 4x10
10	000101817	Setscrew 4x16
11	827085017	Belt cover bracket
12	849048005	Belt cover
13	000104108	Setscrew 4x20
14	653006101	Cap
15	000114709	TP screw 3x6
16	849616000	Bobbin winder (unit)
17	849505005	Bobbin winder (unit)
18	823119008	De-clutch arm spring
19	849046003	De-clutch arm
20	000078319	Setscrew 3x6
21	686063005	Hinge screw
22	849609000	Bobbin winder switch (unit)
23	849047004	Bobbin winder switch set plate
24	660518907	Micro switch (unit)
25	000102900	Setscrew 2x8
26	000101404	Setscrew 4x6

PARTS LIST

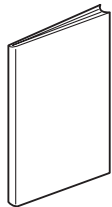
1



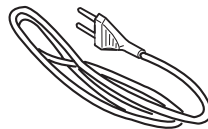
19



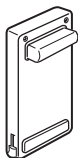
20



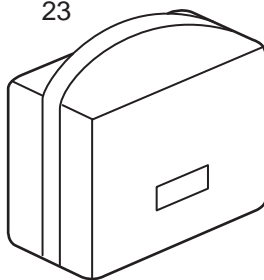
21



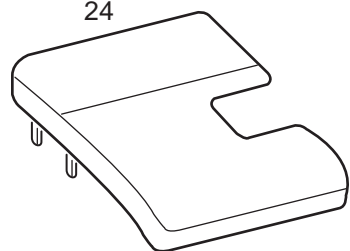
22



23



24



18

PARTS LIST

KEY NO.	PARTS NO.	DESCRIPTION
1	849870015	Accessory (unit)
2	822801001	Overedge foot
3	829801002	Zipper foot
4	822804118	Satin stitch foot
5	820817015	Blind hem foot
6	753801004	Buttonhole foot
7	820809014	Rolled hem foot
8	820819006	Cording foot
9	102261000	Bobbins
10	820832005	Screwdriver
11	820827007	Needle set
12	647808009	Seam ripper
13	802424004	Lint brush
14	625031500	Additional spool pin
15	102403109	Felt
16	802422002	Quilt guide
17	822019509	Spool holder (small)
18	829803004	Spool stand
19	849801004	Circular pivot pin
20	849800450	Instruction book
21	830335004	Power supply cord
22	043271133	Foot control
23	849802005	Cover
24	849808001	Table