

**MODEL**

**300**

**PIÈCES DE RECHANGE**

**ERSATZTEILE**

**SPARE PARTS**

**PIEZAS DE RECAMBIO**

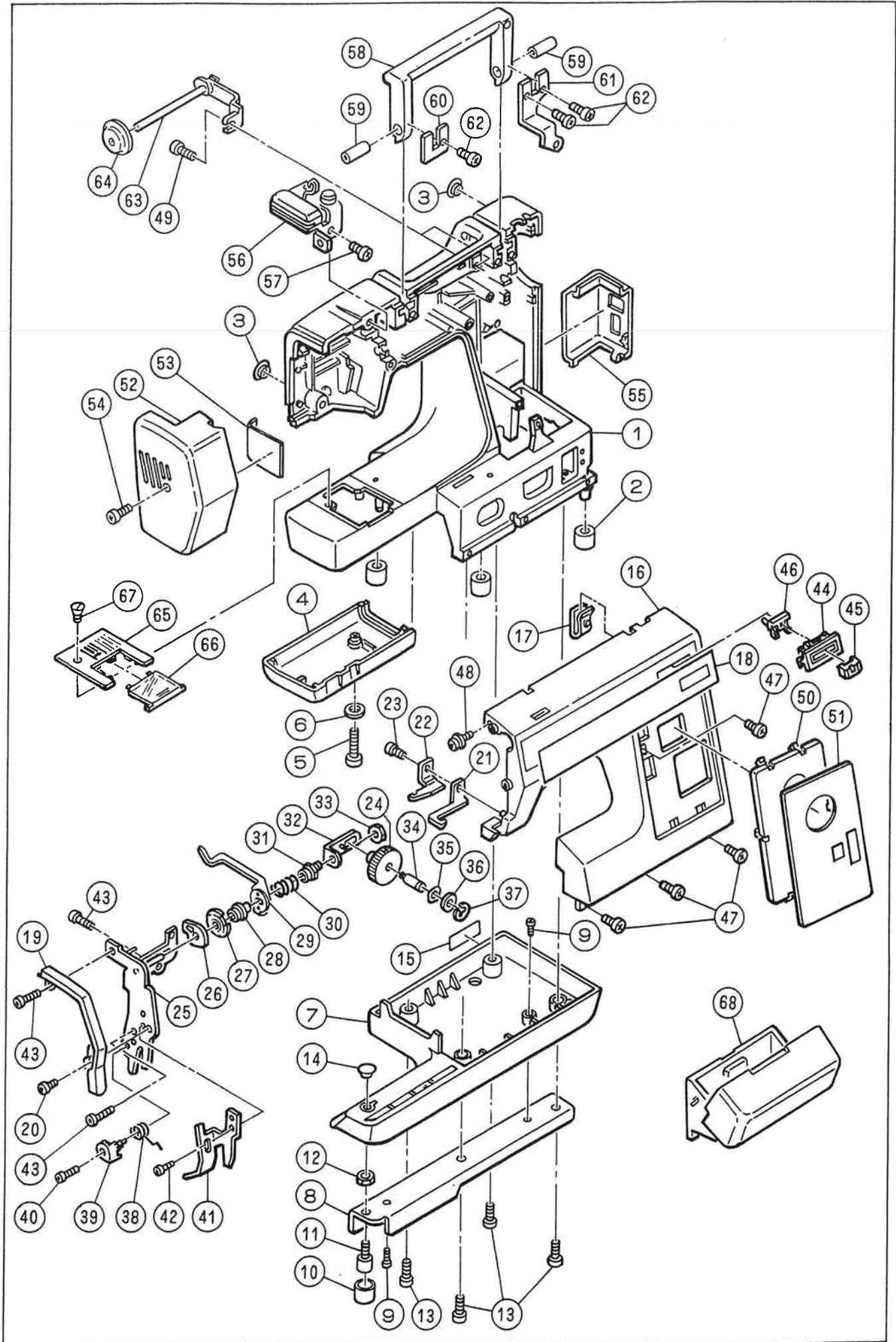
MAY, 1990

395900-10

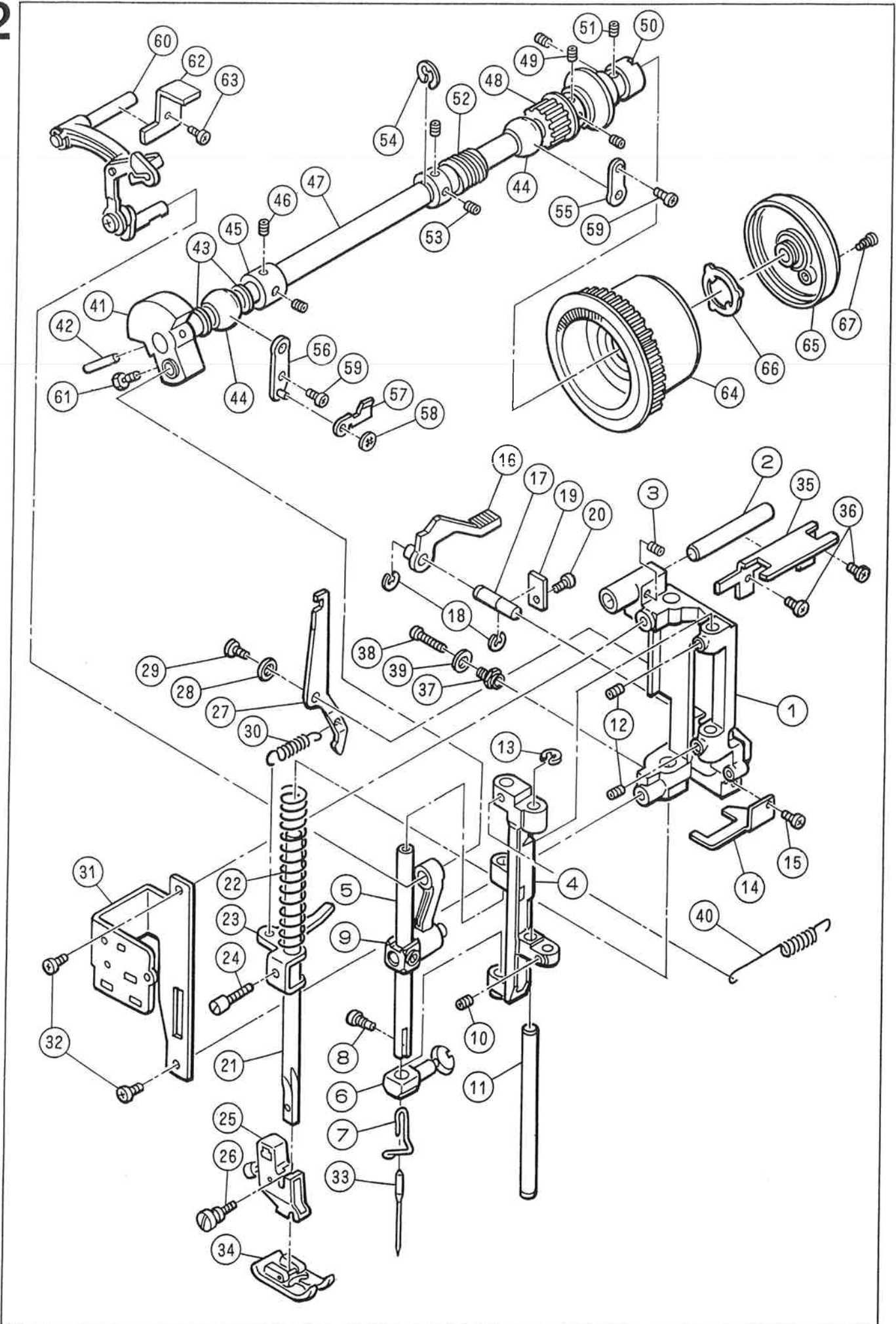
## INDEX

1. Head, bed lid, base plate, front cover, upper tension device, front panel, light cover, terminal cover, handle, spool pin, needle plate, extension table
  2. Needle bar, presser bar, main shaft, flywheel
  3. Belt tension regulator, timing belt, lower shaft, feed rock shaft, hook race
  4. Bobbin winder, zigzag unit, feed regulator
  5. Motor, light, foot controller
  6. Accessories, instruction books
- 7/8/9. Drawing number index and weights

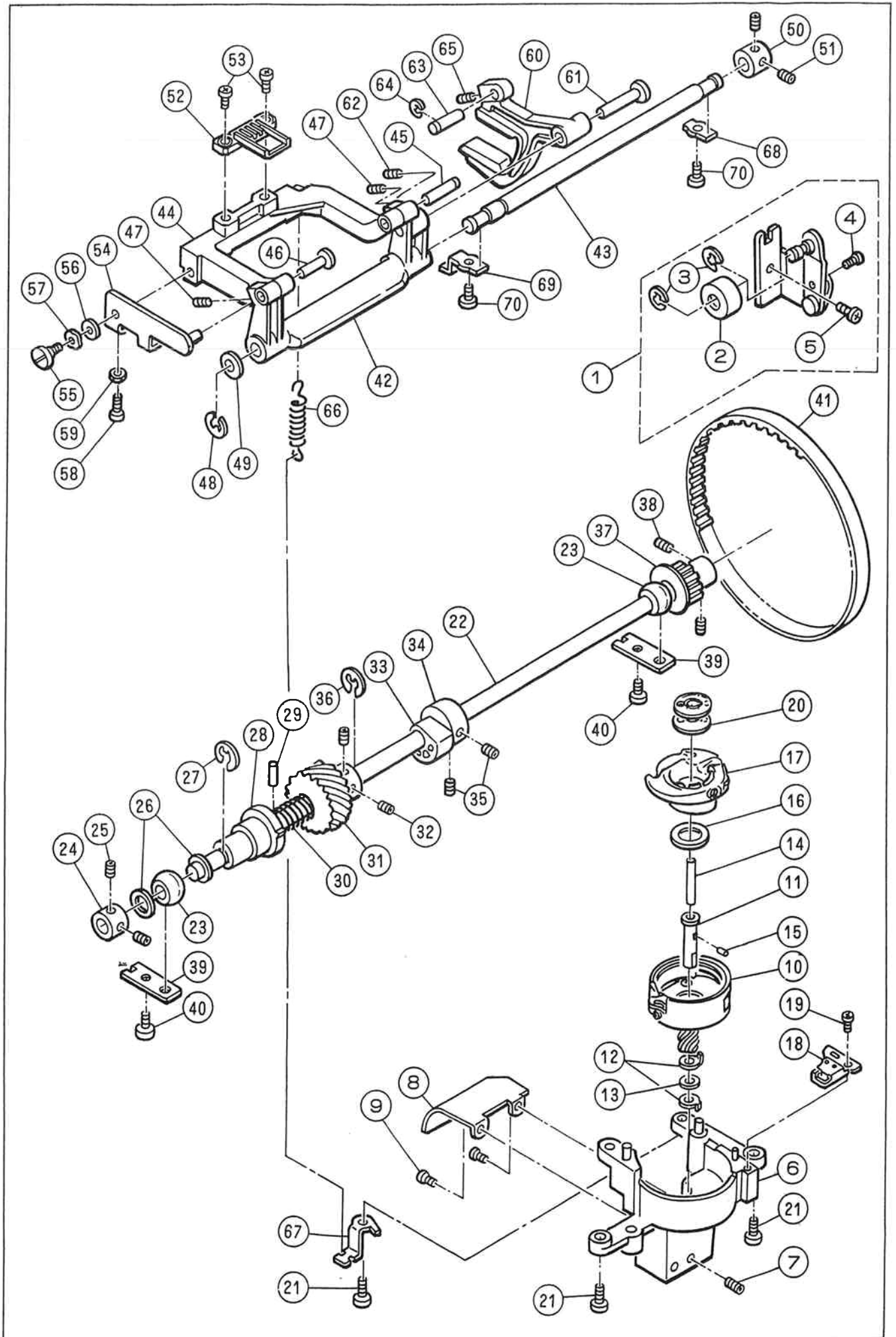
1



<u>Ref. No.</u>	<u>Happy's Part No.</u>	<u>Tavaro's Part No.</u>	<u>Name of Part</u>
1	30000	395'525-43	Head
2	91362	395'525-44	Rubber Foot
3	91365-2	395'525-45	Cap
4	30001	395'525-46	Bed Lid
5	S90592	395'525-47	Set Screw (Pan:M4x0.7x20)
6	7356	395'520-85	Washer (5.5x10x0.8)
*	30003	395'525-48	Base Assy. (Incl. 7-12)
7	30004	395'525-49	Base
8	30005	395'525-50	Base Reinforcement Plate
9	S10812-B	395'521-36	Tapping Screw (Bind:M3x10)
10	91362	395'525-44	Rubber Foot
11	S30006	395'525-52	Rubber Foot Adjusting Screw
12	N91648	395'525-53	Adjustable Lock Nut
13	S11353	395'525-54	Set Screw (Pan:M5x0.8x12)
14	91365-2	395'525-45	Cap
15a	30002	395'525-56	Serial Number Plate (USA)
15b	30121	395'525-57	Serial Number Plate (CH,D,F,A)
15c	30140	395'525-58	Serial Number Plate (AUS)
15d	30145	395'525-59	Serial Number Plate (NZ)
15e	30146	395'525-60	Serial Number Plate (CDN)
*	30007	395'525-61	Front Cover Assy. (Incl. 16-46)
16	30008	395'525-62	Front Cover
17	N30009	395'525-63	Front Cover Nut
18	30013	395'525-64	Pattern Chart Label
19	30034	395'525-65	Thread Take-Up Lever Cover
20	S2890	396'204-57	Set Screw (Bind:M4x0.7x6)
21	30032	395'525-67	Lower Thread Guide (A)
22	30033	395'525-68	Lower Thread Guide (B)
23	S30123	395'525-69	Set Screw (Bind:M4x0.7x12)
*	30014	395'525-70	Tension Regulator Assy. (Incl. 24-42)
24	30015	395'525-71	Tension Dial
25	30016	395'525-72	Tension Bracket w/Pins
26	30018	395'525-73	Tension Disc (L)
27	30017	395'525-74	Tension Disc (R)
28	30154	395'525-75	Tension Collar
29	30022	395'525-76	Tension Releasing Lever
30	12481	395'525-77	Tension Spring
31	12482	395'525-78	Tension Adjusting Screw
32	30021	395'525-79	Tension Plate
33	N12483	395'525-80	Tension Adjusting Nut
34	30020	395'525-81	Tension Dial Shaft
35	11137	395'521-14	Wave Washer (6x11x1.0)
36	10361	395'520-95	Washer (6x12x0.6)
37	7492	395'523-00	Snap Ring (5x11x0.6)
38	30027	395'525-82	Check Spring
39	30029	395'525-83	Check Spring Cover
40	S11431	395'525-84	Set Screw (Pan:M3x0.5x14)
41	30128	395'525-85	Thread Route Guide
42	S11697	396'205-84	Set Screw (Bind:M3x0.5x4)
43	S30123	395'525-69	Set Screw (Bind:M4x0.7x12)
44	30079	395'525-87	Stitch Width Lever Holder
45	30031	395'525-88	Stitch Width Lever
46	30058	395'525-89	Stitch Width Lever Base
47	S2812	395'520-12	Set Screw (Bind:M4x0.7x8)
48	S12886	395'525-90	Set Screw (M3x0.5x8w/Washer)
49	S12785	395'525-91	Set Screw (Bind:M4x0.7x12)
50	30012	395'525-92	Front Panel Base
51	30011	395'525-93	Front Panel
52	30035	395'525-94	Light Cover
53	30026	395'525-95	Heat Reflector
54	S90810	395'520-35	Set Screw (Bind:M4x0.7x8)
55a	30112	395'525-96	Terminal Cover (USA,CDN)
55b	30120	395'525-97	Terminal Cover (CH,D,F,A,AUS,NZ,)
56	30063	395'525-98	Thread Guide Assy.
57	S2890	396'204-57	Set Screw (Bind:M4x0.7x6)
58	30069	395'525-99	Carrying Handle
59	30070	395'526-00	Carrying Handle Pin
60	30071	395'526-01	Carrying Handle Holder (L)
61	30072	395'526-02	Carrying Handle Holder (R)
62	S2890	396'204-57	Set Screw (Bind:M4x0.7x6)
63	30073	395'526-03	Spool Pin
64	30074	395'526-04	Spool Cap
65	30129	395'526-05	Needle Plate Assy. (Incl. 66)
66	30196	395'526-06	Bobbin Cover Plate
67	S30201	395'526-07	Needle Plate Set Screw
68	30192	395'526-08	Extension Table

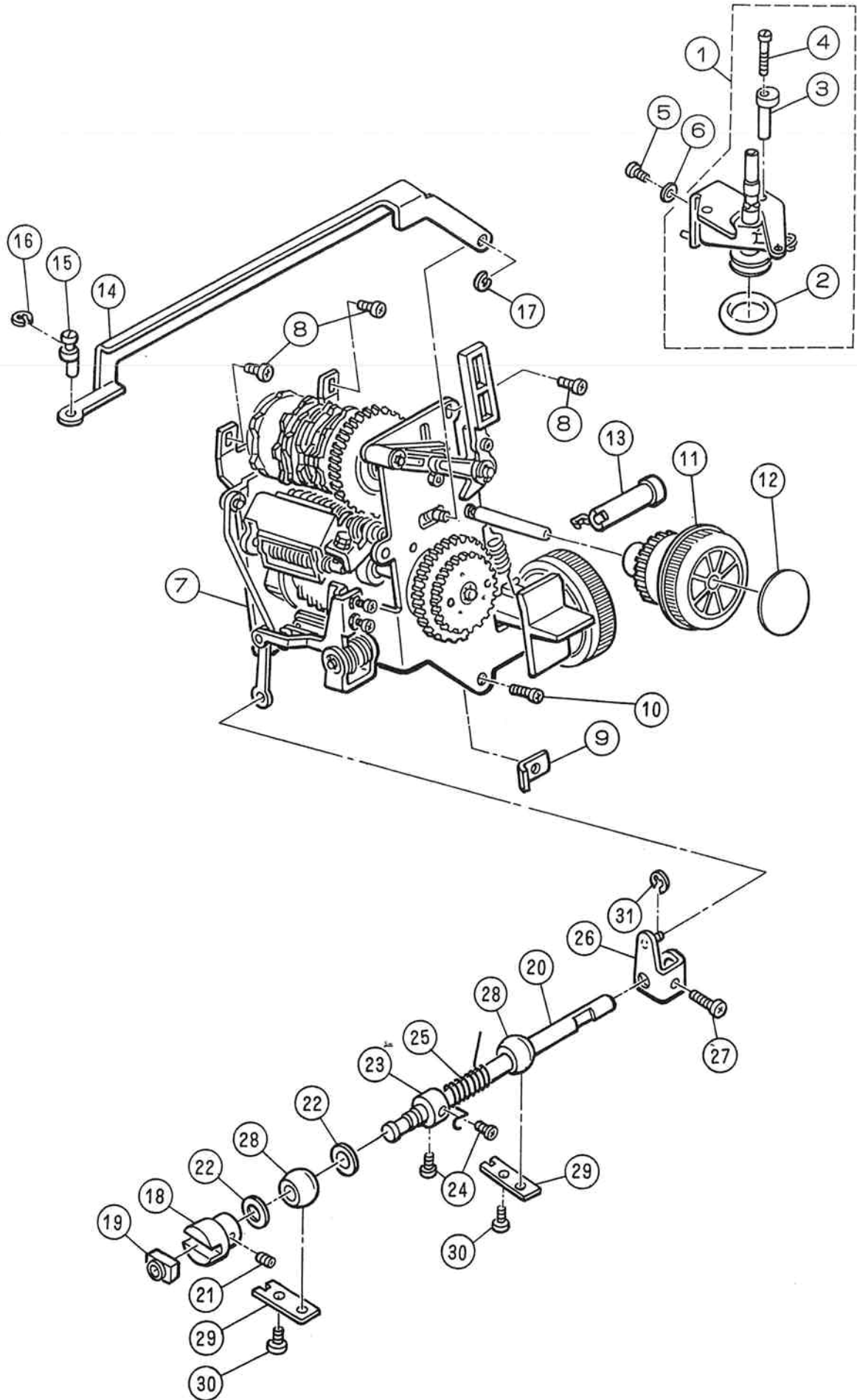


<u>Ref. No.</u>	<u>Happy's Part No.</u>	<u>Tavaro's Part No.</u>	<u>Name of Part</u>
*	30037	395'526-09	Needle Bar Guide Bracket Assy. (Incl. 1-32)
1	30038	395'526-10	Needle Bar Guide Bracket
2	30039	395'526-11	Guide Bracket Shaft
3	S12544	396'205-64	Set Screw (Hex Socket:M4x0.7x4)
*	30041	395'526-13	Needle Bar Guide Assy.. (Incl.4-10)
4	30042	395'526-14	Needle Bar Guide
5	30048	395'526-15	Needle Bar
6	13068	395'526-16	Needle Clamp
7	60231	395'526-17	Needle Bar Thread Guide
8	S12040	395'526-18	Needle Bar Thread Guide Set Screw
9	30049	395'526-19	Needle Bar Clank Rod Assy.
10	S12544	396'205-64	Set Screw (Hex Socket:M4x0.7x4)
11	30043	395'526-20	Needle Bar Guide Fulcrum Shaft
12	S12544	396'205-64	Set Screw (Hex Socket:M4x0.7x4)
13	4993	395'520-03	Snap Ring (4x9x0.6)
14	30028	395'526-21	Needle Bar Guide Limiting Plate
15	S2808	395'520-11	Set Screw (Pan: M4x0.7x5)
16	30051	395'526-22	Presser Foot Lifter
17	30052	395'526-23	Presser Foot Lifter Fulcrum Shaft
18	4993	395'520-03	Snap Ring (4x9x0.6)
19	30040	395'526-24	Presser Foot Lifter Fulcrum Shaft Holder
20	S2890	396'204-57	Set Screw (Bind: M4x0.7x6)
21	30054	395'526-25	Presser Bar
22	30053	395'526-26	Presser Bar Spring
23	30055	395'526-27	Presser Bar Guide Bracket
24	S30056	395'526-28	Presser Foot Guide Bracket Set Screw
25	13235	395'526-29	Presser Foot Holder
26	S154	395'522-20	Presser Foot Thumb Screw
27	30023	395'526-30	Tension Release Connecting Plate
28	30024	395'526-31	Connecting Plate Collar
29	S2812	395'520-12	Set Screw (Bind: M4x0.7x8)
30	30167	395'526-32	Connecting Plate Spring
31	30060	395'526-33	Socket Holder
32	S2812	395'520-12	Set Screw (Bind: M4x0.7x8)
33	1208		Needle (HAX1, #14)
34	30057	395'525-37	Ordinary Foot
35	30046	395'526-34	Guide Bracket Shaft Holder
36	S2812	395'520-12	Set Screw (Bind: M4x0.7x8)
37	S30061	395'526-35	Needle Point Adjusting Screw
38	S30138	395'526-36	Set Screw (Hex Socket: M4x0.7x16)
39	6277-1	395'526-37	Washer (5x10x1.0)
40	30047	395'526-38	Needle Bar Guide Spring
*	30082	395'526-39	Main Shaft Assy. (Incl. 41-54)
41	30083	395'526-40	Balance Weight
42	1474	395'522-04	Roll Pin
43	12005	395'526-41	Polyslider (10x15x0.25)
44	30084	395'526-42	Main Shaft Ball Bushing
45	30085	395'526-43	Main Shaft Collar
46	S60466	396'204-96	Set Screw (Hex Socket: M5x0.8x5)
47	30086	395'526-45	Main Shaft
48	30087	395'526-46	Main Shaft Pulley
49	S60466	396'204-96	Set Screw (Hex Socket: M5x0.8x5)
50	30088	395'526-47	Flywheel Bushing
51	S60466	396'204-96	Set Screw (Hex Socket: M5x0.8x5)
52	30089	395'526-48	Worm Wheel
53	S12544	396'205-64	Set Screw (Hex Socket: M4x0.7x4)
54	30045	395'526-49	Main Shaft Washer
55	30096	395'526-50	Main Shaft Bushing Holder (R)
56	30125	395'526-51	Main Shaft Bushing Holder (L)
57	30010	395'526-52	Front Cover Supporter
58	N10944	395'521-17	Front Cover Supporter Push Nut
59	S2890	396'204-57	Set Screw (Bind: M4x0.7x6)
60	30025	395'526-53	Thread Take-up Lever Assy.
61	BS6/6	395'526-54	Take-up Lever Assy. Set Screw
62	30100	395'526-55	Take-up Lever Pin Holder
63	S2890	396'204-57	Set Screw (Bind: M4x0.7x6)
64	30102	395'526-56	Flywheel
65	30103	395'526-57	Stop Motion Knob
66	1303	395'522-08	Stop Motion Knob Washer
67	S300	395'520-47	Stop Motion Knob Set Screw



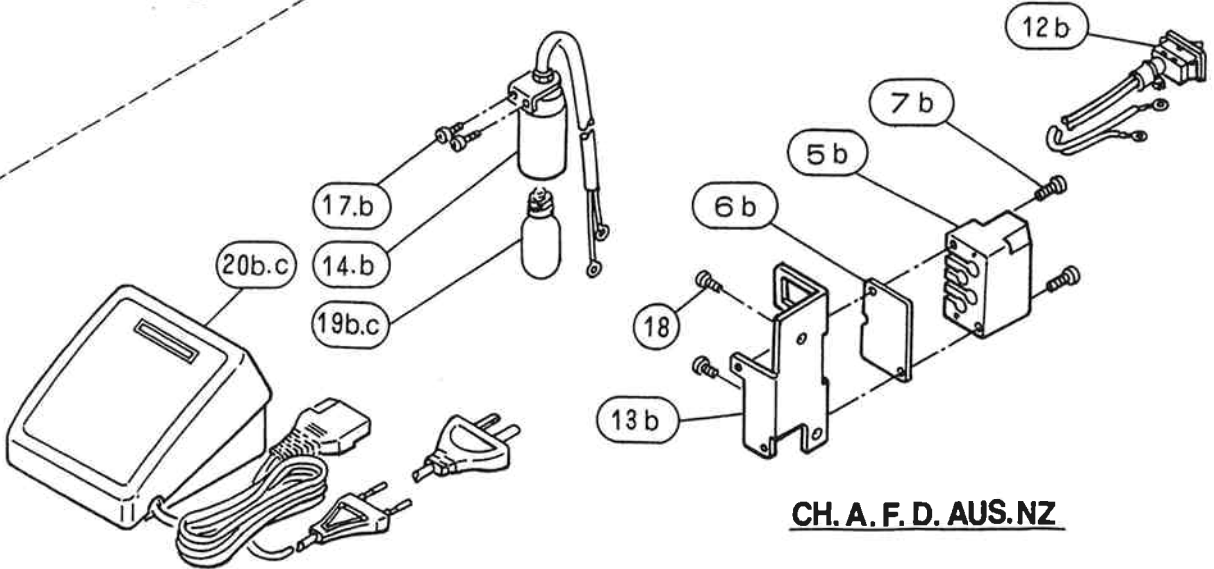
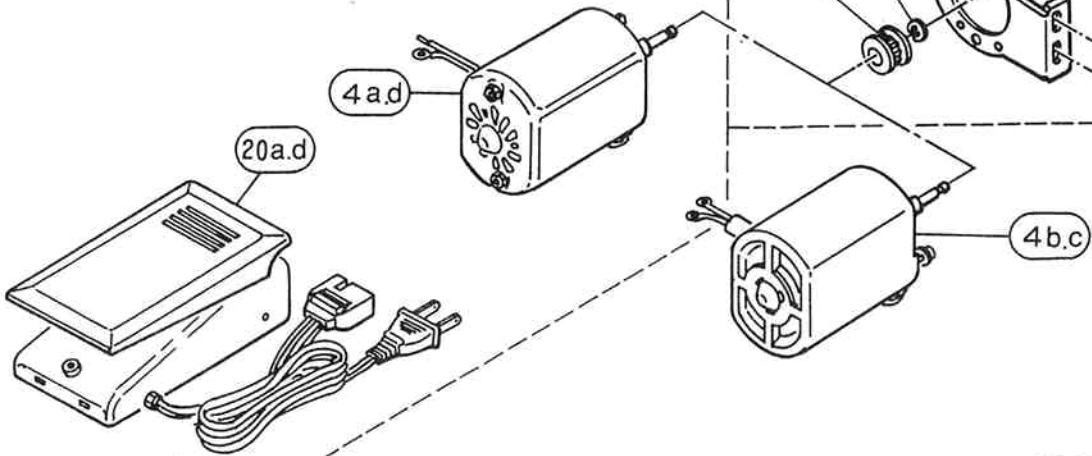
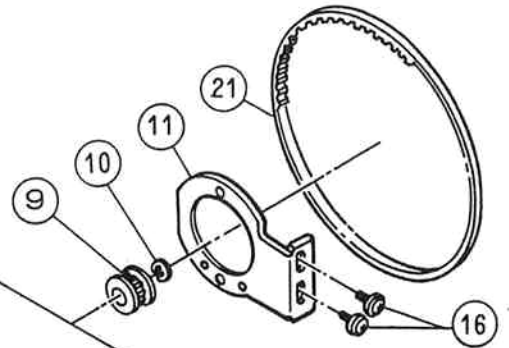
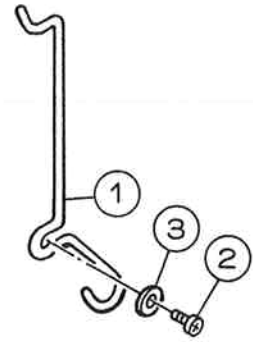
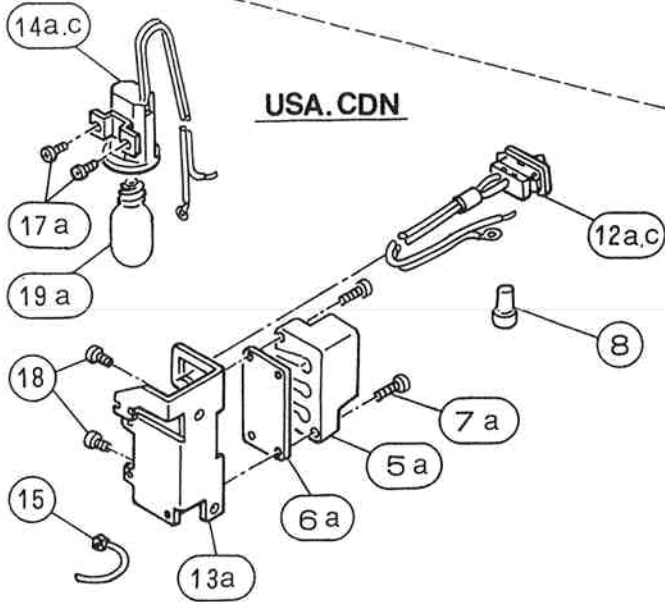
<u>Ref. No.</u>	<u>Happy's Part No.</u>	<u>Tavaro's Part No.</u>	<u>Name of Part</u>
1	30092	395'526-58	Belt Tension Regulator Assy. (Incl. 2-4)
2	91451	395'526-59	Belt Tension Wheel
3	7156	395'520-04	Snap Ring (6x12x0.8)
4	S2890	396'204-57	Set Screw (Bind: M4x0.7x6)
5	S2890	396'204-57	Set Screw (Bind: M4x0.7x6)
*	30130	395'526-60	Bobbin Holder Unit (Incl. 6-19)
6	30137	395'526-61	Bobbin Holder Base w/Pins
7	S60466	396'204-96	Bobbin Holder Base Set Screw
8	30156	395'526-62	Gear Cover
9	S11697-B	395'526-63	Set Screw (Bind: M3x0.5x4)
10	30113	395'526-64	Hook Race Assy.
11	30131	395'526-65	Hook Race Shaft
12	30133	395'526-66	Washer
13	30134	395'526-67	Polyslider (9.5x6.5x0.5)
14	30135	395'526-68	Oil Wick (1)
15	30136	395'526-69	Oil Wick (2)
16	30118	395'526-70	Magnet
17	30119	395'526-71	Bobbin Holder
18	30139	395'526-72	Bobbin Holder Stopper
19	S11697-B	395'526-63	Set Screw (Bind: M3x0.5x4)
20	30222	494'430	Bobbin
21	S10706	395'526-73	Set Screw (Bind: M4x0.7x14)
*	30175	395'526-74	Lower Shaft Assy. (Incl. 22-38)
22	30176	395'526-75	Lower Shaft
23	30177	395'526-76	Lower Shaft Ball Bushing
24	30178	395'526-77	Lower Shaft Collar
25	S12544	396'205-64	Set Screw (Hex Socket: M4x0.7x4)
26	60254	396'204-33	Polyslider (8x12x0.3)
27	60204	395'526-79	Snap Ring (7x14x0.8)
28	30179	395'526-80	Feed Rocking Cam
29	30180	395'526-81	Rocking Cam Pin
30	30181	395'526-82	Feed Rocking Cam Spring
31	30182	395'526-83	Lower Shaft Gear
32	S60466	396'204-96	Set Screw (Hex Socket: M5x0.8x5)
33	30184	395'526-84	Feed Cam
34	30183	395'526-85	Feed Cam Collar
35	S90932	395'524-27	Set Screw (Hex Socket: M4x0.7x6)
36	60204	395'526-79	Snap Ring (7x14x0.8)
37	30185	395'526-86	Lower Shaft Belt Pulley
38	S60466	396'204-96	Set Screw (Hex Socket: M4x0.7x6)
39	30186	395'527-32	Lower Shaft Bushing Holder
40	S2890	396'204-57	Set Screw (Bind: M4x0.7x 6)
41	30091	395'526-87	Timing Belt (XL160)
*	30158	395'526-88	Feed Shaft Assy. (Incl. 42-66)
42	30159	395'526-89	Feed Shaft Guide
43	30160	395'526-90	Feed Shaft
44	30161	395'526-91	Feed Dog Base
45	30162	395'526-92	Feed Base Fulcrum Pin (R)
46	30163	395'526-93	Feed Base Fulcrum Pin (L)
47	S12544	396'205-64	Set Screw (Hex Socket: M4x0.7x4)
48	7492	395'523-00	Snap Ring (5x11x0.6)
49	12365	395'526-94	Polyslider (7.5x12x0.25)
50	30168	395'526-95	Feed Shaft Collar
51	S12544	396'205-64	Set Screw (Hex Socket: M4x0.7x4)
52	30164	395'526-96	Feed Dog
53	S2868	395'525-32	Set Screw (Bind: M3.5x0.6x6)
54	30165	395'526-97	Feed Driving Cam Follower
55	S30166	395'526-98	Cam Follower Hinge Screw
56	6277-4	395'520-89	Washer (5x10x0.4)
57	12006	395'526-99	Wave Washer (5x10x0.8)
58	S30153	395'527-00	Adjusting Screw (Pan: M3x0.5x8)
59	N13189	395'527-01	Hex Nut (M3x0.5x7)
60	30169	395'527-02	Forked Cam Follower
61	30170	395'527-03	Forked Cam Follower Pin
62	S12544	396'205-64	Set Screw (Hex Socket: M4x0.7x4)
63	30172	395'527-04	Slide Block Shaft
64	4993	395'520-03	Snap Ring (4x9x0.6)
65	S12544	396'205-64	Set Screw (Hex Socket: M4x0.7x4)
66	30167	395'526-32	Feed Dog Base Spring
67	30157	395'527-07	Hook for Spring
68	30173	395'527-08	Feed Shaft Holder (R)
69	30174	395'527-09	Feed Shaft Holder (L)
70	S2890	396'204-57	Set Screw (Bind: M4x0.7x6)





<u>Ref. No.</u>	<u>Happy's Part No.</u>	<u>Tavaro's Part No.</u>	<u>Name of Part</u>
1	30075	395'527-10	Bobbin Winder Assy. (Incl. 2-4)
2	1352	395'521-35	Rubber Ring
3	30081	395'527-11	Limiting Pipe
4	S10848	395'527-12	Limiting Pipe Set Screw
5	S10706	395'526-73	Set Screw (Bind: M4x0.7x14)
6	7240	396'203-49	Washer
7	30210	395'527-15	Z/Z Unit Assy.
8	S2890	396'204-57	Set Screw (Bind: M4x0.7x6)
9	N30194	395'527-16	Z/Z Unit Nut
10	S2810	395'527-17	Set Screw (Bind: M4x0.7x10)
11	30212	395'527-18	Stitch Selection Dial
12	30213	395'527-19	Stitch Selection Cap
13	30127	395'527-20	Forward/Reverse Adjusting Knob
14	30205	395'527-21	Needle Bar Guide Rod
15	30206	395'527-22	Needle Bar Guide Eccentric Pin
16	7221	395'520-05	Snap Ring (3x7x0.6)
17	7221	395'520-05	Snap Ring (3x7x0.6)
*	30187	395'527-23	Feed Regulator Assy. (Incl. 18-28)
18	30188	395'527-24	Feed Regulator
19	30189	395'527-25	Feed Slide Block
20	30190	395'527-26	Feed Regulator Shaft
21	S90932	395'524-27	Set Screw (Hex Socket: M4x0.7x6)
22	60254	396'204-33	Polyslider (8x12x0.3)
23	30178	395'526-77	Feed Regulator Collar
24	S90855	395'520-37	Set Screw (Pan: M4x0.7x10)
25	30191	395'527-29	Feed Regulator Spring
26	30193	395'527-30	Feed Regulator Arm
27	S2812	395'520-12	Set Screw (Bind: M4x0.7x6)
28	30177	395'526-76	Ball Bushing
29	30186	395'527-32	Ball Bushing Holder
30	S2890	396'204-57	Set Screw (Bind: M4x0.7x6)
31	7221	395'520-05	Snap Ring (3x7x0.6)

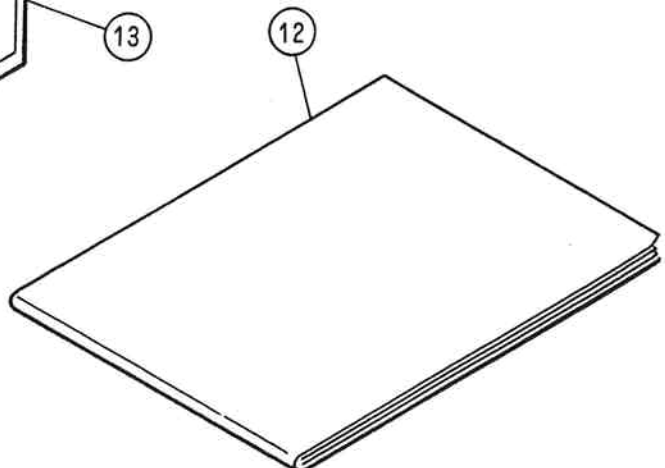
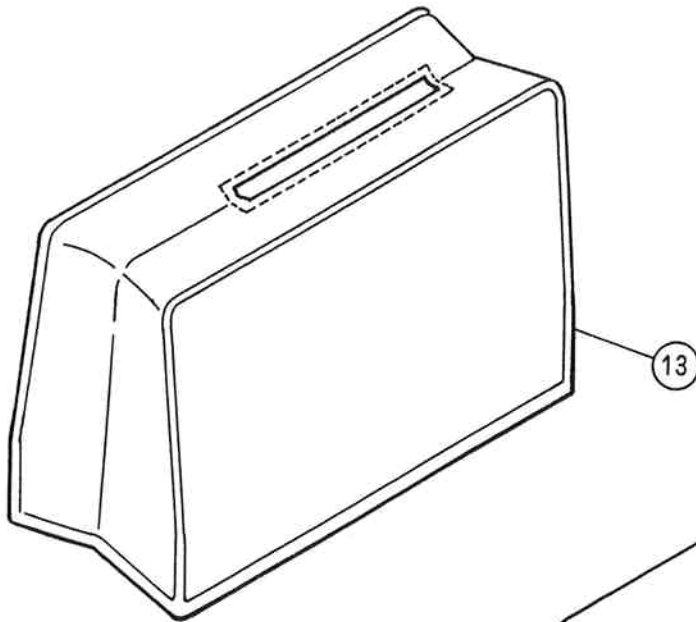
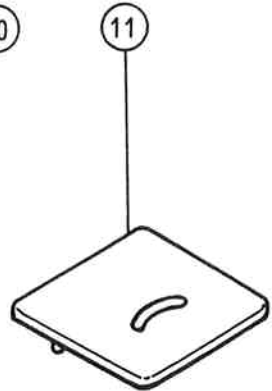
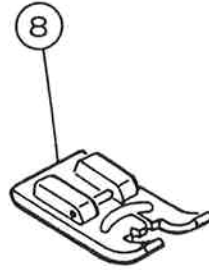
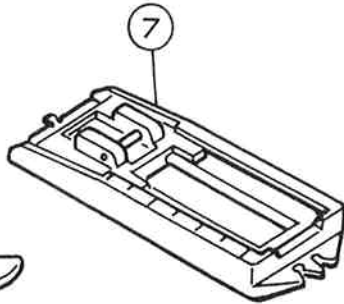
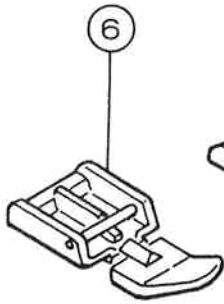
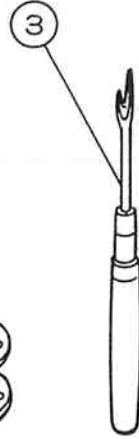
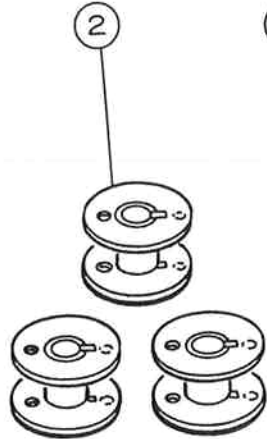
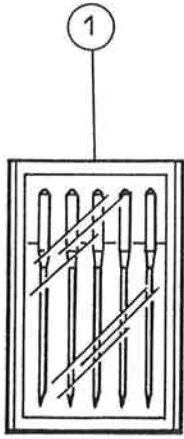
USA.CDN



CH.A.F.D. AUS.NZ

<u>Ref. No.</u>	<u>Happy's Part No.</u>	<u>Tavaro's Part No.</u>	<u>Name of Part</u>
1	30171	395'527-33	Cord Guide
2	S2890	396'204-57	Set Screw (Bind: M4x0.7x6)
3	7240	396'203-49	Washer (4.5x10x0.8)
4a	30105	395'527-43	Motor (USA)
4b	30115	395'527-44	Motor (CH, A, F, D)
4c	30143	395'527-45	Motor (AUS, NZ)
4d	30149	395'527-46	Motor (CDN)
5a	10926-B	395'523-52	Terminal Box (USA, CDN)
5b	91473	395'524-69	Terminal Box (A, F, D, AUS, NZ)
6a	10842	395'523-53	Insulating Plate (USA, CDN)
6b	90748	395'527-47	Insulating Plate (A, F, D, AUS, NZ)
7a	S90653	395'527-48	Set Screw (Pan: M3x0.5x16) (USA, CDN)
7b	S10883	395'520-76	Set Screw (CH, A, F, D, AUS, NZ)
8	30124	395'527-49	Terminal Connector (USA, CDN only)
9	30106	395'527-50	Motor Pulley
10	7221	395'520-05	Snap Ring (3x7x0.6)
11	30108	395'527-51	Motor Bracket
12a	30109	395'527-52	Power Switch (USA)
12b	30116	395'527-53	Power Switch (CH, A, F, D, AUS, NZ)
12c	30150	395'527-54	Power Switch (CDN)
13a	30110	395'527-55	Terminal Bracket (USA, CDN)
13b	30117	395'527-56	Terminal Bracket (CH, A, F, D, AUS, NZ)
14a	90489-J	395'527-57	Sewing Light (USA)
14b	12251-E	395'527-58	Sewing Light (CH, A, F, D, AUS, NZ)
14c	90489-K	395'527-59	Sewing Light (CDN)
15	11380	395'522-74	Cord Band (USA, CDN only)
16	S12988	395'527-60	Set Screw (Tras: M5x0.8x14 w/Washer)
17a	S2840	395'520-71	Set Screw (Pan:M3x0.5x6) (USA, CDN)
17b	S2802	395'527-70	Set Screw (Pan: M3x0.5x4) (CH, A, F, D, AUS, NZ)
18	S12785	395'525-91	Set Screw (Bind: M4x0.7x12)
19a	8954-C	395'297-02	Light Bulb (USA, CDN)
19b	91195	395'297-00	Light Bulb (CH, A, F, D)
19c	10396	395'297-01	Light Bulb (AUS, NZ)
20a	30107	395'527-61	Foot Controller (USA)
20b	30122	395'527-62	Foot Controller (CH, A, F, D)
20c	30144	395'527-63	Foot Controller (AUS, NZ)
20d	30151	395'527-64	Foot Controller (CDN)
21	30090	395'527-65	Motor Belt
22a	30104	395'527-39	Motor Assy. (USA) (Incl. 4-8)
22b	30114	395'527-40	Motor Assy. (CH, A, F, D) (Incl. 4-7)
22c	30142	395'527-41	Motor Assy. (AUS, NZ) (Incl. 4-7)
22d	30148	395'527-42	Motor Assy. (CDN) (Incl. 4-8)
23a	30036	395'527-35	Motor & Light Assy. (USA) (Incl. 4-15)
23b	30111	395'527-36	Motor & Light Assy. (CH, A, F, D) (Incl. 4-14)
23c	30141	395'527-37	Motor & Light Assy. (AUS, NZ) (Incl. 4-14)
23d	30147	395'527-38	Motor & Light Assy. (CDN) (Incl. 4-15)

6



<u>Ref. No.</u>	<u>Happy's Part No.</u>	<u>Tavaro's Part No.</u>	<u>Name of Part</u>
1	90866	424'451	Needle Assortment
2	30222	494'430	Bobbin
3	2024-T	494'230	Seam Ripper
4	2001-T	395'522-92	Screwdriver
5	90903	494'221	Brush
6	90867	395'285-01	Zipper Foot
7	12925	395'525-35	Buttonhole Foot
8	30217	395'525-38	Satin Stitch Foot
9	30218	395'525-36	Blind Stitch Foot
10	90769	395'522-97	Oiler
11	30214	395'525-39	Darning Plate
12a	30223GF	395'531-37	Instruction Book (German/French)
12b	30223EF	395'532-37	Instruction Book (English/French)
12c	30223DN	395'533-42	Instruction Book (Danish/Norwegian)
12d	30223FS	395'535-44	Instruction Book (Finnish/Swedish)
12e	30223FD	395'537-39	Instruction Book (French/Dutch)
12f	30223FI	395'537-41	Instruction Book (French/Italian)
13	30225	395'527-66	Dust Cover
	1047	426'365	Felt Washer
	30209	395'525-40	Extra Spool Pin