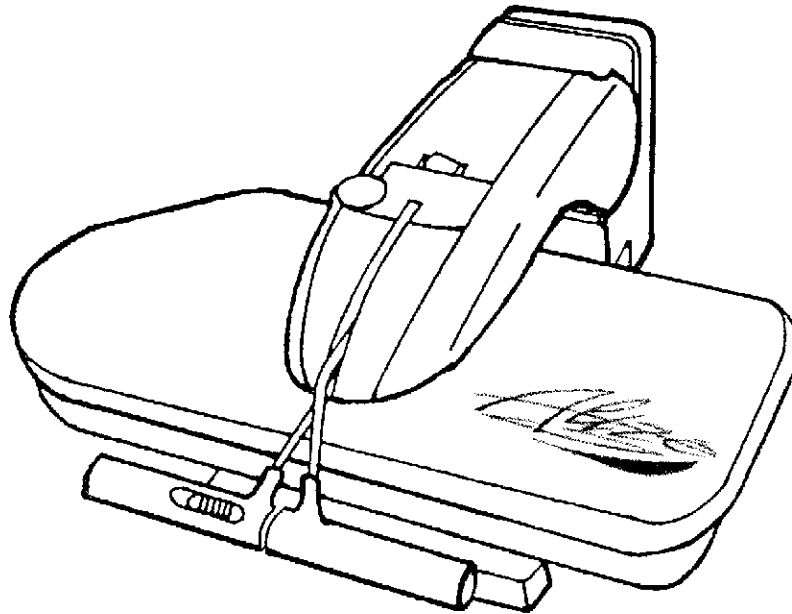


EP 1500

Alizé

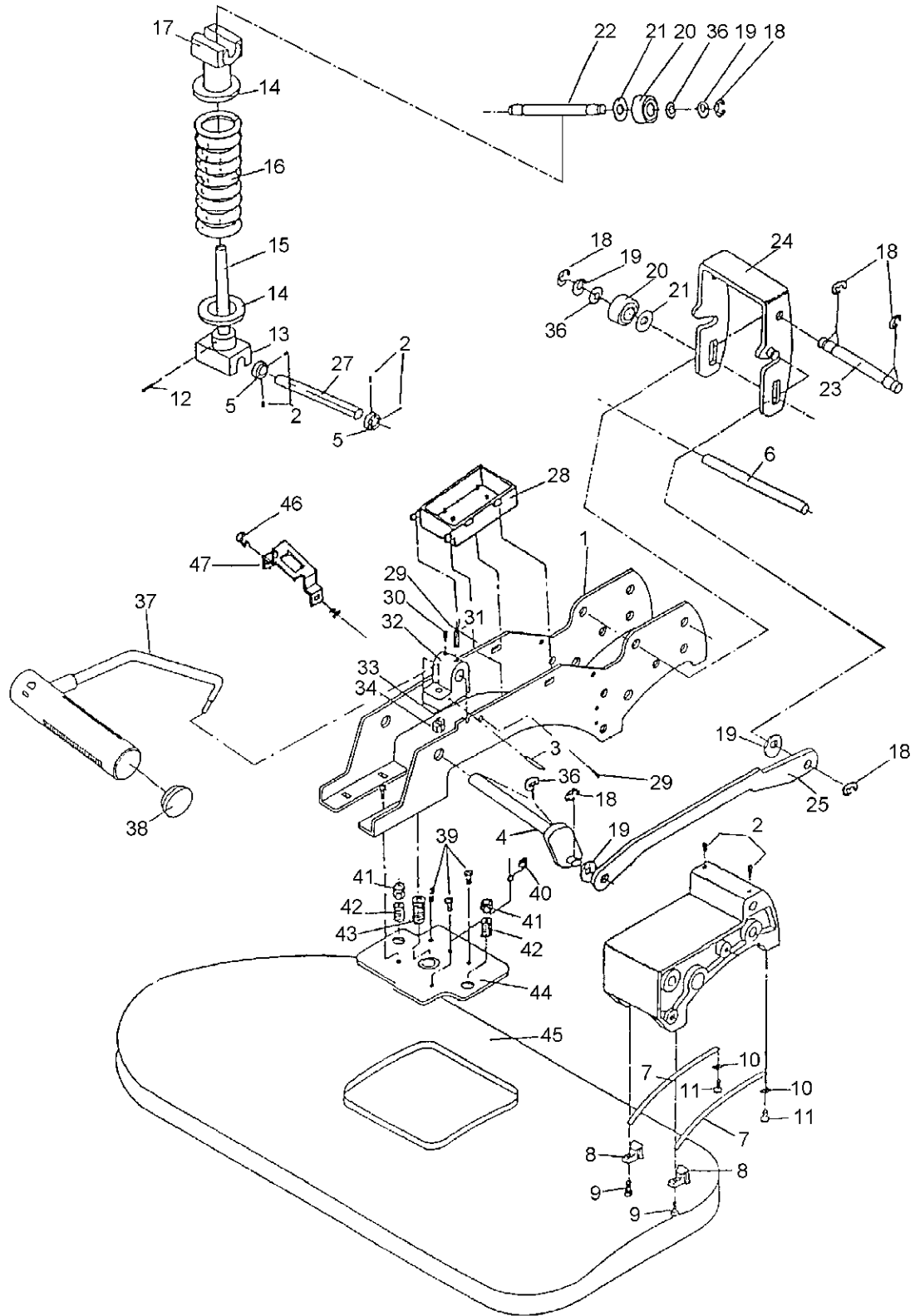


**PIECES DE RECHANGE
ERSATZTEILE
SPARE PARTS
PIEZAS DE RECAMBIO**

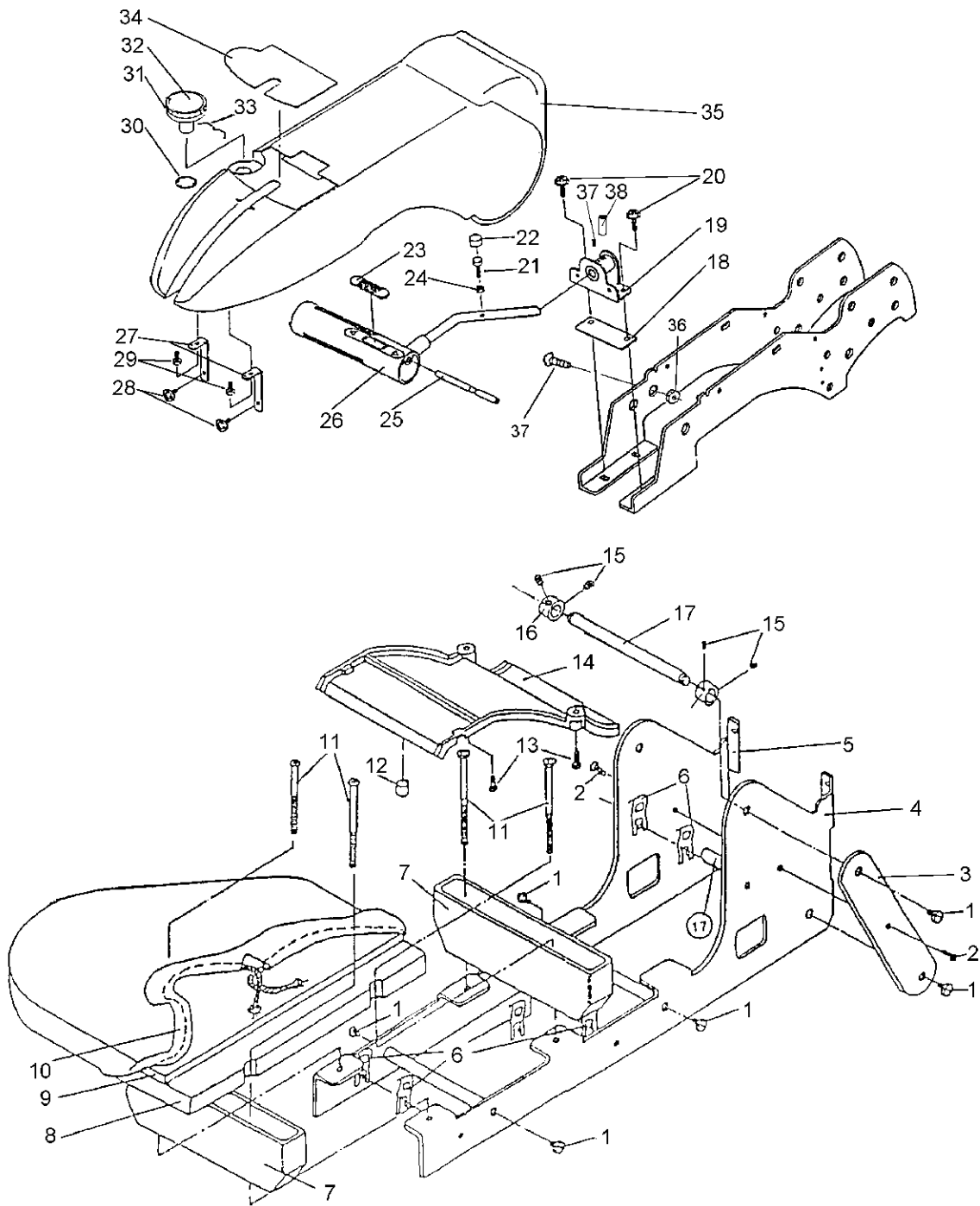
INDEX

- 1 Index
- 2 Pressure arm base, pressure spring, movable handle, heating shoe cover
- 3 Bottom plates, wooden board, upper cover, fixed handle
- 4 Bottom plates, switch, PC board, cables
- 5 Bottom covers, bottom plates, electric rating plate
- 6 Heating element, heating shoe, thermostat
- 7 Power cord, instruction manual, accessories

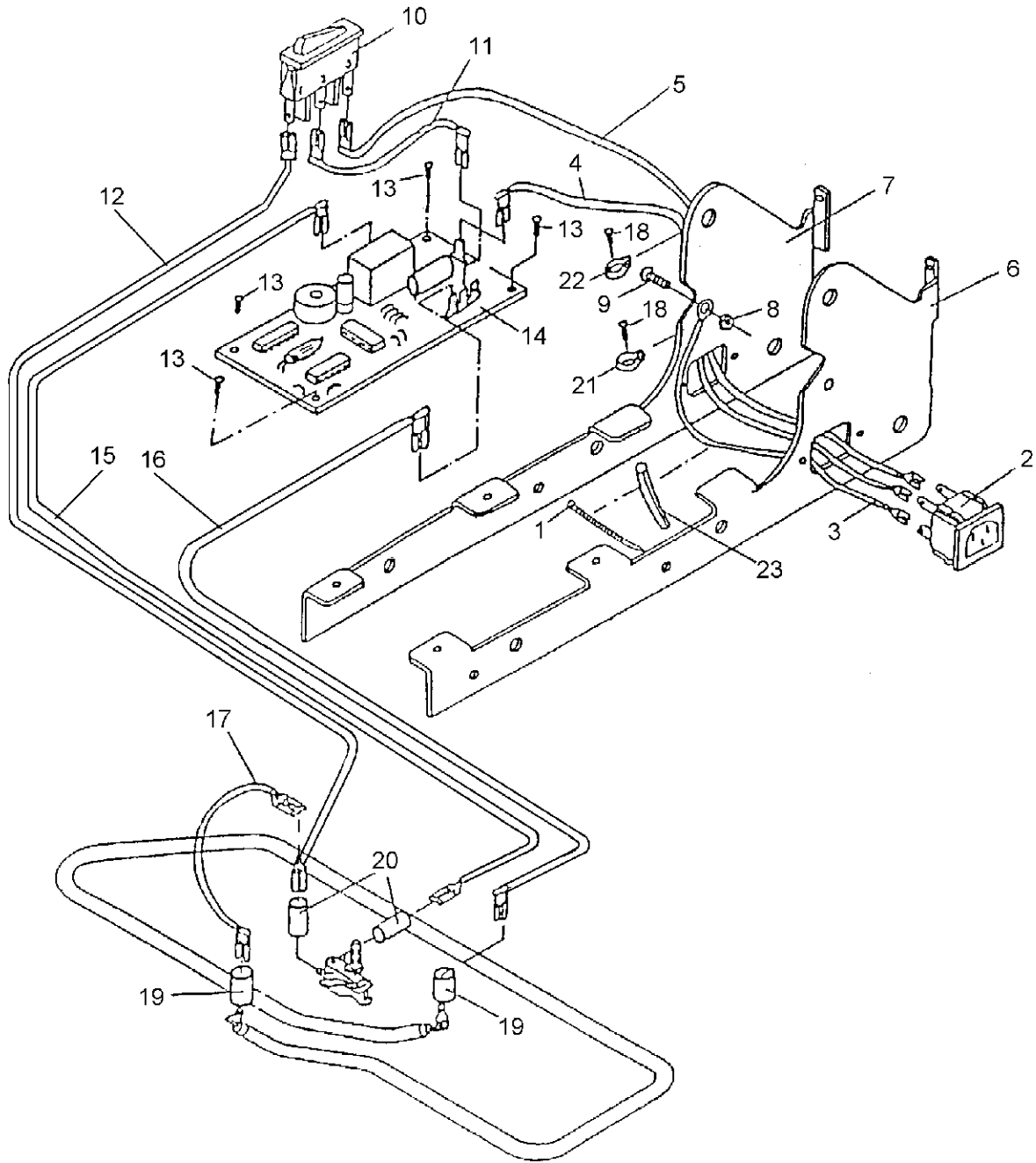
1	397'011-50	Pressure Arm Base
2	395'621-00	Set Screw
3	395'620-43	Spring Pin 3 x 18
4	397'010-27	Movable Handle Shaft
5	397'010-28	Base Collar
6	397'010-29	Shaft
7	397'010-30	Track Blade
8	397'010-31	Track Stopper
9	397'010-32	Set Screw
10	397'010-33	Track Pressure Plate
11	397'010-34	Set Screw
12	397'010-35	Spring Pin
13	397'010-36	Spring base
14	397'010-37	Washer Ring
15	397'010-38	Lead Shaft
16	397'010-39	Pressure Spring
17	397'010-40	Spring base
18	395'622-36	Snap Ring 6D
19	397'010-41	Washer
20	397'010-42	Bearing
21	397'010-43	Washer
22	397'010-44	Bearing Shaft
23	397'010-45	Shaft
24	397'010-46	Movement Rod
25	397'010-47	Connecting Rod
27	397'010-48	Center Shaft
28	397'010-49	PC Board Box
29	397'010-50	Set Screw
30	395'620-95	Set Screw
31	395'620-87	Spring Pin 4 x 20
32	397'010-51	Connector
33	397'010-52	Spring Washer
34	397'010-53	Nut
35	397'010-54	Snap Ring
36	397'010-55	Snap Ring
37	397'011-51	Handle
38	397'011-52	Handle Clip
39	395'620-21	Set screw
40	397'010-58	Wire Fixation
41	397'010-53	Nut
42	397'010-59	Spring
43	397'010-60	Set Screw
44	397'010-61	Hanging Plate
45	397'011-53	Heating Shoe Cover
45	397'011-80	Heating Shoe Cover (Alizé)
46	397'011-54	Set Screw
47	397'011-55	Switch Supporter Plate
48	397011-98	Handle complet



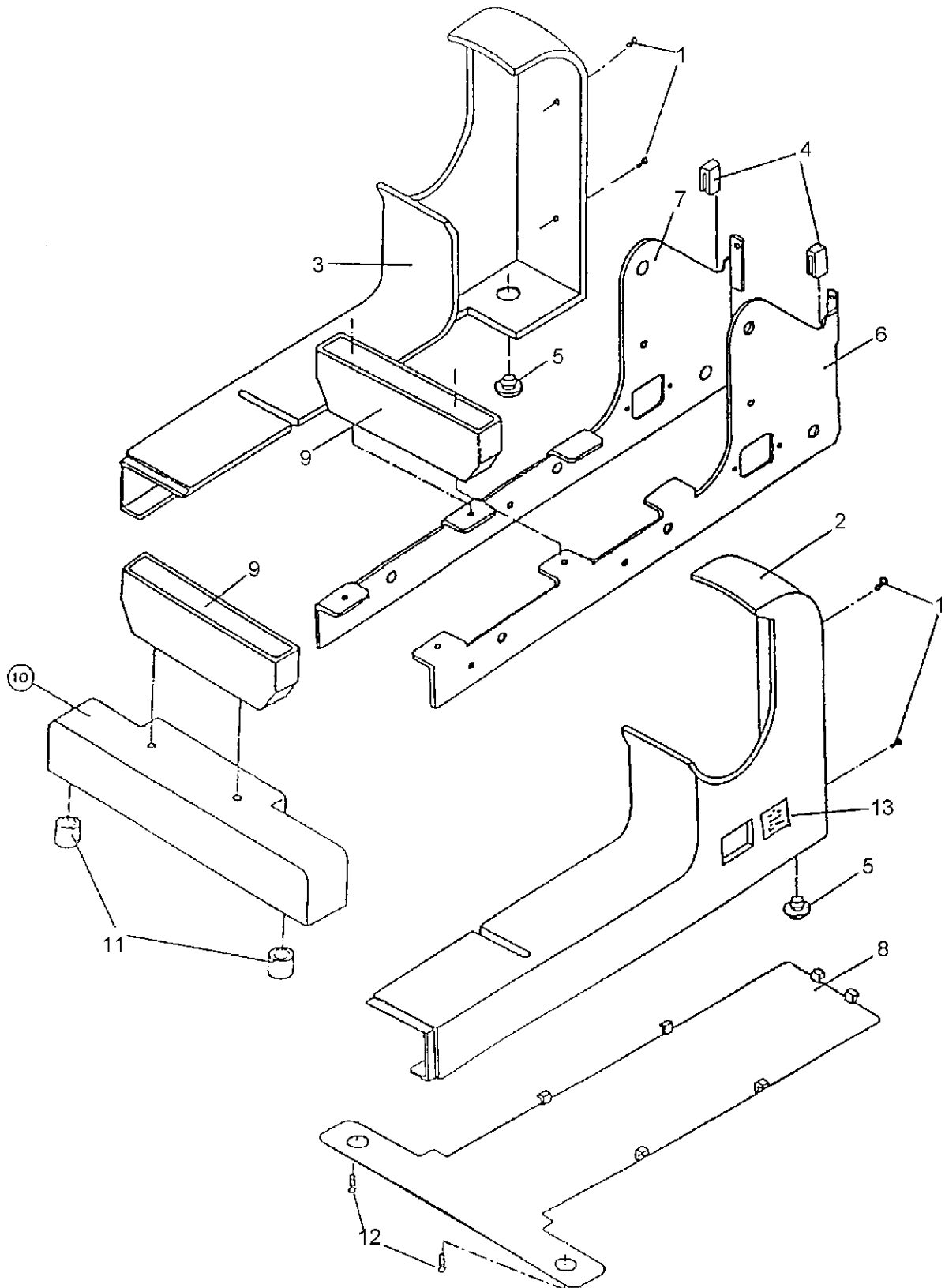
1	397'010-65	Set Screw
2	395'624-01	Set Screw
3	397'010-66	Reinforcement Plate
4	397'010-67	Bottom Plate R
5	397'010-68	Bottom Plate L
6	395'623-65	Panel Fixation
7	397'010-69	Supporting Box
8	397'010-70	Wooden Board
9	397'010-02	Padding Foam
10	397'010-03	Board Cover
11	397'010-71	Set Screw
12	397'010-72	Extension Rubber
13	397'010-50	Set Screw
14	397'010-73	Lower Cover
15	395'621-00	Set Screw
16	397'010-28	Base Collar
17	397'010-48	Center Shaft
18	397'011-56	Heat Reflecting Sheet
19	397'011-57	Fixed Handle Base
20	397'011-58	Set Screw
21	397'011-59	Positioning Shaft
22	397'011-60	Extension Rubber
23	397'011-61	Lock Knob
24	395'620-42	Nut
25	397'011-62	LockKnob
26	397'011-63	Fixed Handle
27	397'011-64	Top Cover Fixed Plate
28	395'621-06	Set Screw
29	395'620-47	Set Screw
30	397'010-80	Snap Ring
31	397'011-65	Temperature controller dial
32	397'011-66	Temperature indicating plate
32	397'011-81	Temperature indicating plate (Alizé)
33	397'011-67	Spring
34	397'011-68	Temperature dial panel
34	397'011-82	Temperature dial panel (Alizé)
35	397'011-69	Upper Cover
36	395620-95	Screw
37	395620-87	Spring pin



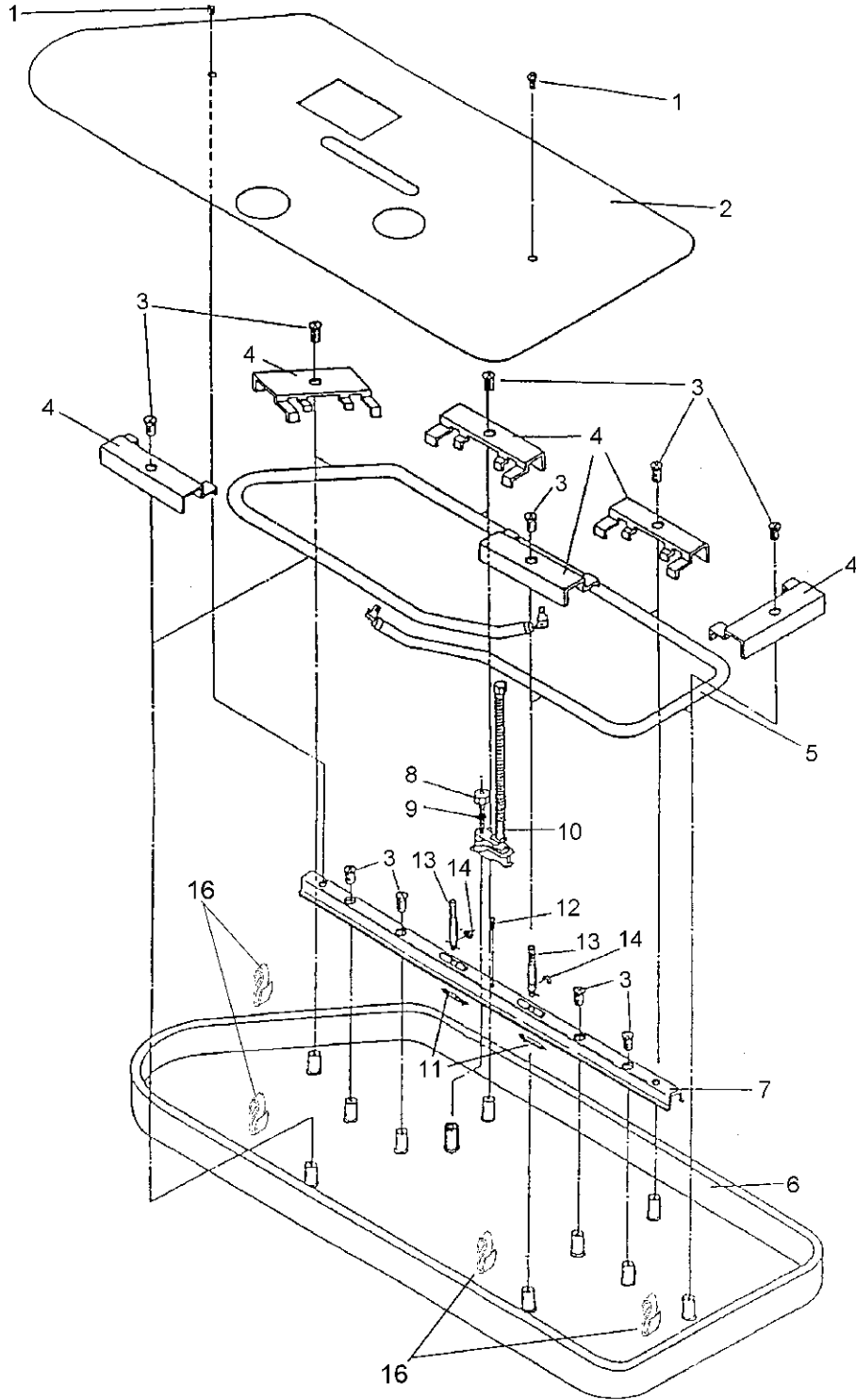
1	397'010-89	Band
2	397'010-90	Receptacle
3	397'010-91	Earth Wire
4	397'010-92	Power Connecting Wire
4	397'011-83	Power Connecting Wire (Alizé)
5	397'010-93	Power Connecting Wire
6	397'010-67	Bottom Plate R
7	397'010-68	Bottom Plate L
8	395'622-98	Nut
9	395'624-01	Set Screw
10	397'011-70	On-Off Switch
11	397'010-95	Connecting Wire
12	397'010-96	Heat Resistant Wire
13	397'010-50	Set Screw
14	397'010-97	PC Board 220V-240V
14	397'011-84	PC Board 120V
15	397'010-99	Heat ResistantWire A
16	397'011-00	Heat Resistant Wire C
17	397'011-01	Heat Resistant Wire B
18	395'623-12	Set Screw
19	397'011-02	Silicon Tube
20	397'011-03	Silicon Tube
21	397'011-04	Light Cord Fixation
22	395'623-95	Light Cord Fixation
23	397'011-05	Bushing
24	397'011-85	Grounding Wire B
25	397'011-86	Washer
26	397'011-87	Nut
27	397011-99	PC Board 230 V (version 2)
28	397011-97	Power connection for PC board version 2



1	395'623-12	Set Screw
2	397'011-06	Bottom Cover R
3	397'011-07	Bottom Cover L
4	397'011-08	Rubber Washer
5	397'011-09	Plastic Foot
6	397'010-67	Bottom Plate R
7	397'010-68	Bottom Plate L
8	397'011-10	Bottom Cover
9	397'010-69	Supporting Box
10	397'011-11	Supporting Foot
11	397'011-12	Rubber Foot
12	397'011-13	Set Screw
13	397'011-71	Rating Plate
13	397'011-88	Rating Plate (Alizé)
13	377011-94	Rating Plate (Australia)



1	395'620-38	Set Screw
2	397'011-20	Heat Reflector
3	397'011-21	Set Screw
4	397'011-22	Spring Clamp
5	397'011-23	Heating Element (220V-240V)
5	397'011-89	Heating Element (1230V)
6	397'011-25	Heating Shoe
7	397'011-26	Presser Bar
8	397'011'27	Set Screw
9	395'621-43	Wave Washer
10	397'011-28	Thermostat
11	397'011-29	Hanging Rod Pin
12	397'011-30	Supporter
13	397'011-31	Hanging Rod
14	395'621-23	Snap Ring 5D
15	395'011-90	Grounding Wire A (Alizé)
16	397011-49	Clip heating shoe cover



1	397'010-20	Power Cord (CH)
1	397'010-21	Power Cord (CEE)
1	397'010-22	Power Cord (SG/ZA)
1	397'010-23	Power Cord (GB/HK)
1	397'010-24	Power Cord (AUS)
1	397'010-25	Power Cord (USA/CDN)
2	397'010-00	Hand Vaporizer
3	397'002-12	Instruction Manual
4	397'010-01	Ironing Cushion

Not illustrated :

802'450-20	Cleaning Stick
803'531-30	Protection Liquid
397'011-91	Carton Box
397011-95	Styrofoam
806500-50	Vap-o-jet (blanc)

